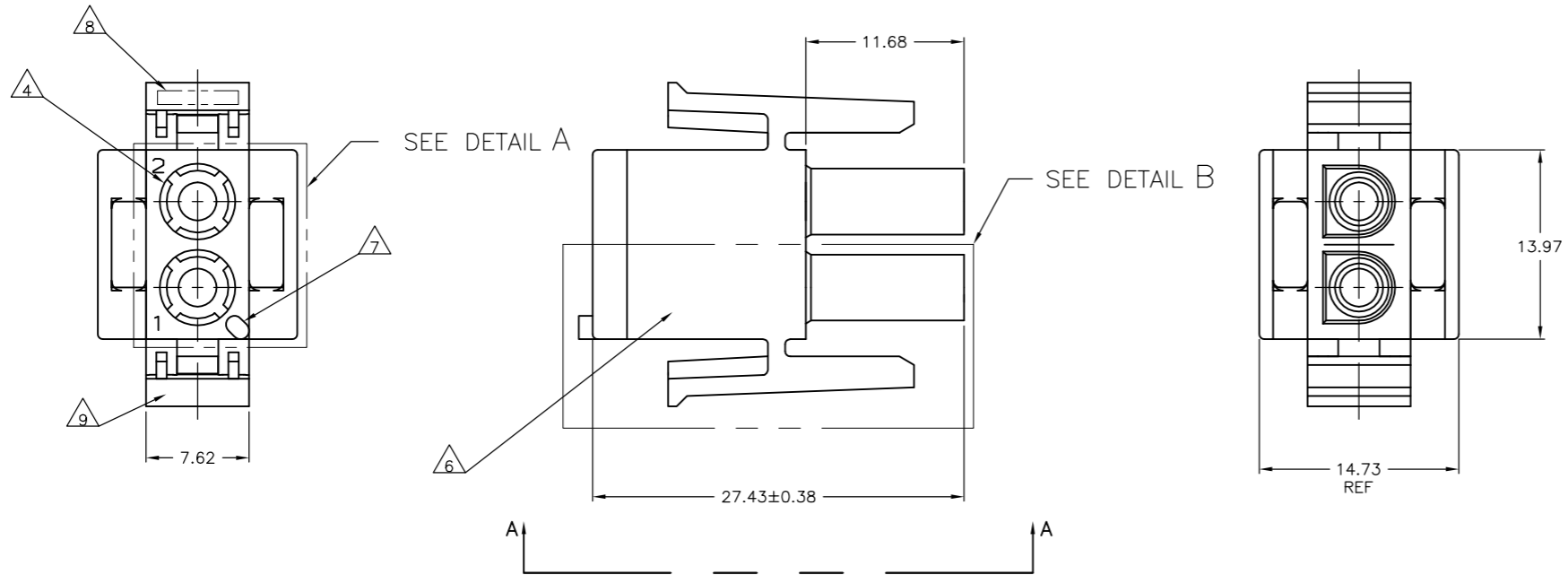


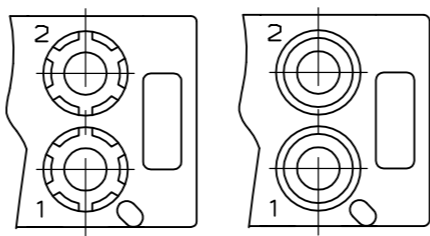
| REVISIONS | | | | |
|-----------|-----|---------------------------|-----------|-------|
| P | LTR | DESCRIPTION | DATE | OWN |
| AD2 | | REVISED PER ECR-17-018148 | 13DEC2017 | SC BH |



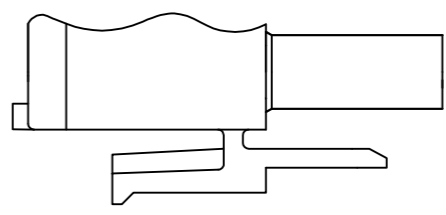
- MATES WITH APPROPRIATE UNIVERSAL MATE-N-LOK™ CAP OR HEADER.
 - SMALL NICKS ARE PERMITTED ON THE CIRCUIT TOWERS WHICH COULD INCREASE THE INITIAL HOUSING MATING FORCE BY UP TO 4.4 NEWTONS [1.0] LBS. NO INDIVIDUAL NICKED TOWER SHALL INCREASE THIS FORCE BY OVER 2.2 NEWTONS [.5] LBS.
 - DIMENSIONS SHOWN REPRESENT PRODUCT IN DRY, AS MOLDED, CONDITION. ADDITIONAL 2% GROWTH DUE TO SUBSEQUENT MOISTURE ABSORPTION MAY OCCUR AND SHOULD BE ACCOUNTED FOR.
- △4 FOUR RIBS EQUALLY SPACED, NO SPECIFIC ORIENTATION, NO RIBS OR SIX RIBS EQUALLY SPACED, NO SPECIFIC ORIENTATION, OPTIONAL.
 - △5 NOT MANUFACTURED IN U.S.
 - △6 UNDERWRITERS RECOGNIZED COMPONENT LOGO AND CSA CERTIFICATION LOGO TO BE LOCATED ONCE ON ANY SIDE OF HOUSING.
 - △7 POSITION #1 LOCATOR FEATURE MAY BE ROUND OR OBLONG (AS DEPICTED).
 - △8 TRADEMARK LOCATION (AMP OR TE CONNECTIVITY) SHOWN FOR CONVENIENCE, LOGO MAY BE ON ANY EXTERNAL SURFACE.
 - △9 MANUFACTURING LOCATION ID (OPTIONAL).
 - △10 MATERIAL: PA66, UL94 V-0, GWIT 775°C



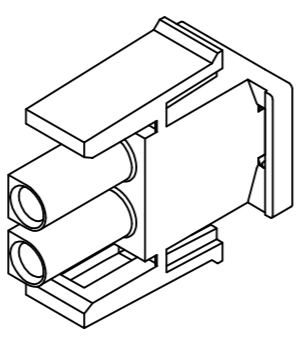
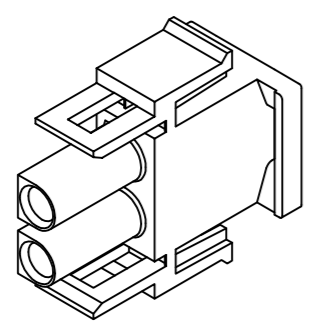
VIEW A-A
350777-4 ONLY



DETAIL A
OPTIONAL CONSTRUCTION



DETAIL B
350777-4 ONLY



| MM | IN |
|-------|-------|
| 27.43 | 1.080 |
| 14.73 | .580 |
| 13.97 | .550 |
| 11.68 | .460 |
| 7.62 | .300 |
| 0.38 | .015 |
| 0.13 | .005 |

CONVERSION TABLE

| | | |
|-----|---------|-------------|
| △10 | NATURAL | 2-350777-1 |
| | BLACK | 1-350777-9 |
| | GRAY | 1-350777-8 |
| | BLUE | 1-350777-6 |
| | GREEN | 1-350777-5 |
| | YELLOW | 1-350777-4 |
| | ORANGE | 1-350777-3 |
| | RED | 1-350777-2 |
| | BROWN | 1-350777-1 |
| △5 | | 350777-4 |
| | NATURAL | 350777-1 |
| | COLOR | PART NUMBER |

THIS DRAWING IS A CONTROLLED DOCUMENT.

| | | | | |
|-----------------|--|---------------------------|--|---|
| DIMENSIONS: | TOLERANCES UNLESS OTHERWISE SPECIFIED: | DRAWN: R. VESTAL 24JAN95 | CHK: R. SWING 24JAN95 | NAME: PLUG, 2 CIRCUIT, UNIVERSAL MATE-N-LOK(TM) |
| mm | 0 PLC ± - 1 PLC ± - 2 PLC ± 0.13 3 PLC ± - 4 PLC ± - ANGLES ± 0.30° | APPROVED: D. SELF 24JAN95 | PRODUCT SPEC: - APPLICATION SPEC: - | SIZE: A1 |
| MATERIAL: NYLON | FINISH: - | WEIGHT: - | CUSTOMER DRAWING | SCALE: 4:1 |

TE Connectivity

SIZE: A1 00779 C=350777

SHEET 1 OF 1 REV AD2

X-ON Electronics

Largest Supplier of Electrical and Electronic Components

Click to view similar products for [Pin & Socket Connectors](#) category:

Click to view products by [TE Connectivity](#) manufacturer:

Other Similar products are found below :

[6450822-1](#) [770392-1](#) [794042-1](#) [796885-1](#) [8-794535-1](#) [PLR3455ACS-222](#) [R929991004](#) [R929993003](#) [1403611-1](#) [1-480349-5](#) [152302-5](#)
[153211-2](#) [1586092-1](#) [1586129-1](#) [1586681-4](#) [1586700-1](#) [1586368-1](#) [1586380-1](#) [1586616-1](#) [1586680-5](#) [16-06-0038](#) [164164-5](#) [1-6609930-1](#)
[172296-1](#) [19-09-2035](#) [200503-1](#) [200788-2](#) [2029090-4](#) [2029095-4](#) [925061-7](#) [293734-4](#) [293737-2](#) [1-765362-4](#) [1871534-1](#) [200833-4](#)
[2008625-2](#) [2029027-2](#) [2029096-4](#) [R929991000](#) [R929991002](#) [R929993000](#) [319-10-101-00-005000](#) [319-10-102-00-001000](#) [319-10-104-00-001000](#) [319-10-105-00-001000](#) [319-10-108-00-001000](#) [319-10-112-00-006000](#) [39-01-8019](#) [319-10-101-00-001000](#) [319-10-102-00-005000](#)