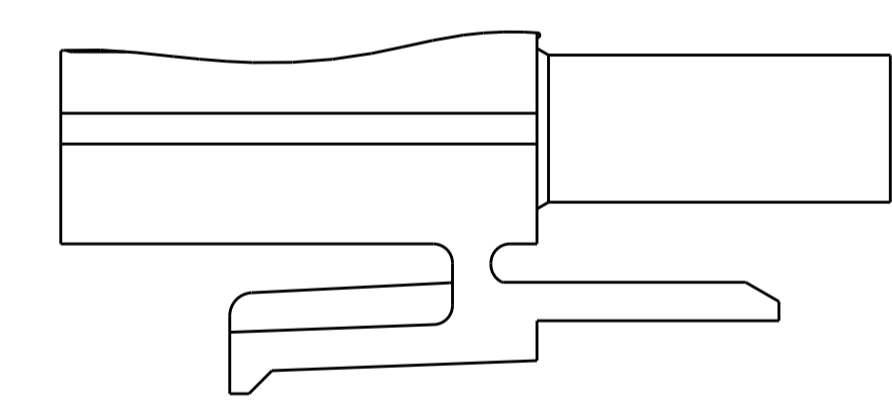
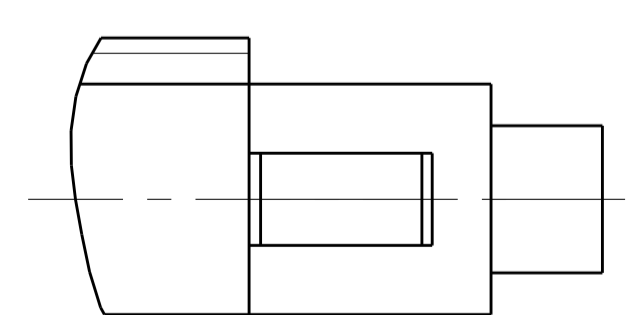


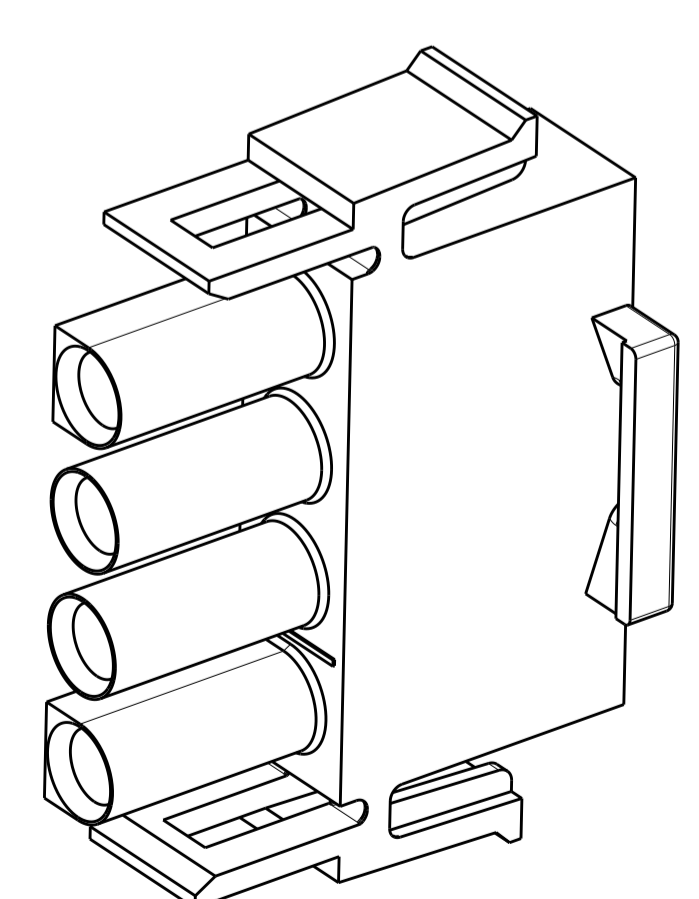
DETAIL A
OPTIONAL CONSTRUCTION



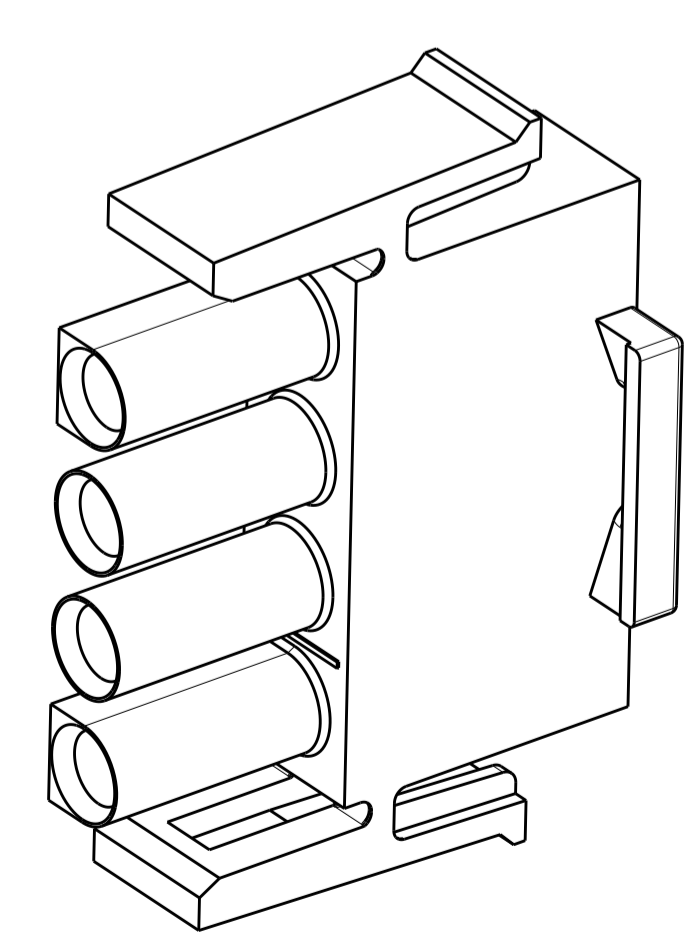
DETAIL B
350779-4 ONLY



DETAIL C
350779-4 ONLY



350779-4



REVISIONS				
P.	LTN	DESCRIPTION	DATE	APVD
AB7		REDRAWN PER ECO-19-005708	14MAY2019	BKW SF

- MATES WITH APPROPRIATE UNIVERSAL MATE-N-LOCK™ CAP OR HEADER.
 - SMALL NICKS ARE PERMITTED ON THE CIRCUIT TOWERS WHICH COULD INCREASE THE INITIAL HOUSING MATING FORCE BY UP TO 4.4 NEWTONS (1.0 LBS.). NO INDIVIDUAL NICKED TOWER SHALL INCREASE THIS FORCE BY OVER 2.2 NEWTONS (.5 LBS.).
 - DIMENSIONS SHOWN REPRESENT PRODUCT IN DRY, AS MOLDED, CONDITION. ADDITIONAL 2% GROWTH DUE TO SUBSEQUENT MOISTURE ABSORPTION MAY OCCUR AND SHOULD BE ACCOUNTED FOR.
- △4 FOUR RIBS EQUALLY SPACED, NO SPECIFIC ORIENTATION. NO RIBS OR SIX RIBS EQUALLY SPACED, NO SPECIFIC ORIENTATION, OPTIONAL.
 - △5 NOT MANUFACTURED IN THE U.S.
 - △6 UNDERWRITERS RECOGNIZED COMPONENT LOGO AND CSA CERTIFICATION LOGO TO BE LOCATED ONCE ON ANY SIDE OF HOUSING.
 - △7 MATERIAL CORRESPONDING TO THE REQUIREMENT OF IEC60335-1 (INCL. GWT 750°C WITHOUT FLAME)
 - △8 SHOWN FOR CONVENIENCE: AMP OR TE LOGO MAY BE ON ANY EXTERNAL SURFACE.

△1	NATURAL	350779-5
	BLACK	1-350779-9
	GRAY	1-350779-8
	BLUE	1-350779-6
	GREEN	1-350779-5
	YELLOW	1-350779-4
	ORANGE	1-350779-3
	RED	1-350779-2
	BROWN	1-350779-1
△5	NATURAL	350779-4
	NATURAL	350779-1
	COLOR	PART NUMBER

THIS DRAWING IS A CONTROLLED DOCUMENT.

DIMENSIONS:	TOLERANCES UNLESS OTHERWISE SPECIFIED:	OWN	B. WEAVER	14MAY2019
mm	0 PLC ±.4	CHK	S. FERNANDES	14MAY2019
	1 PLC ±0.4	APVD	T. BENCHOFF	14MAY2019
	2 PLC ±0.20	PRODUCT SPEC		
	3 PLC ±.	APPLICATION SPEC		
	4 PLC ±.	SIZE	CAGE CODE	DRAWING NO
	ANGLES ±.°30'	WEIGHT		RESTRICTED TO
MATERIAL	FINISH	NYLON 94V-0		A 00779 350779
CUSTOMER DRAWING		SCALE	4:1	SHEET 1 OF 1

STE TE Connectivity

NAME: PLUG, 4 CIRCUIT, UNIVERSAL MATE-N-LOCK

REV: AB7

X-ON Electronics

Largest Supplier of Electrical and Electronic Components

Click to view similar products for [Pin & Socket Connectors](#) category:

Click to view products by [TE Connectivity](#) manufacturer:

Other Similar products are found below :

[6450822-1](#) [770392-1](#) [794042-1](#) [796885-1](#) [8-794535-1](#) [PLR3455ACS-222](#) [R929991004](#) [R929993003](#) [1403611-1](#) [1-480349-5](#) [152302-5](#)
[153211-2](#) [1586092-1](#) [1586129-1](#) [1586681-4](#) [1586700-1](#) [1586368-1](#) [1586380-1](#) [1586616-1](#) [1586680-5](#) [16-06-0038](#) [164164-5](#) [1-6609930-1](#)
[172296-1](#) [19-09-2035](#) [200503-1](#) [200788-2](#) [2029090-4](#) [2029095-4](#) [925061-7](#) [293734-4](#) [293737-2](#) [1-765362-4](#) [1871534-1](#) [200833-4](#)
[2008625-2](#) [2029027-2](#) [2029096-4](#) [R929991000](#) [R929991002](#) [R929993000](#) [319-10-101-00-005000](#) [319-10-102-00-001000](#) [319-10-104-00-001000](#) [319-10-105-00-001000](#) [319-10-108-00-001000](#) [319-10-112-00-006000](#) [39-01-8019](#) [319-10-101-00-001000](#) [319-10-102-00-005000](#)