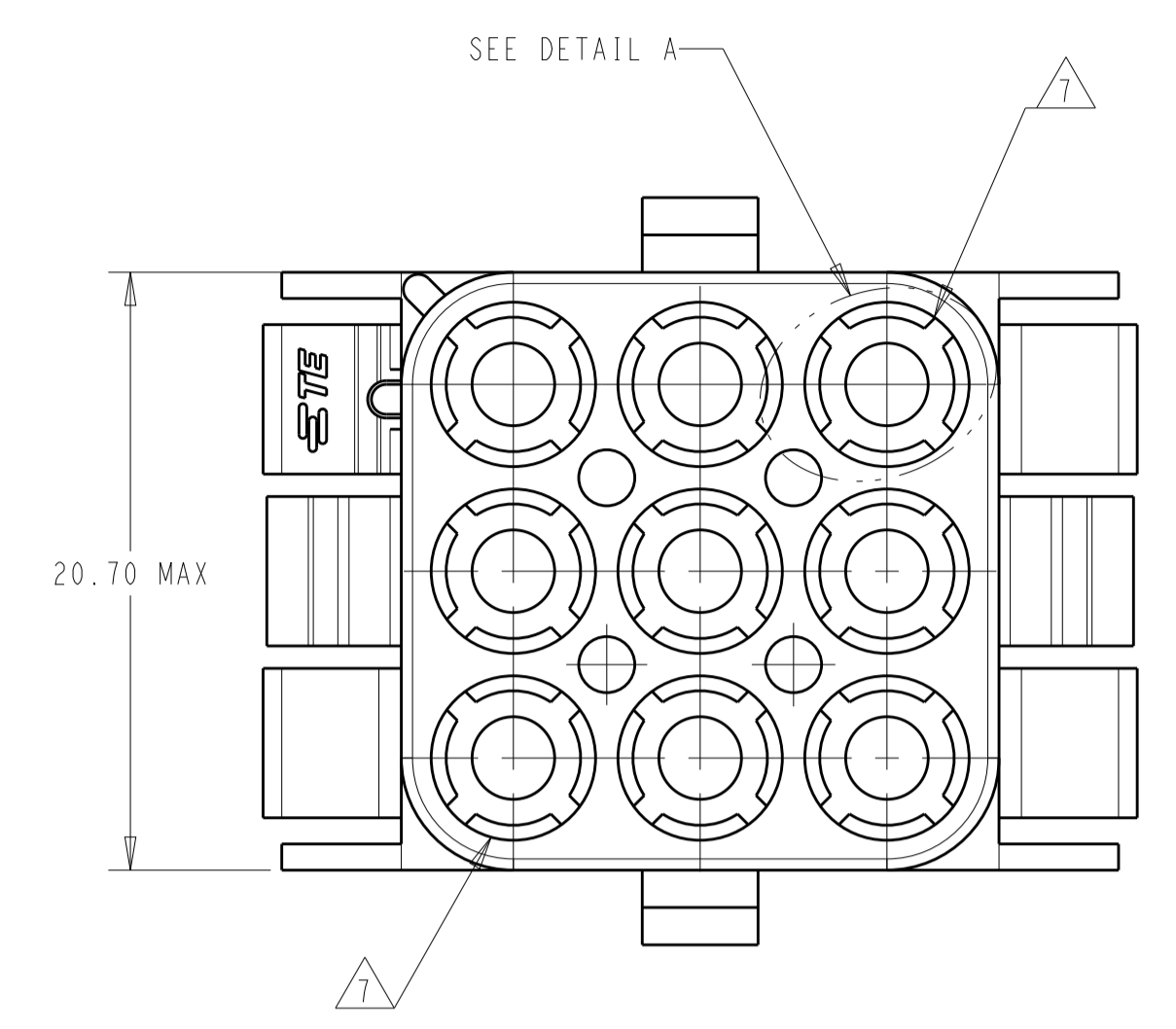
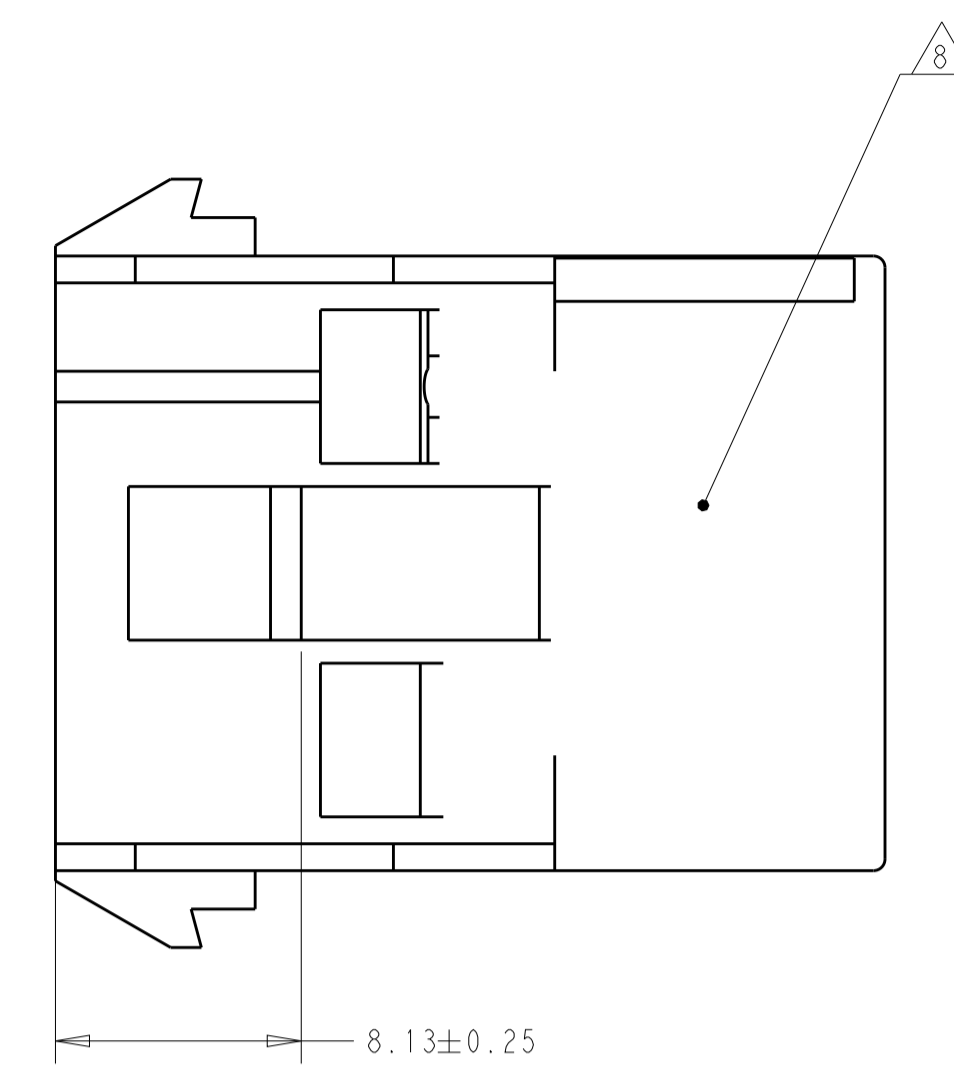
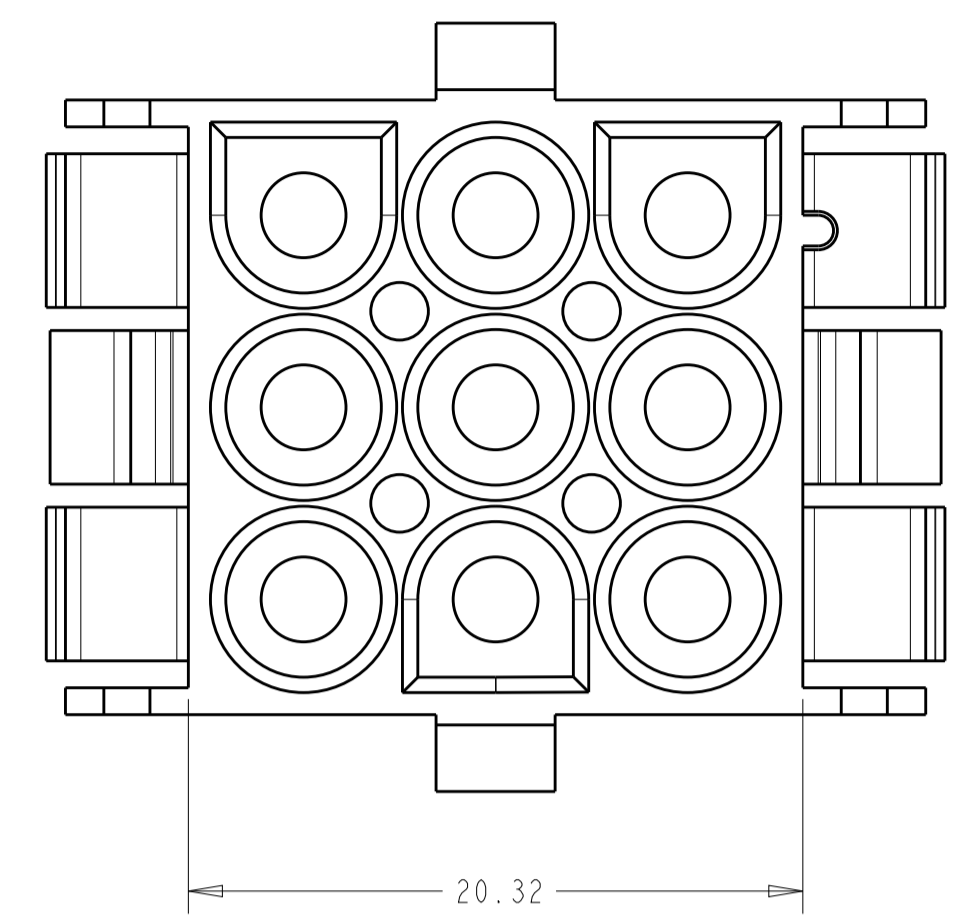
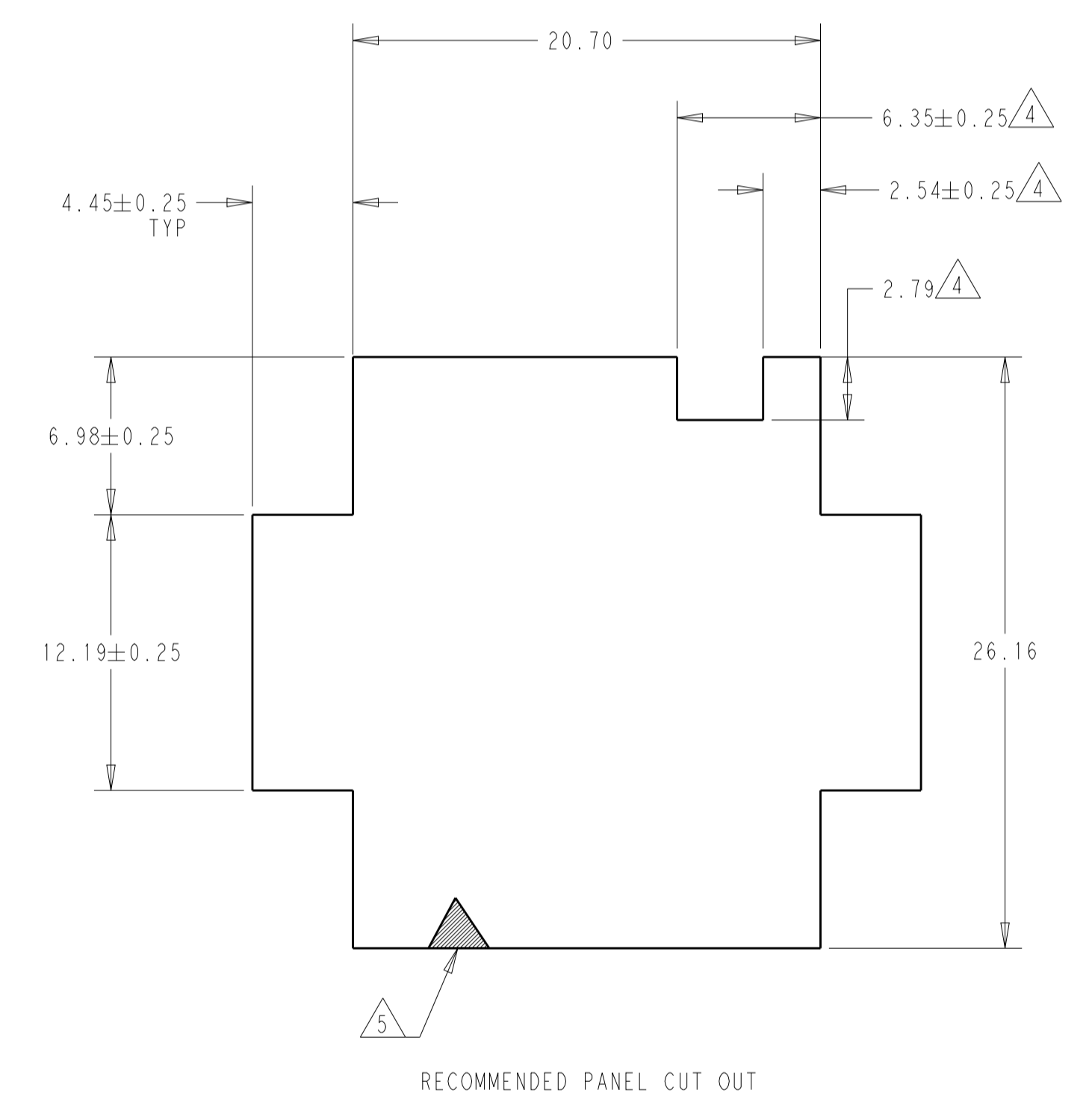


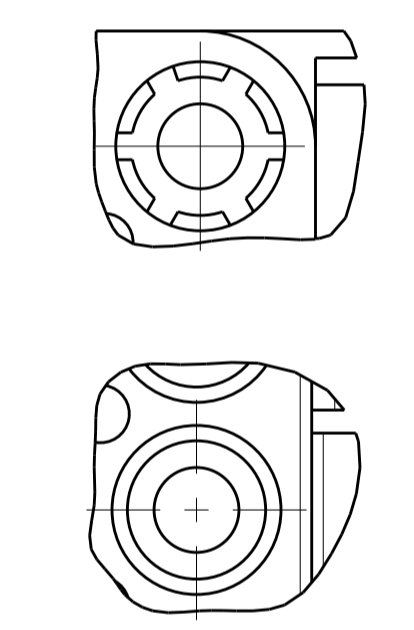
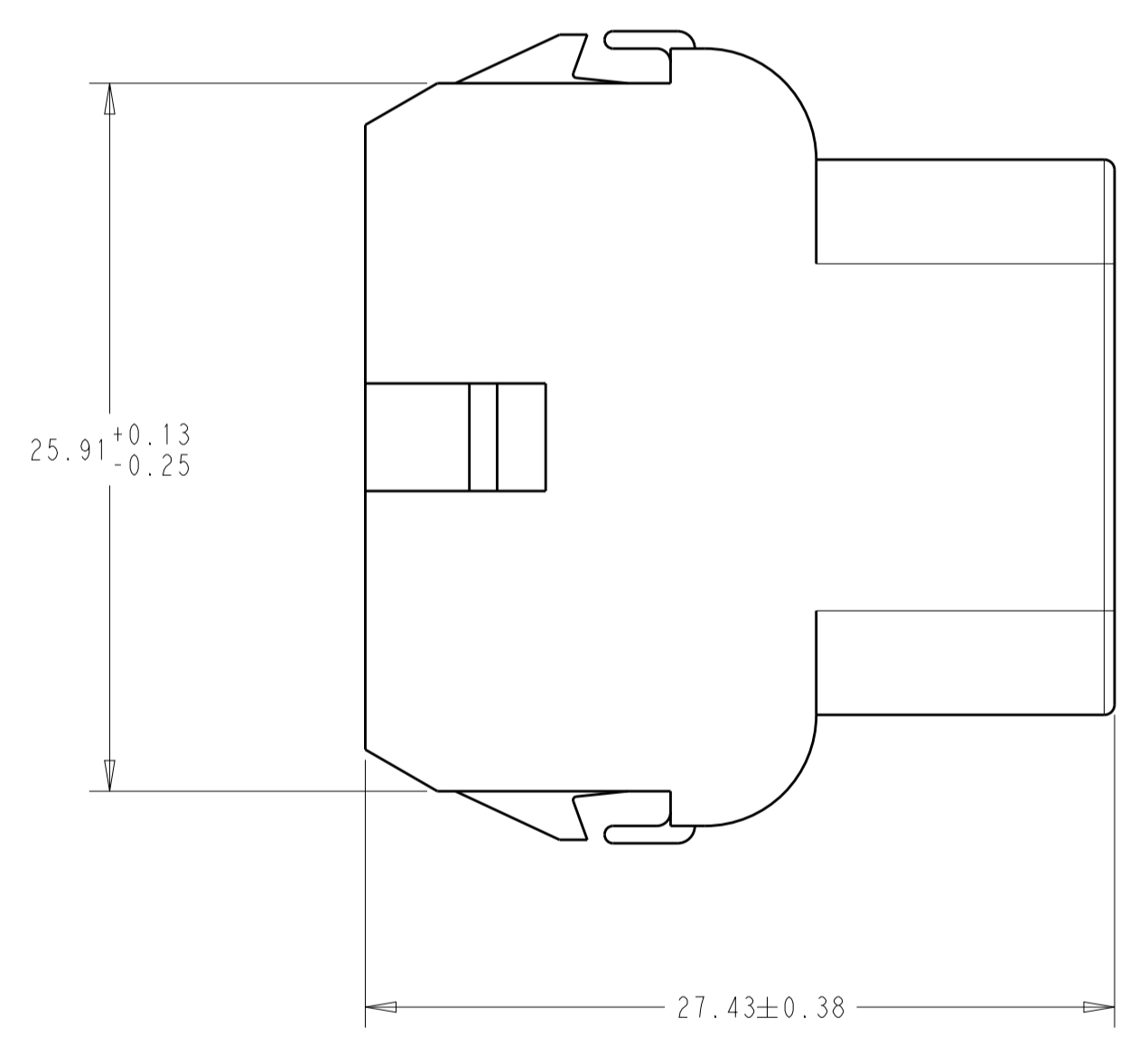
REVISIONS				
P	LTN	DESCRIPTION	DATE	APVD
W		REVISED PER ECO-20-006810	02JUN2020	BKW SF



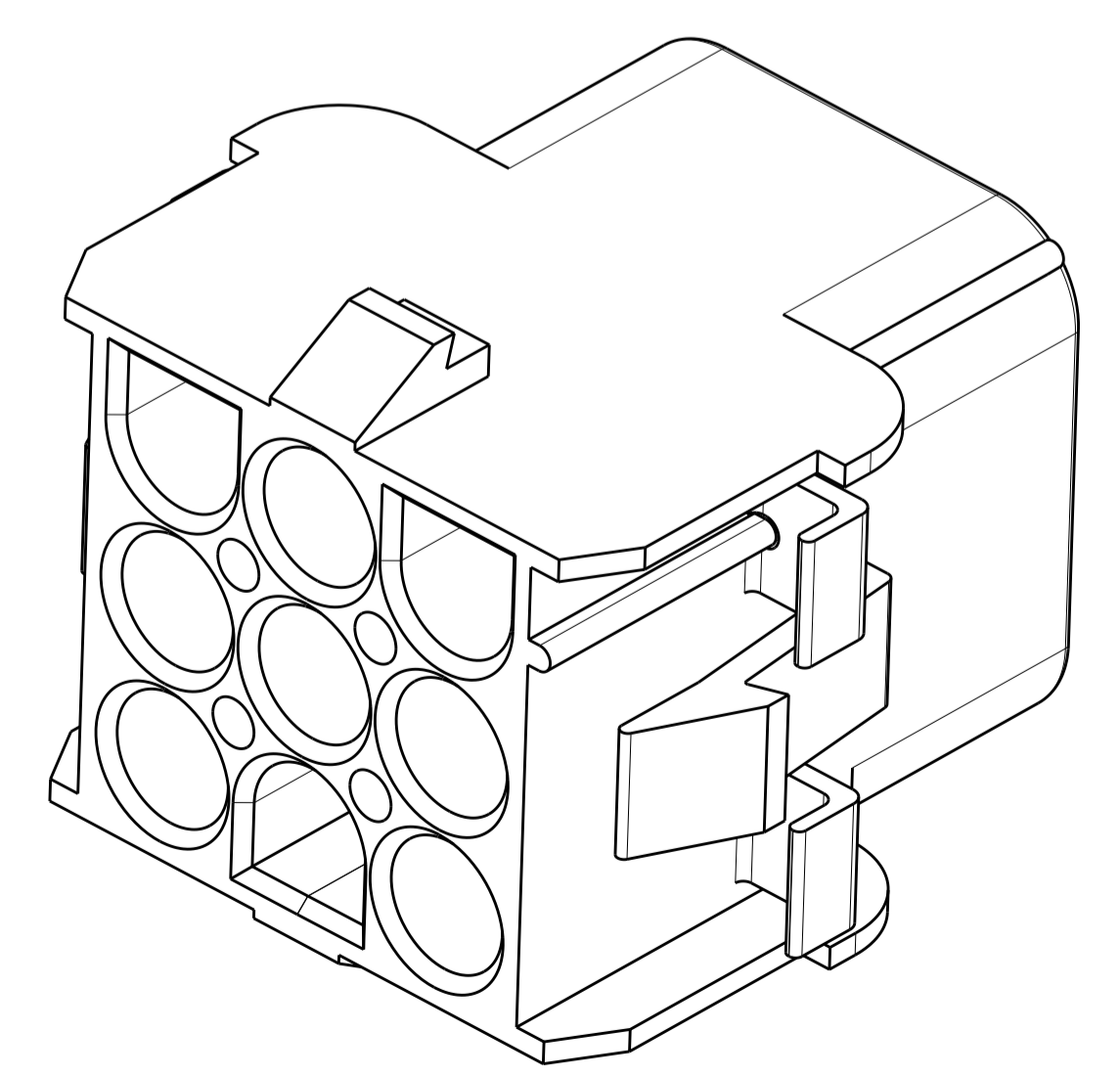
1. MATES WITH APPROPRIATE UNIVERSAL MATE-N-LOCK™ PLUG
2. RECOMMENDED PANEL THICKNESS 0.76 - 2.29.
3. PANEL MUST BE PUNCHED SO THAT THE HOUSING ENTERS THE PANEL IN THE SAME DIRECTION AS THE PUNCH.
4. OPTIONAL FOR KEYING HOUSING IN PANEL.
5. CIRCUIT NUMBER 1 LOCATION.
6. DIMENSIONS SHOWN REPRESENT PRODUCT IN DRY, AS MOLDED, CONDITION. ADDITIONAL 2% GROWTH DUE TO SUBSEQUENT MOISTURE ABSORPTION MAY OCCUR AND SHOULD BE ACCOUNTED FOR.
7. FOUR RIBS EQUALLY SPACED, NO SPECIFIC ORIENTATION. NO RIBS OR SIX RIBS EQUALLY SPACED, NO SPECIFIC ORIENTATION, OPTIONAL.
8. UNDERWRITERS RECOGNIZED COMPONENT LOGO AND CSA CERTIFICATION LOGO TO BE LOCATED ONCE EACH ON SIDE OF HOUSING.



RECOMMENDED PANEL CUT OUT



DETAIL A  
OPTIONAL CONSTRUCTIONS



	BLACK	1-350782-9
OBSOLETE	GRAY	1-350782-8
OBSOLETE	BLUE	1-350782-6
OBSOLETE	GREEN	1-350782-5
OBSOLETE	YELLOW	1-350782-4
OBSOLETE	ORANGE	1-350782-3
OBSOLETE	RED	1-350782-2
OBSOLETE	BROWN	1-350782-1
	NATURAL	350782-1
	COLOR	PART NUMBER

THIS DRAWING IS A CONTROLLED DOCUMENT.		OWN: B. WEAVER 02JUN2020	
DIMENSIONS: mm		CHK: S. FERNANDES 02JUN2020	
TOLERANCES UNLESS OTHERWISE SPECIFIED:		APVD: V. SETTAR 02JUN2020	NAME: CAP, 9 CIRCUIT, UNIVERSAL MATE-N-LOCK
0 PLC ±	1 PLC ±0.13	PRODUCT SPEC: 108-1031	SIZE: A
2 PLC ±	3 PLC ±	APPLICATION SPEC: 114-1010	CAGE CODE: 00779
4 PLC ±	ANGLES ±1°	WEIGHT: -	DRAWING NO: 350782
MATERIAL: NYLON UL 94V-0	FINISH: -	CUSTOMER DRAWING	RESTRICTED TO: -
SCALE: 4:1			SHEET: 1 OF 1
REV: W			

## X-ON Electronics

Largest Supplier of Electrical and Electronic Components

*Click to view similar products for [Pin & Socket Connectors](#) category:*

*Click to view products by [TE Connectivity](#) manufacturer:*

Other Similar products are found below :

[6450822-1](#) [770392-1](#) [794042-1](#) [796885-1](#) [8-794535-1](#) [PLR3455ACS-222](#) [R929991004](#) [R929993003](#) [1403611-1](#) [1-480349-5](#) [152302-5](#)  
[153211-2](#) [1586092-1](#) [1586129-1](#) [1586681-4](#) [1586700-1](#) [1586368-1](#) [1586380-1](#) [1586616-1](#) [1586680-5](#) [16-06-0038](#) [164164-5](#) [1-6609930-1](#)  
[172296-1](#) [19-09-2035](#) [200503-1](#) [200788-2](#) [2029090-4](#) [2029095-4](#) [925061-7](#) [293734-4](#) [293737-2](#) [1-765362-4](#) [1871534-1](#) [200833-4](#)  
[2008625-2](#) [2029027-2](#) [2029096-4](#) [R929991000](#) [R929991002](#) [R929993000](#) [319-10-101-00-005000](#) [319-10-102-00-001000](#) [319-10-104-00-001000](#) [319-10-105-00-001000](#) [319-10-108-00-001000](#) [319-10-112-00-006000](#) [39-01-8019](#) [319-10-101-00-001000](#) [319-10-102-00-005000](#)