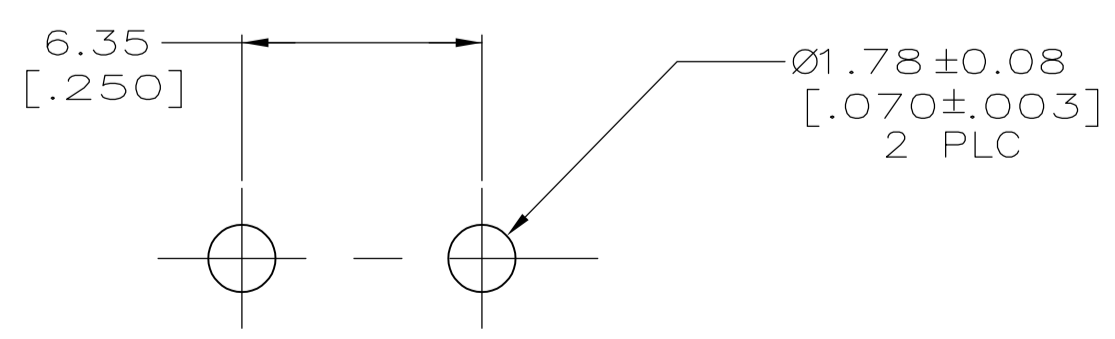
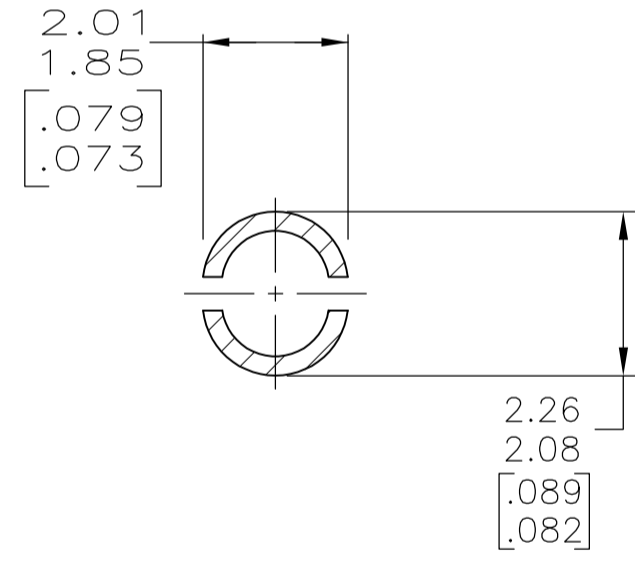
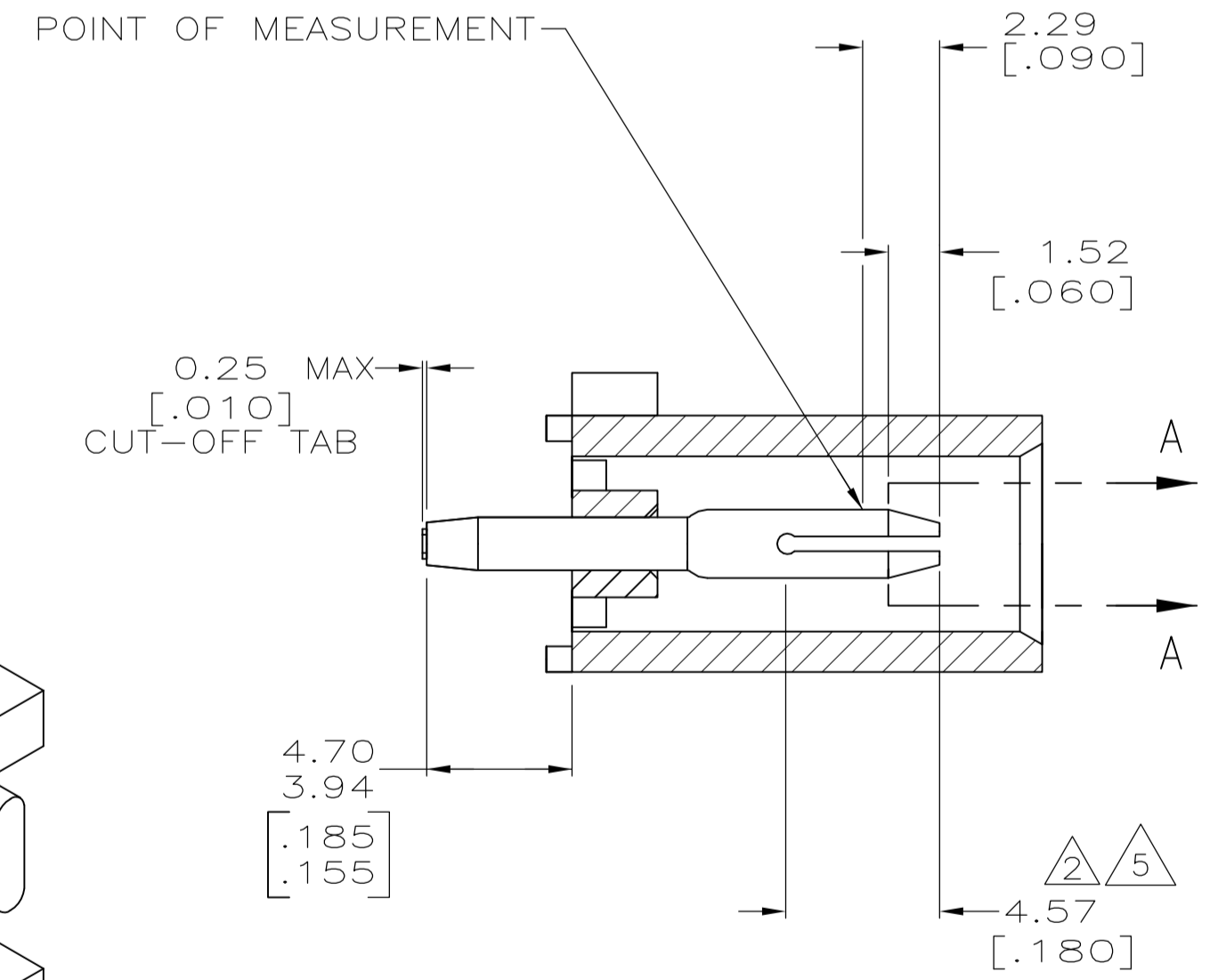
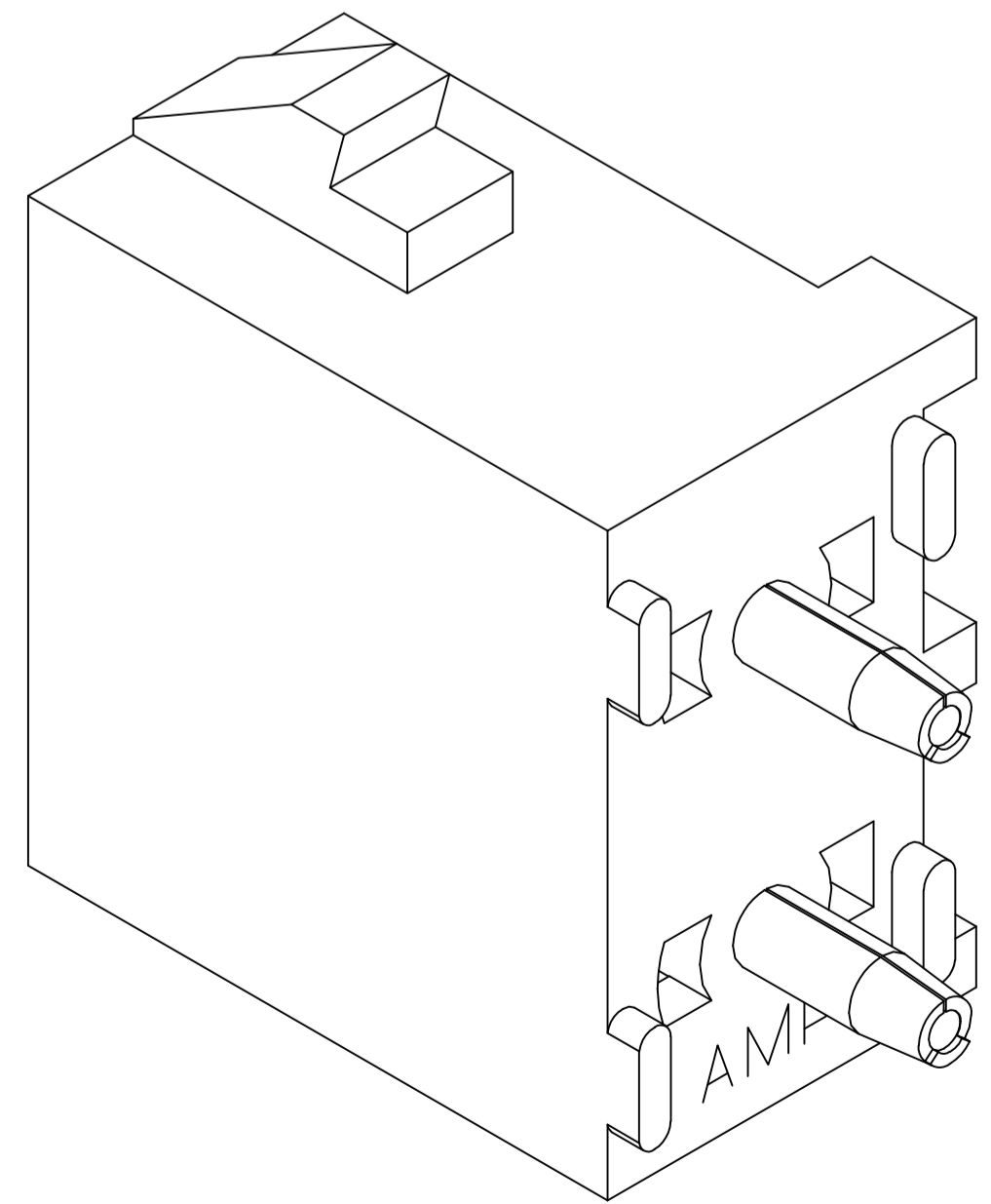


- 1 PARTS COMPLY TO AMP SOLDERABILITY SPECIFICATION 109-11-3.
- 2 CONTACT IS PLATED OVERALL WITH 0.00127 [.000050] NICKEL, THEN 0.00076 [.000030] GOLD OVER CONTACT LENGTH INDICATED AND MATTE TIN-LEAD ON SOLDER TAIL END.
- 3 CIRCUIT IDENTIFICATION CHARACTERS ARE ADJACENT TO THE INDICATED CAVITIES, BUT LOCATION AND ORIENTATION MAY DIFFER FROM PRINT.
- 4 DIMENSIONS IN BRACKETS ARE IN INCHES.
- 5 CONTACT IS PLATED OVERALL WITH 0.00127 [.000050] NICKEL, THEN 0.00076 [.000030] GOLD OVER CONTACT LENGTH INDICATED AND MATTE TIN ON SOLDER TAIL END.
- 6 SUPERSEDED BY 350786-3



| | | |
|---------------------------------|-----------------------|------------------|
| PHOSPHOR BRONZE, PRE-TIN | NYLON, UL94V-0, BLUE | 1-350786-6 |
| PHOSPHOR BRONZE, PRE-TIN | NYLON, UL94V-0, RED | 1-350786-2 |
| PHOSPHOR BRONZE, GOLD 5 | NYLON, UL94V-0, WHITE | 350786-3 |
| PHOSPHOR BRONZE, GOLD 2 | NYLON, UL94V-0, WHITE | 350786-2 |
| PHOSPHOR BRONZE, PRE-TIN | NYLON, UL94V-0, WHITE | 350786-1 |
| PIN CONTACT MATERIAL AND FINISH | | HOUSING MATERIAL |
| | | PART NUMBER |

THIS DRAWING IS A CONTROLLED DOCUMENT.

| | | | |
|-------------------------|--|----------------------------|---|
| DIMENSIONS: mm [INCHES] | TOLERANCES UNLESS OTHERWISE SPECIFIED: | APVD: S. RIDGILL 24JUN2003 | NAME: PIN HEADER ASSEMBLY, 2 CIRCUIT UNIVERSAL MATE-N-LOK(TM) |
| 0 PLC ± | 1 PLC ± | APVD: S. RIDGILL 24JUN2003 | SIZE: A1 |
| 2 PLC ± | 3 PLC ± 0.13 [.005] | PRODUCT SPEC | SCALE: 5:1 |
| 4 PLC ± | ANGLES ± 0°30' | APPLICATION SPEC | SHEET 1 OF 1 |
| MATERIAL SEE TABLE | FINISH SEE TABLE | WEIGHT | REV R3 |
| CUSTOMER DRAWING | | DRAWING NO: 00779 | REV: 3 |

STE TE Connectivity

X-ON Electronics

Largest Supplier of Electrical and Electronic Components

Click to view similar products for [Pin & Socket Connectors](#) category:

Click to view products by [TE Connectivity](#) manufacturer:

Other Similar products are found below :

[6450822-1](#) [770392-1](#) [794042-1](#) [796885-1](#) [8-794535-1](#) [PLR3455ACS-222](#) [R929991004](#) [R929993003](#) [1403611-1](#) [1-480349-5](#) [152302-5](#)
[153211-2](#) [1586092-1](#) [1586129-1](#) [1586681-4](#) [1586700-1](#) [1586368-1](#) [1586380-1](#) [1586616-1](#) [1586680-5](#) [16-06-0038](#) [164164-5](#) [1-6609930-1](#)
[172296-1](#) [19-09-2035](#) [200503-1](#) [200788-2](#) [2029090-4](#) [2029095-4](#) [925061-7](#) [293734-4](#) [293737-2](#) [1-765362-4](#) [1871534-1](#) [200833-4](#)
[2008625-2](#) [2029027-2](#) [2029096-4](#) [R929991000](#) [R929991002](#) [R929993000](#) [319-10-101-00-005000](#) [319-10-102-00-001000](#) [319-10-104-00-001000](#) [319-10-105-00-001000](#) [319-10-108-00-001000](#) [319-10-112-00-006000](#) [39-01-8019](#) [319-10-101-00-001000](#) [319-10-102-00-005000](#)