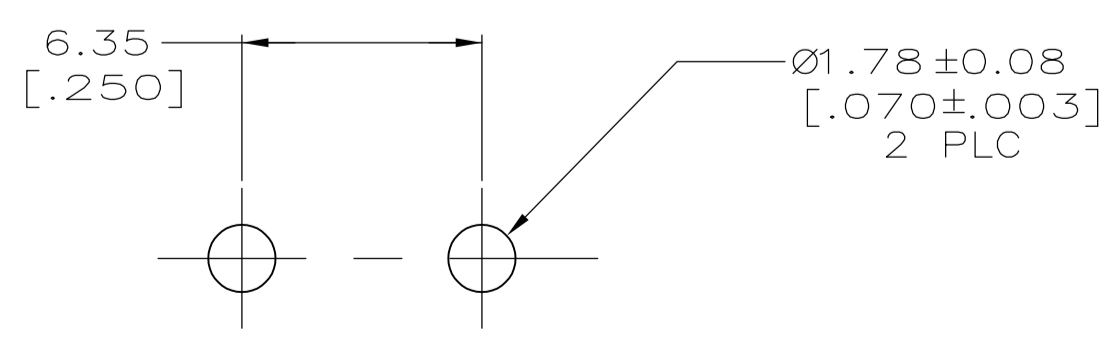
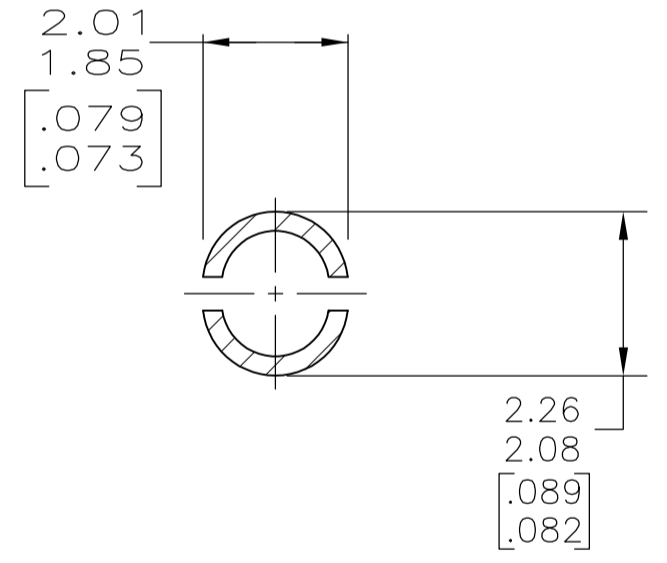
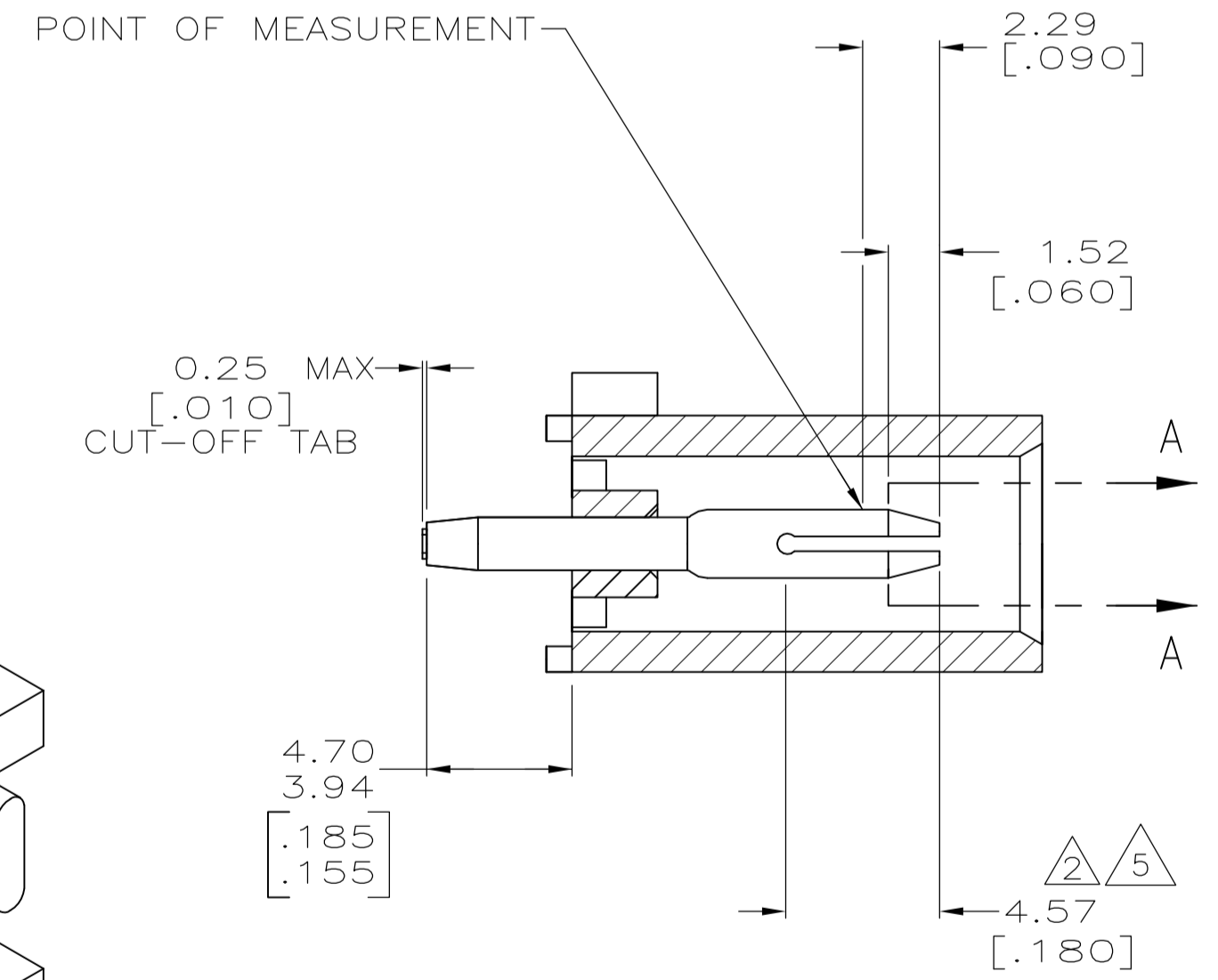
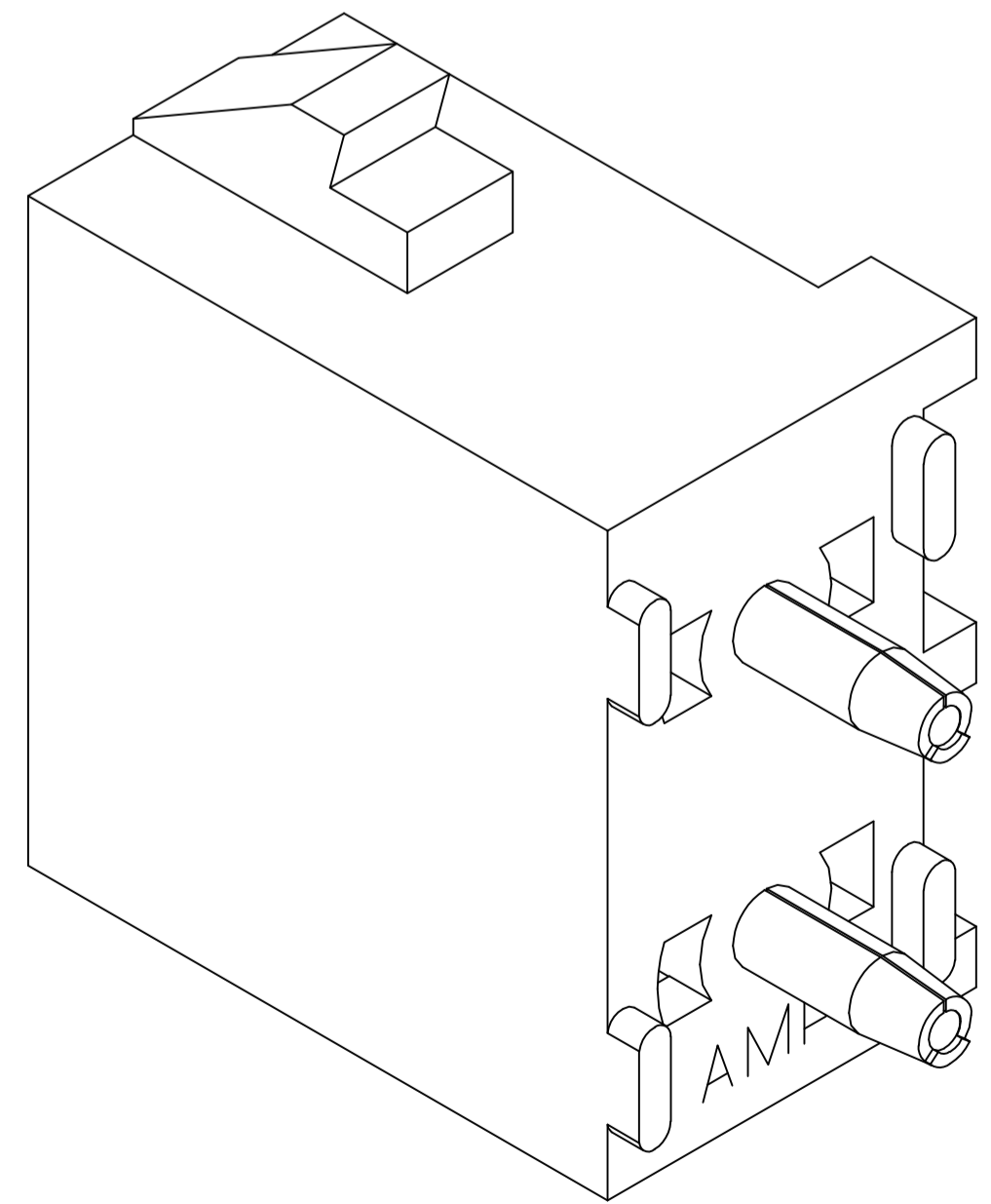


- 1 PARTS COMPLY TO AMP SOLDERABILITY SPECIFICATION 109-11-3.
- 2 CONTACT IS PLATED OVERALL WITH 0.00127 [.000050] NICKEL, THEN 0.00076 [.000030] GOLD OVER CONTACT LENGTH INDICATED AND MATTE TIN-LEAD ON SOLDER TAIL END.
- 3 CIRCUIT IDENTIFICATION CHARACTERS ARE ADJACENT TO THE INDICATED CAVITIES, BUT LOCATION AND ORIENTATION MAY DIFFER FROM PRINT.
- 4 DIMENSIONS IN BRACKETS ARE IN INCHES.
- 5 CONTACT IS PLATED OVERALL WITH 0.00127 [.000050] NICKEL, THEN 0.00076 [.000030] GOLD OVER CONTACT LENGTH INDICATED AND MATTE TIN ON SOLDER TAIL END.
- 6 SUPERSEDED BY 350786-3



PHOSPHOR BRONZE, PRE-TIN	NYLON, UL94V-0, BLUE	1-350786-6
PHOSPHOR BRONZE, PRE-TIN	NYLON, UL94V-0, RED	1-350786-2
PHOSPHOR BRONZE, GOLD 5	NYLON, UL94V-0, WHITE	350786-3
PHOSPHOR BRONZE, GOLD 2	NYLON, UL94V-0, WHITE	350786-2
PHOSPHOR BRONZE, PRE-TIN	NYLON, UL94V-0, WHITE	350786-1
PIN CONTACT MATERIAL AND FINISH		HOUSING MATERIAL
		PART NUMBER

THIS DRAWING IS A CONTROLLED DOCUMENT.

DIMENSIONS: mm [INCHES]	TOLERANCES UNLESS OTHERWISE SPECIFIED:	APVD: S. RIDGILL 24JUN2003	NAME: PIN HEADER ASSEMBLY, 2 CIRCUIT UNIVERSAL MATE-N-LOK(TM)
0 PLC ±	1 PLC ±	APVD: S. CARPENTER 24JUN2003	SIZE: A1
2 PLC ±	3 PLC ± 0.13 [.005]	APVD: S. RIDGILL 24JUN2003	SCALE: 5:1
4 PLC ±	ANGLES ± 0°30'	APVD: S. RIDGILL 24JUN2003	SHEET 1 OF 1
MATERIAL SEE TABLE	FINISH SEE TABLE	WEIGHT	REV R3

CUSTOMER DRAWING

X-ON Electronics

Largest Supplier of Electrical and Electronic Components

Click to view similar products for [Pin & Socket Connectors](#) category:

Click to view products by [TE Connectivity](#) manufacturer:

Other Similar products are found below :

[6450822-1](#) [770392-1](#) [794042-1](#) [796885-1](#) [8-794535-1](#) [PLR3455ACS-222](#) [R929991004](#) [R929993003](#) [1403611-1](#) [1-480349-5](#) [152302-5](#)
[153211-2](#) [1586092-1](#) [1586129-1](#) [1586681-4](#) [1586700-1](#) [1586368-1](#) [1586380-1](#) [1586616-1](#) [1586680-5](#) [16-06-0038](#) [164164-5](#) [1-6609930-1](#)
[172296-1](#) [19-09-2035](#) [200503-1](#) [200788-2](#) [2029090-4](#) [2029095-4](#) [925061-7](#) [293734-4](#) [293737-2](#) [1-765362-4](#) [1871534-1](#) [200833-4](#)
[2008625-2](#) [2029027-2](#) [2029096-4](#) [R929991000](#) [R929991002](#) [R929993000](#) [319-10-101-00-005000](#) [319-10-102-00-001000](#) [319-10-104-00-001000](#) [319-10-105-00-001000](#) [319-10-108-00-001000](#) [319-10-112-00-006000](#) [39-01-8019](#) [319-10-101-00-001000](#) [319-10-102-00-005000](#)