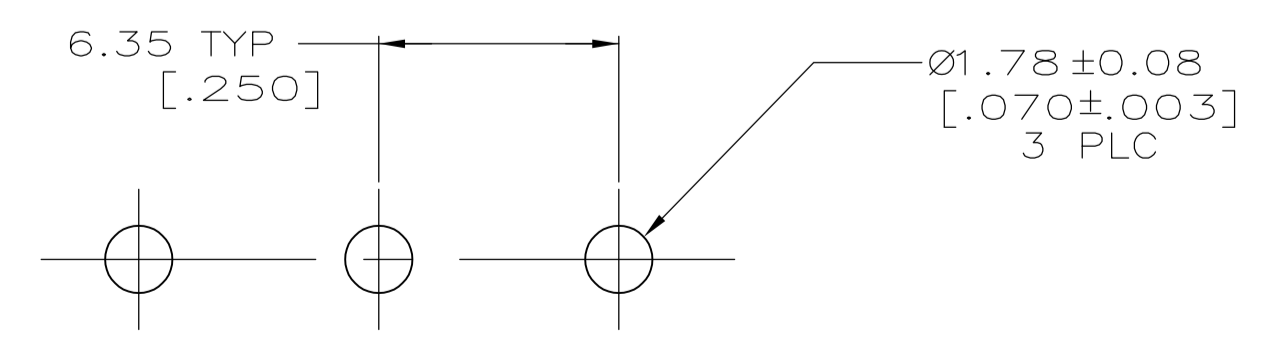
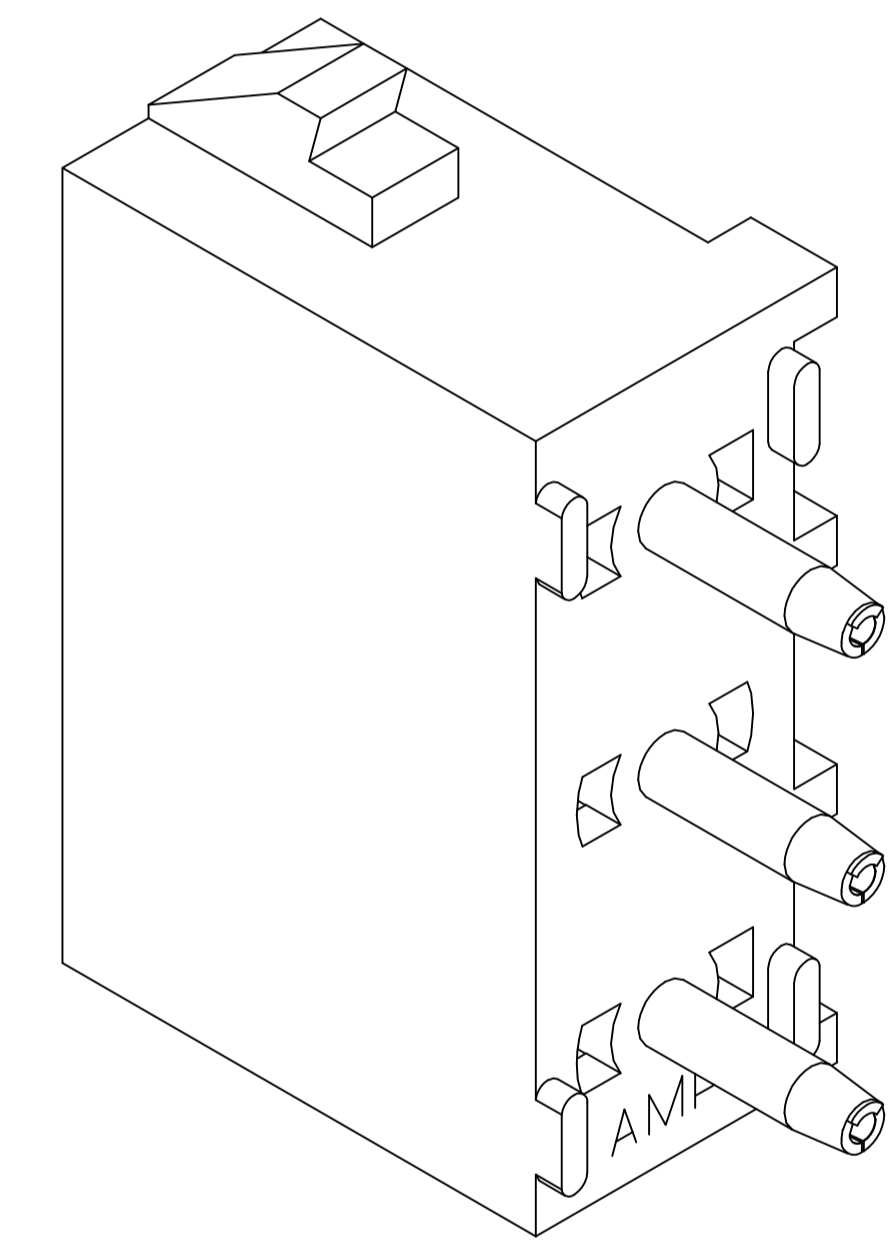


SECTION A-A  
SCALE 10:1



RECOMMENDED MOUNTING HOLE PATTERN  
FOR 3.18 [.125] THICK P.C. BOARD

- 1 PARTS COMPLY TO AMP SOLDERABILITY SPECIFICATION 109-11-3.
- 2 CONTACT IS PLATED OVERALL WITH 0.00127 [.000050] NICKEL, THEN 0.00076 [.000030] GOLD OVER CONTACT LENGTH INDICATED AND MATTE TIN LEAD ON SOLDER TAIL END.
- 3 CIRCUIT IDENTIFICATION CHARACTERS ARE ADJACENT TO THE INDICATED CAVITIES, BUT LOCATION AND ORIENTATION MAY DIFFER FROM PRINT.
- 4 DIMENSIONS IN BRACKETS ARE IN INCHES.
- 5 CONTACT IS PLATED OVERALL WITH 0.00127 [.000050] NICKEL, THEN 0.00076 [.000030] GOLD OVER CONTACT LENGTH INDICATED AND MATTE TIN ON SOLDER TAIL END.
- 6 SUPERSEDED BY 350790-3



3-DIMENSIONAL MODEL  
NTS

|                                 |                       |             |
|---------------------------------|-----------------------|-------------|
| PHOSPHOR BRONZE, GOLD           | NYLON, UL94V-0, WHITE | 350790-3    |
| PHOSPHOR BRONZE, GOLD           | NYLON, UL94V-0, WHITE | 350790-2    |
| PHOSPHOR BRONZE, PRE-TIN        | NYLON, UL94V-0, WHITE | 350790-1    |
| PIN CONTACT MATERIAL AND FINISH | HOUSING MATERIAL      | PART NUMBER |

|  |                     |                             |  |
|--|---------------------|-----------------------------|--|
| THIS DRAWING IS A CONTROLLED DOCUMENT. |                     | DIN<br>R. LEWIS<br>8-19-98  | TE Connectivity  |
| DIMENSIONS:<br>mm [INCHES]             |                     | CHK<br>R. SWING<br>8-19-98  |  |
| TOLERANCES UNLESS OTHERWISE SPECIFIED: |                     | APVD<br>M. TRULL<br>8-19-98 | NAME   |
| 0 PLC ± -                              |                     |                             | PIN HEADER ASSEMBLY,<br>3 CIRCUIT<br>UNIVERSAL MATE-N-LOK™ |
| 1 PLC ± -                              |                     |                             | APPLICATION SPEC   |
| 2 PLC ± 0.13 [.005]                    |                     |                             | SIZE   |
| 3 PLC ± -                              |                     |                             | WEIGHT   |
| 4 PLC ± -                              |                     |                             | RESTRICTED TO  |
| ANGLES ± 0°30'                         |                     |                             |  |
| MATERIAL<br>SEE TABLE                  | FINISH<br>SEE TABLE | SCALE<br>5:1                | SHEET<br>1 OF 1  |
| CUSTOMER DRAWING                       |                     | DRAWING NO.<br>A1 00779     | REV<br>S1  |

## X-ON Electronics

Largest Supplier of Electrical and Electronic Components

*Click to view similar products for [Pin & Socket Connectors](#) category:*

*Click to view products by [TE Connectivity](#) manufacturer:*

Other Similar products are found below :

[6450822-1](#) [770392-1](#) [794042-1](#) [796885-1](#) [8-794535-1](#) [PLR3455ACS-222](#) [R929991004](#) [R929993003](#) [1403611-1](#) [1-480349-5](#) [152302-5](#)  
[153211-2](#) [1586092-1](#) [1586129-1](#) [1586681-4](#) [1586700-1](#) [1586368-1](#) [1586380-1](#) [1586616-1](#) [1586680-5](#) [16-06-0038](#) [164164-5](#) [1-6609930-1](#)  
[172296-1](#) [19-09-2035](#) [200503-1](#) [200788-2](#) [2029090-4](#) [2029095-4](#) [925061-7](#) [293734-4](#) [293737-2](#) [1-765362-4](#) [1871534-1](#) [200833-4](#)  
[2008625-2](#) [2029027-2](#) [2029096-4](#) [R929991000](#) [R929991002](#) [R929993000](#) [319-10-101-00-005000](#) [319-10-102-00-001000](#) [319-10-104-00-001000](#) [319-10-105-00-001000](#) [319-10-108-00-001000](#) [319-10-112-00-006000](#) [39-01-8019](#) [319-10-101-00-001000](#) [319-10-102-00-005000](#)