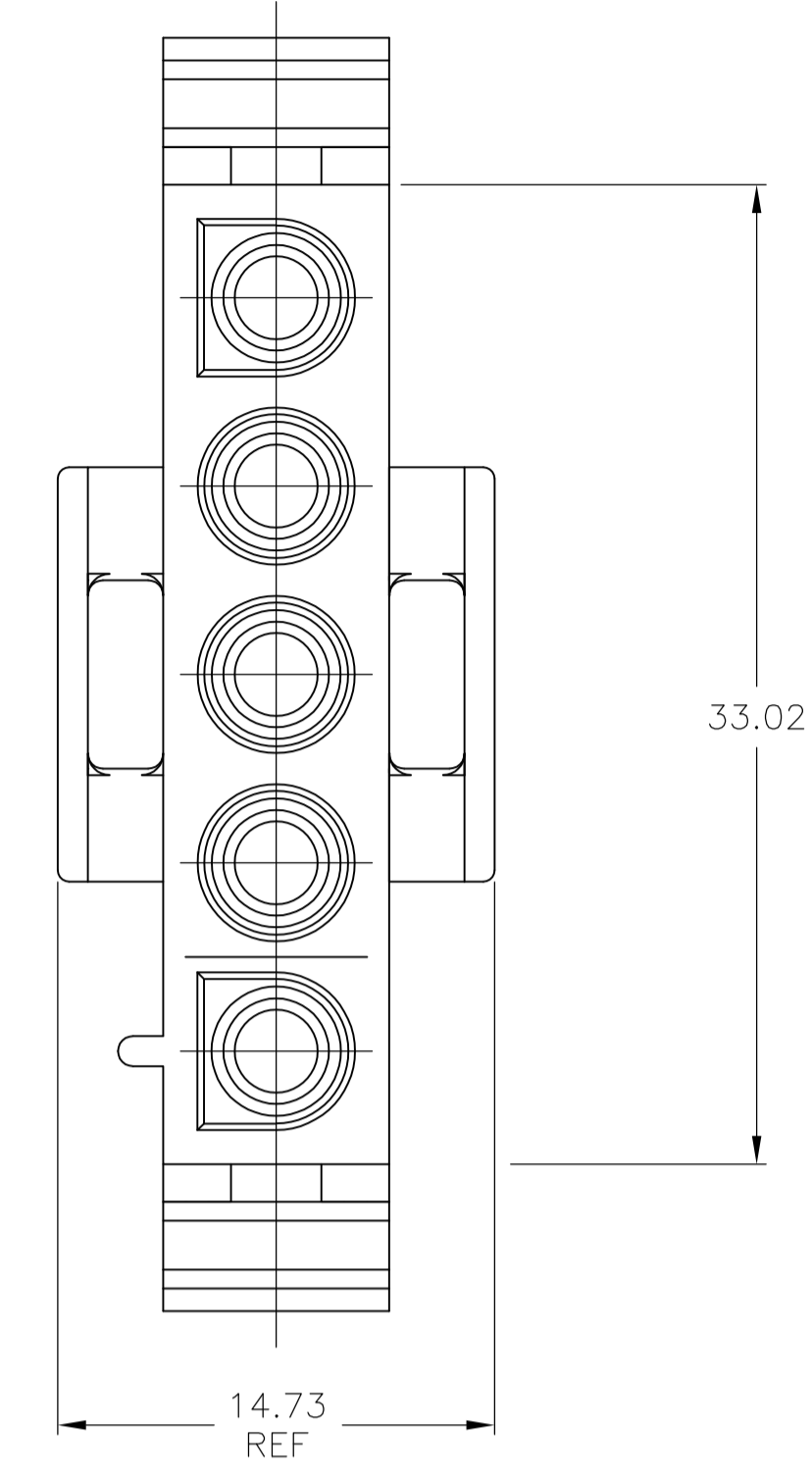
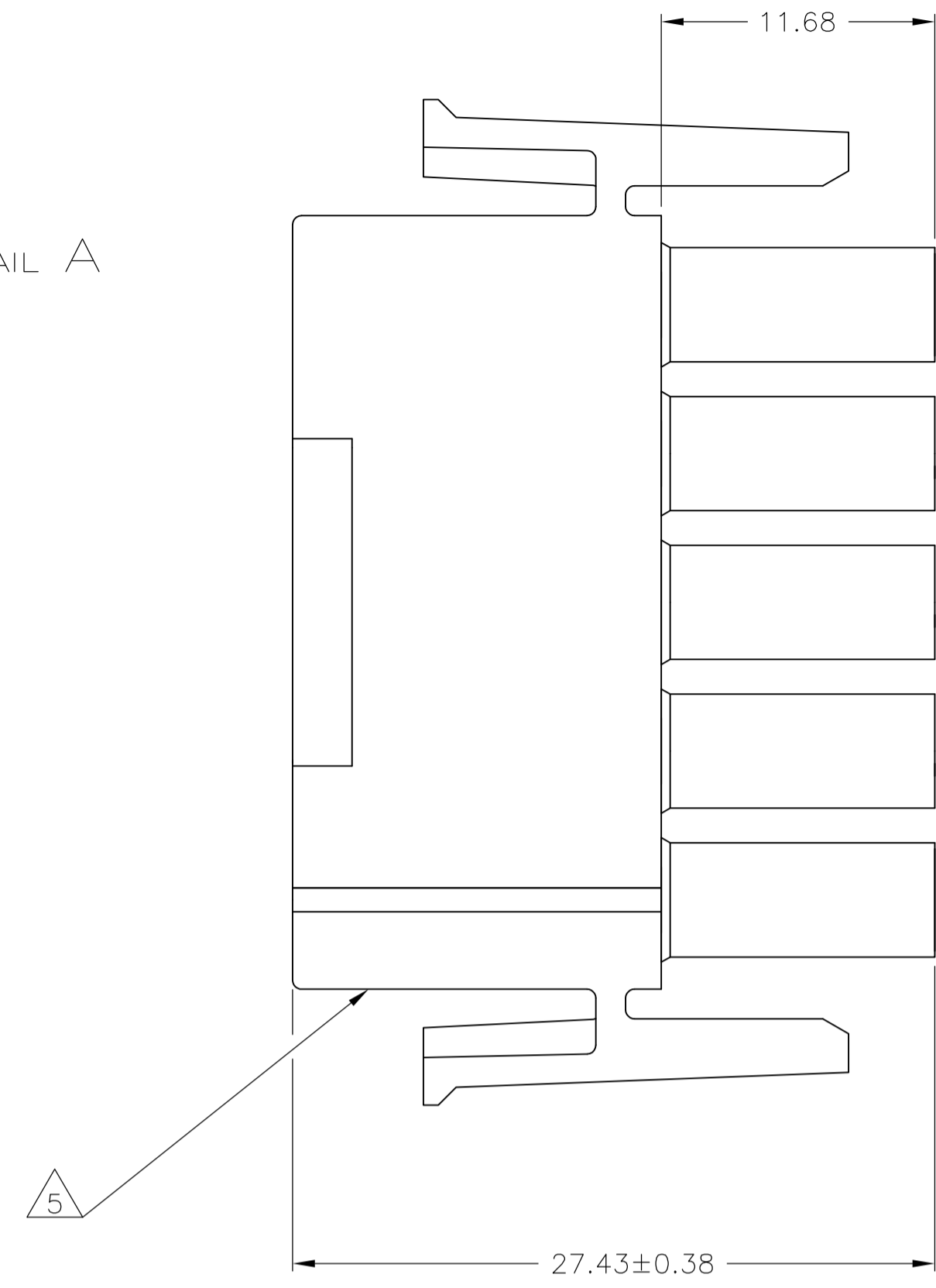
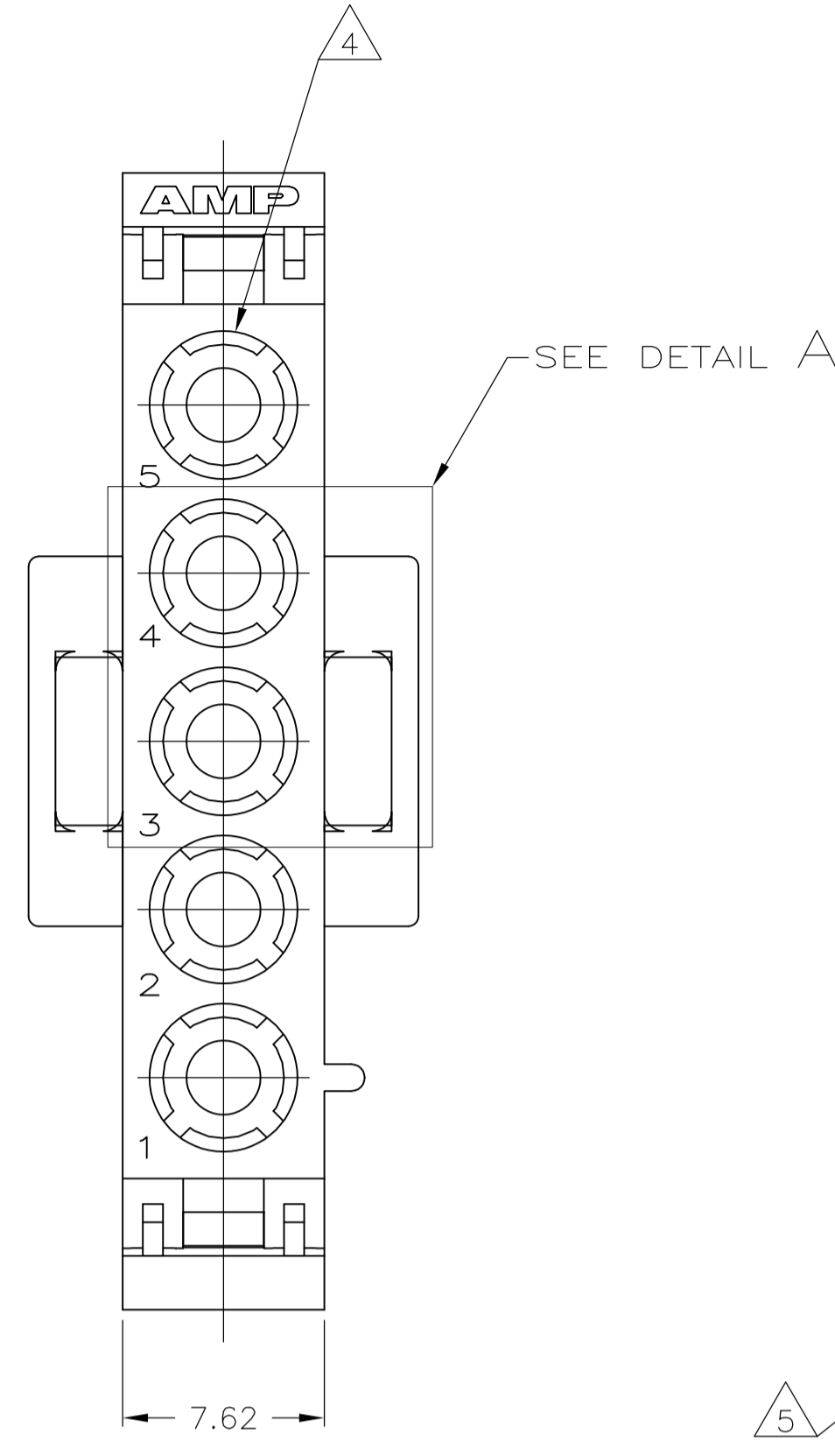
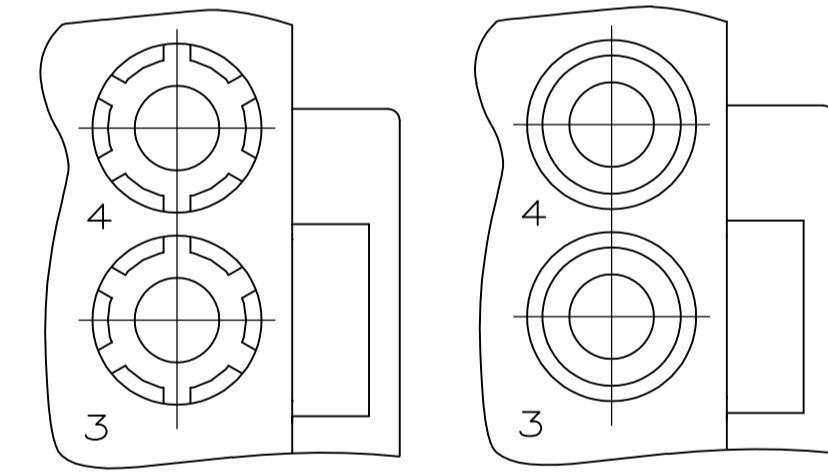
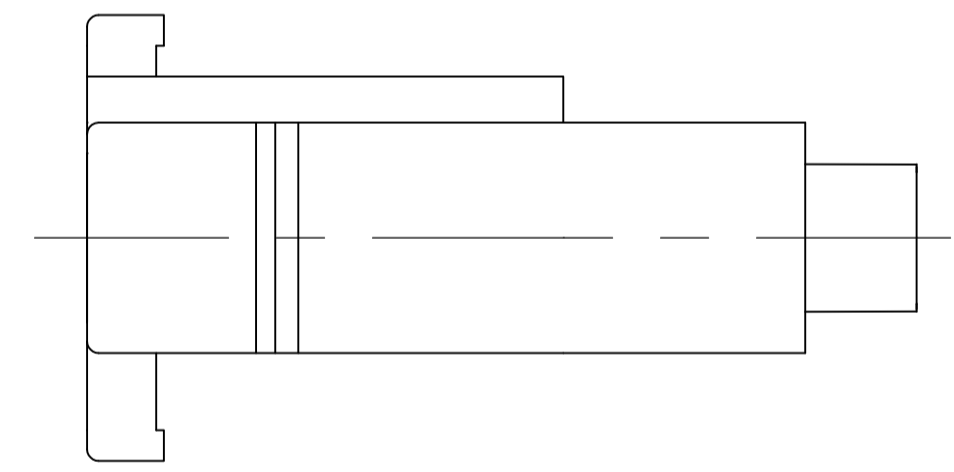


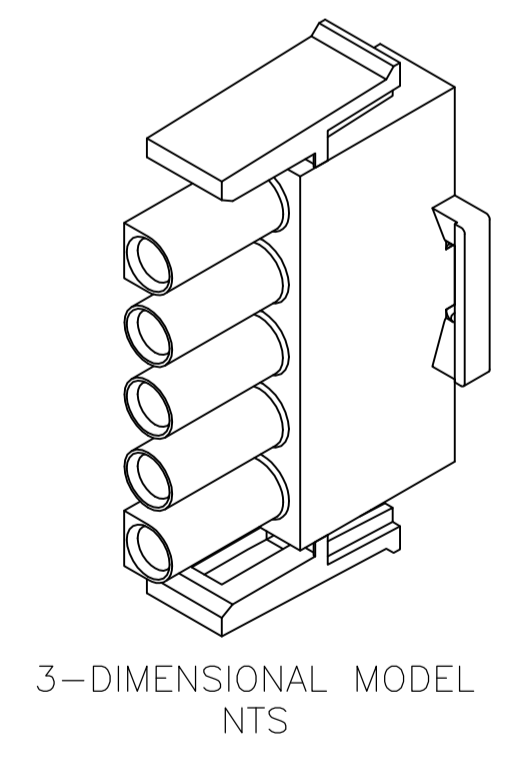
LOC		DIST		REVISIONS			
CM	53	REV	DATE	DESCRIPTION	DATE	BY	APPV
Y5	REVISED PER ECR-17-006277		25MAY2017			BW	KR



- MATES WITH APPROPRIATE UNIVERSAL MATE-N-LOK™ CAP OR HEADER.
 - SMALL NICKS ARE PERMITTED ON THE CIRCUIT TOWERS WHICH COULD INCREASE THE INITIAL HOUSING MATING FORCE BY UP TO 4.4 NEWTONS [1.0 LBS]. NO INDIVIDUAL NICKED TOWER SHALL INCREASE THIS FORCE BY OVER 2.2 NEWTONS [.5 LBS].
 - DIMENSIONS SHOWN REPRESENT PRODUCT IN DRY, AS MOLDED, CONDITION. ADDITIONAL 2% GROWTH DUE TO SUBSEQUENT MOISTURE ABSORPTION MAY OCCUR AND SHOULD BE ACCOUNTED FOR.
- 4 FOUR RIBS EQUALLY SPACED, NO SPECIFIC ORIENTATION. NO RIBS OR SIX RIBS EQUALLY SPACED, NO SPECIFIC ORIENTATION, OPTIONAL.
- 5 UNDERWRITERS RECOGNIZED COMPONENT LOGO AND CSA CERTIFICATION LOGO TO BE LOCATED ONCE EACH ON SIDE OF HOUSING.



DETAIL A
OPTIONAL CONSTRUCTION



PA66 VO GWT 750°C NO FLAME	COLOR	PART NO.
	NATURAL	350809-3
	BLACK	1-350809-9
	GRAY	1-350809-8
	BLUE	1-350809-6
	GREEN	1-350809-5
	YELLOW	1-350809-4
	ORANGE	1-350809-3
	RED	1-350809-2
	BROWN	1-350809-1
SUPERCEDED BY 1-350809-9	BLACK	350809-2
	NATURAL	350809-1
	COLOR	PART NO.

MM	IN
33.02	1.300
27.43	1.080
14.73	.580
11.68	.460
7.62	.300
0.38	.015
0.13	.005

CONVERSION TABLE

THIS DRAWING IS A CONTROLLED DOCUMENT.

DIMENSIONS:	TOLERANCES UNLESS OTHERWISE SPECIFIED:	DWG: VESTAL 24FEB95	CHK: R SWING 24FEB95	APPROV: D SELF 24FEB95	NAME: PLUG, 5 CIRCUIT, UNIVERSAL MATE-N-LOK™
mm	0. PLC ± - 1. PLC ± - 2. PLC ± 0.13 3. PLC ± - 4. PLC ± - ANGLES ± 0°30'	PRODUCT SPEC: 108-1031	APPLICATION SPEC: 114-18011	SIZE: A1	SCALE: 4:1
MATERIAL: SEE TABLE	FINISH: -	WEIGHT: -	CUSTOMER DRAWING	RESTRICTED TO: -	SHEET 1 OF 1

STE TE Connectivity

SCALE 4:1 SHEET 1 OF 1 REV Y5

X-ON Electronics

Largest Supplier of Electrical and Electronic Components

Click to view similar products for [Pin & Socket Connectors](#) category:

Click to view products by [TE Connectivity](#) manufacturer:

Other Similar products are found below :

[6450822-1](#) [770392-1](#) [794042-1](#) [796885-1](#) [8-794535-1](#) [PLR3455ACS-222](#) [R929991004](#) [R929993003](#) [1403611-1](#) [1-480349-5](#) [152302-5](#)
[153211-2](#) [1586092-1](#) [1586129-1](#) [1586681-4](#) [1586700-1](#) [1586368-1](#) [1586380-1](#) [1586616-1](#) [1586680-5](#) [16-06-0038](#) [164164-5](#) [1-6609930-1](#)
[172296-1](#) [19-09-2035](#) [200503-1](#) [200788-2](#) [2029090-4](#) [2029095-4](#) [925061-7](#) [293734-4](#) [293737-2](#) [1-765362-4](#) [1-794606-3](#) [1871534-1](#)
[200833-4](#) [2008625-2](#) [2029027-2](#) [2029096-4](#) [R929991000](#) [R929991002](#) [R929993000](#) [319-10-101-00-005000](#) [319-10-102-00-001000](#)
[319-10-104-00-001000](#) [319-10-105-00-001000](#) [319-10-108-00-001000](#) [319-10-112-00-006000](#) [39-01-8019](#) [319-10-101-00-001000](#)