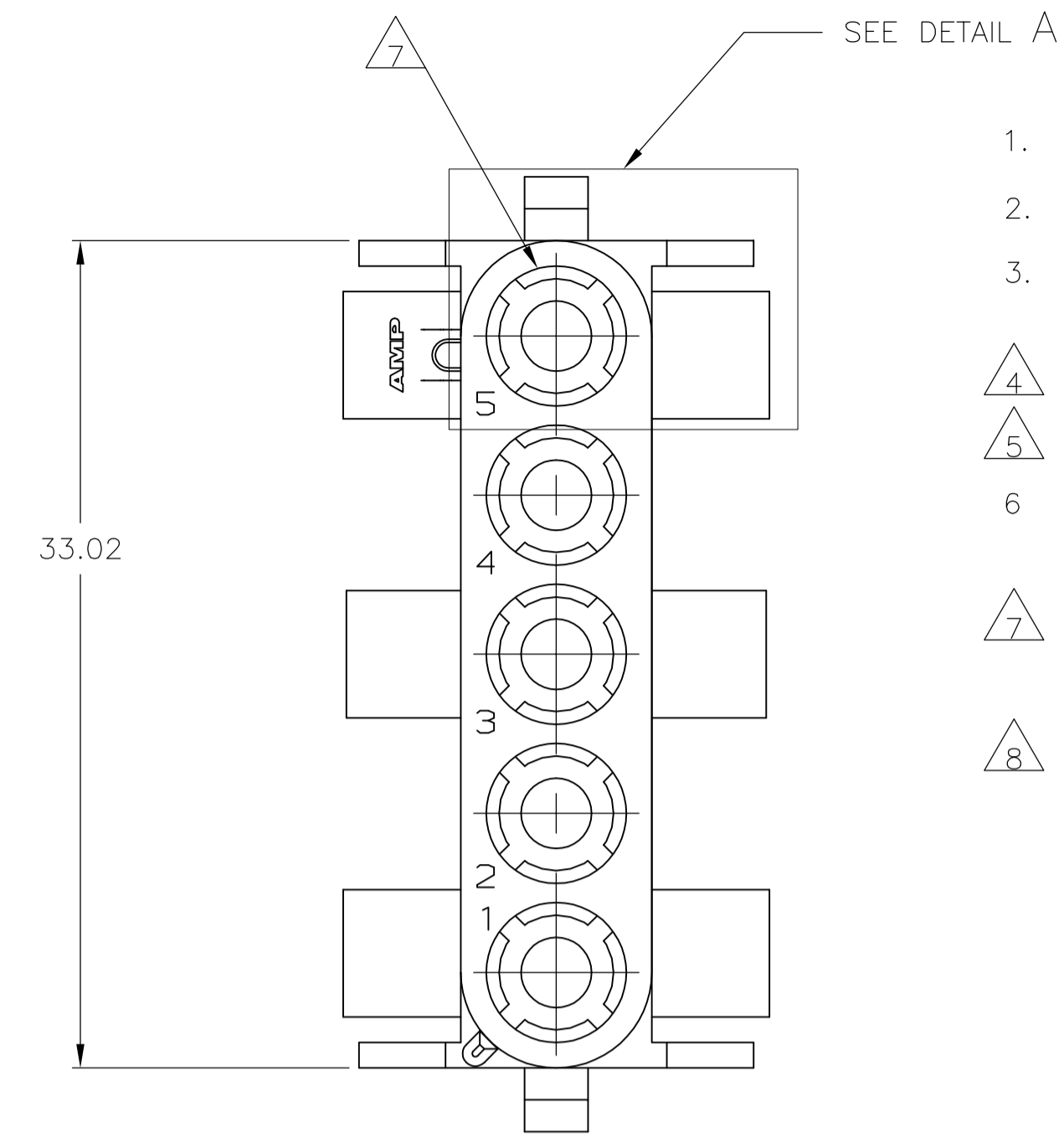
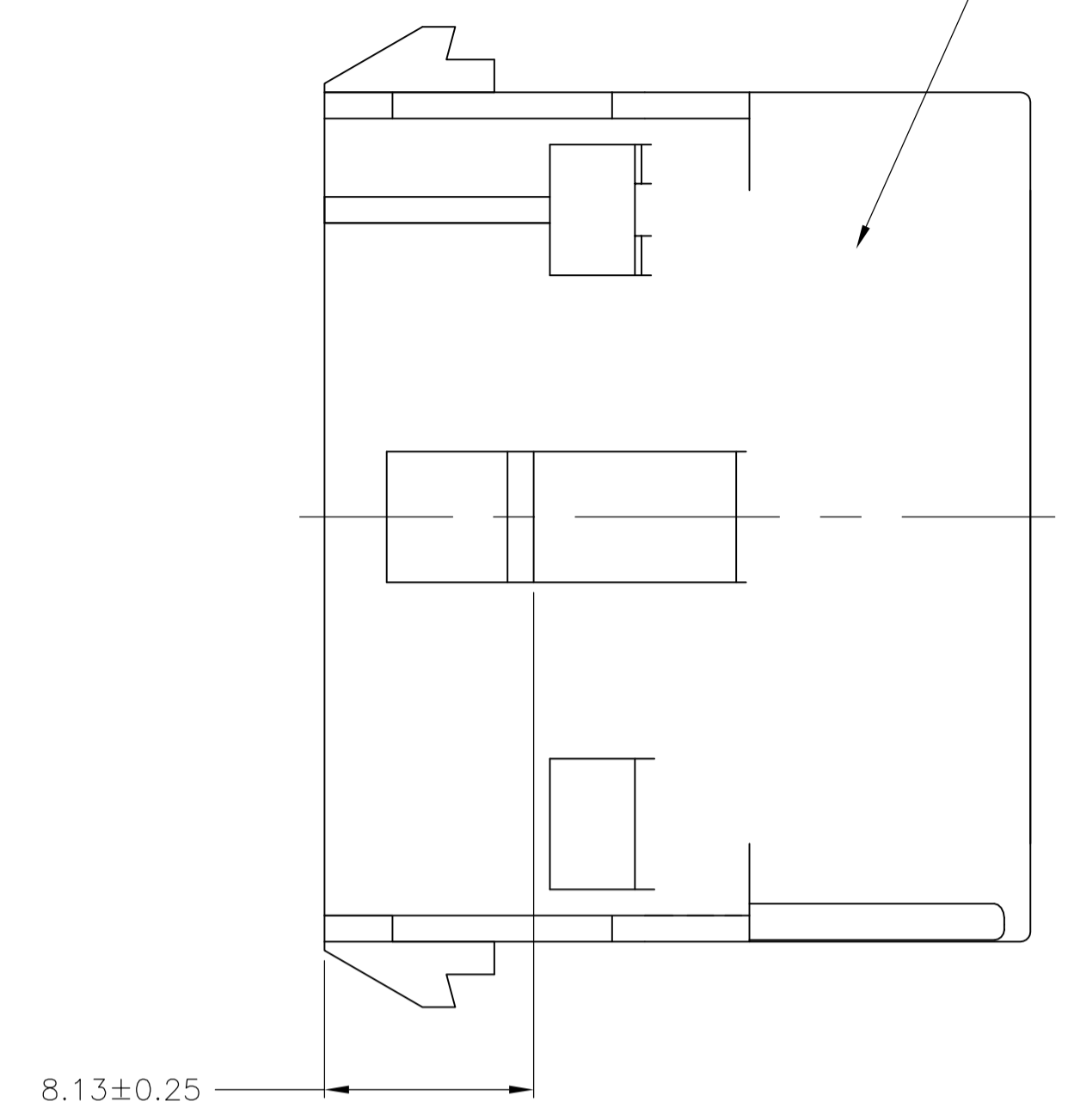
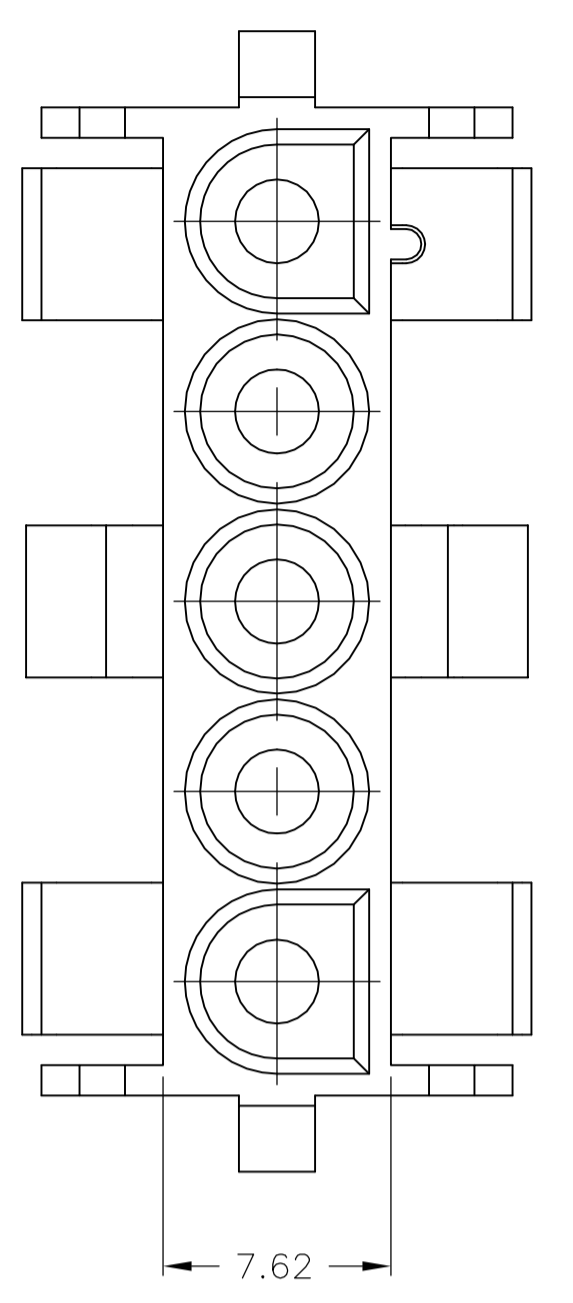
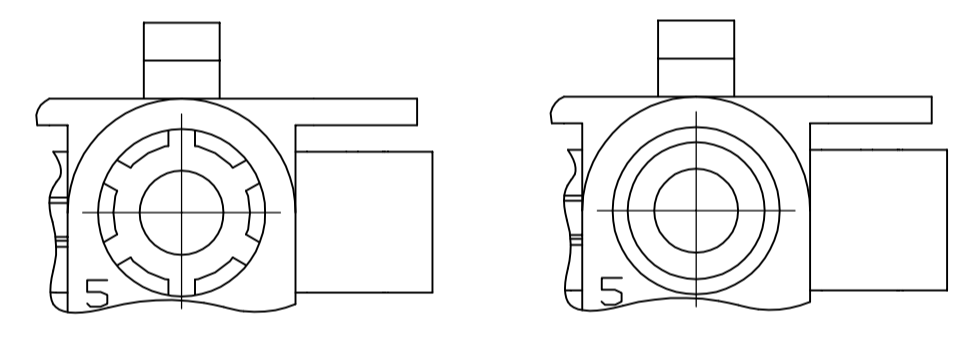


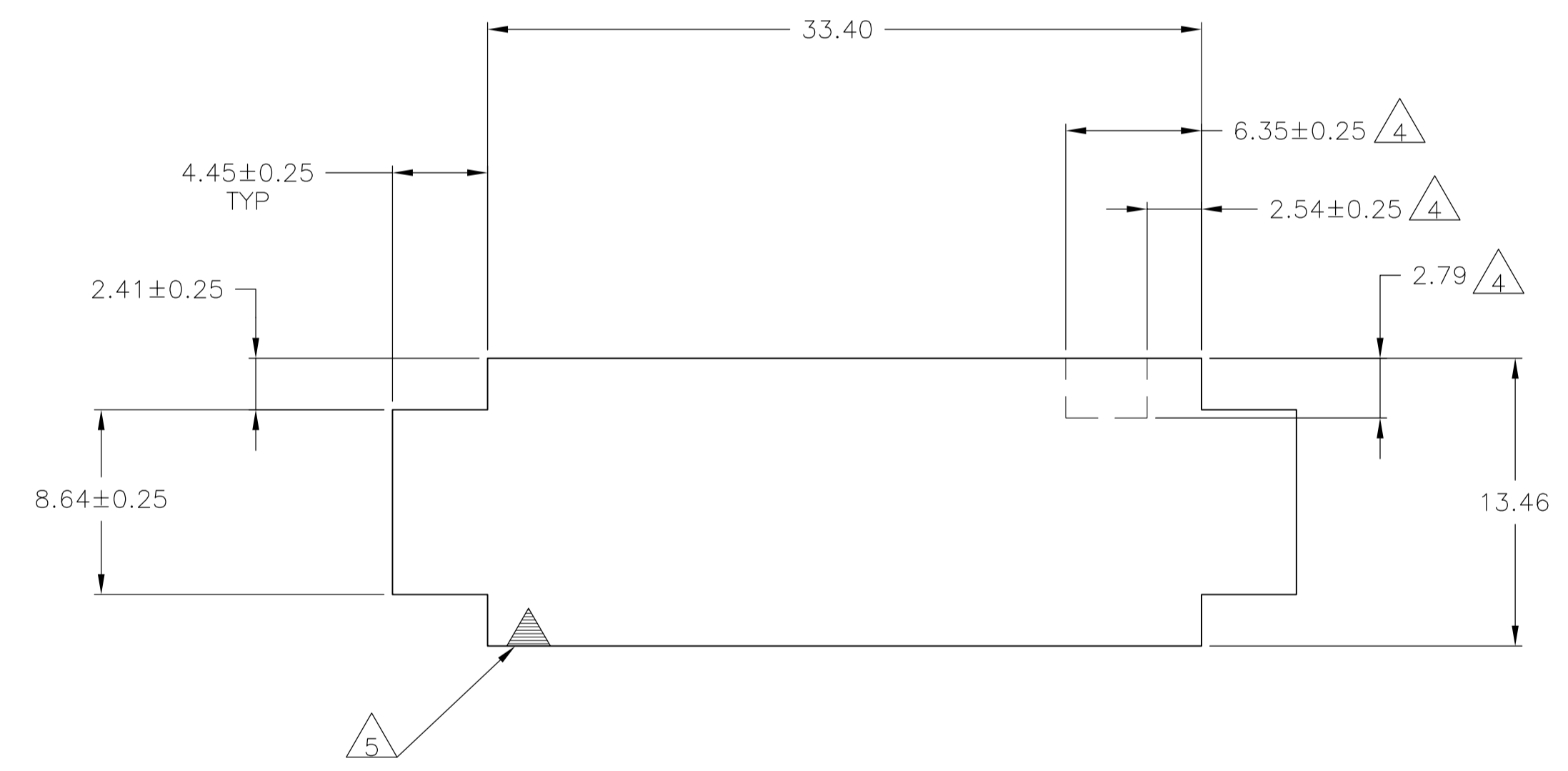
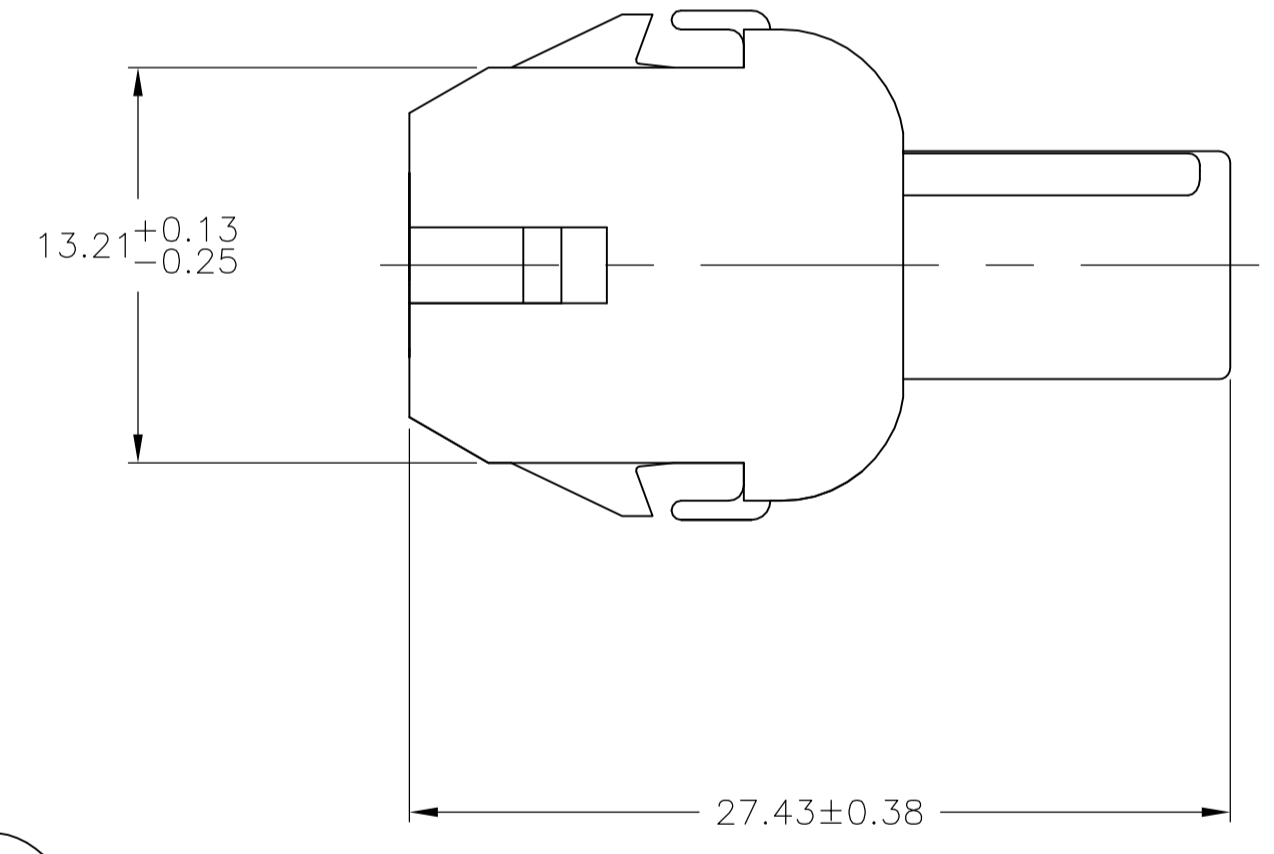
REVISIONS				
P	LTR	DESCRIPTION	DATE	APP'D
W6		REVISED PER ECR-17-014291	27SEP2017	JB DZ



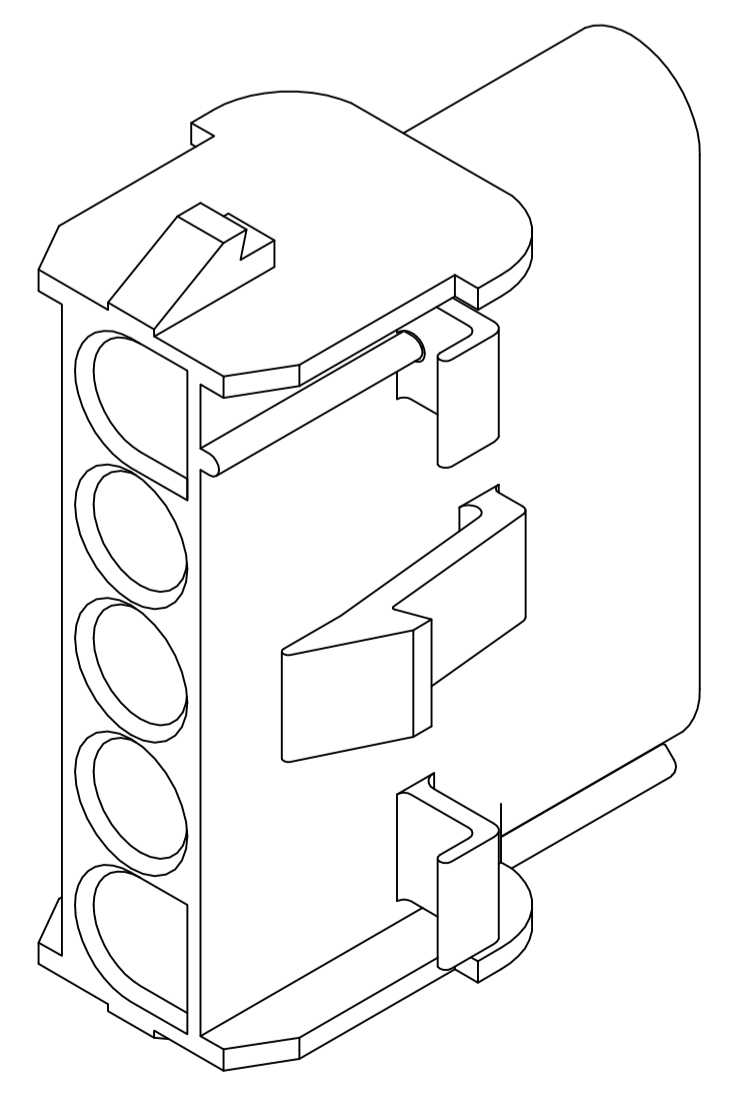
1. MATES WITH APPROPRIATE UNIVERSAL MATE-N-LOK™ PLUG.
2. RECOMMENDED PANEL THICKNESS 0.76 - 2.29.
3. PANEL MUST BE PUNCHED SO THAT THE HOUSING ENTERS THE PANEL IN THE SAME DIRECTION AS THE PUNCH.
- △4 OPTIONAL FOR KEYING HOUSING IN PANEL.
- △5 CIRCUIT NUMBER 1 LOCATION.
- 6 DIMENSIONS SHOWN REPRESENT PRODUCT IN DRY, AS MOLDED, CONDITION. ADDITIONAL 2% GROWTH DUE TO SUBSEQUENT MOISTURE ABSORPTION MAY OCCUR AND SHOULD BE ACCOUNTED FOR.
- △7 FOUR RIBS EQUALLY SPACED, NO SPECIFIC ORIENTATION. NO RIBS OR SIX RIBS EQUALLY SPACED, NO SPECIFIC ORIENTATION, OPTIONAL.
- △8 UNDERWRITERS RECOGNIZED COMPONENT LOGO AND CSA CERTIFICATION LOGO TO BE LOCATED ONCE EACH ON SIDE OF HOUSING.



DETAIL E
OPTIONAL CONSTRUCTIONS



RECOMMENDED PANEL CUT OUT



3-DIMENSIONAL MODEL
NTS

4.45	.175	33.40	1.315
2.79	.110	33.02	1.300
2.54	.100	27.43	1.080
2.41	.095	13.46	.530
2.29	.090	13.21	.520
0.76	.030	8.64	.340
0.38	.015	8.13	.320
0.25	.010	7.62	.300
0.13	.005	6.35	.250
MM	IN	MM	IN

CONVERSION TABLE

CUSTOMER RESTRICTED GWT 750°C (NO FLAME)	COLOR	PART NUMBER
	NATURAL	350810-3
	NATURAL	350810-2
	BLACK	1-350810-9
	GRAY	1-350810-8
	BLUE	1-350810-6
	GREEN	1-350810-5
	YELLOW	1-350810-4
	ORANGE	1-350810-3
	RED	1-350810-2
	BROWN	1-350810-1
	NATURAL	350810-1
	COLOR	PART NUMBER

THIS DRAWING IS A CONTROLLED DOCUMENT. DWN K. WHITAKER 07JUL92
CHK R. SWING 07JUL92
APVD D. SELF 08JUL92

TE Connectivity

CAP.5 CIRCUIT, UNIVERSAL MATE-N-LOK™

MATERIAL: NYLON,UL 94V-0
FINISH: -
WEIGHT: 0.000000

SIZE: A1
CAGE CODE: 00779
DRAWING NO: C=350810
SCALE: 4:1
SHEET: 1 OF 1
REV: W6

X-ON Electronics

Largest Supplier of Electrical and Electronic Components

Click to view similar products for [Pin & Socket Connectors](#) category:

Click to view products by [TE Connectivity](#) manufacturer:

Other Similar products are found below :

[6450822-1](#) [770392-1](#) [796885-1](#) [8-794535-1](#) [PLR3455ACS-222](#) [R929991004](#) [R929993001](#) [R929993003](#) [1403611-1](#) [1-480349-5](#) [152302-5](#)
[1586091-1](#) [1586092-1](#) [1586129-1](#) [1586681-4](#) [1586700-1](#) [1586368-1](#) [1586380-1](#) [1586616-1](#) [1586680-5](#) [164164-5](#) [1-6609930-1](#) [172296-1](#)
[19-09-2035](#) [200503-1](#) [200788-2](#) [2029090-4](#) [2029095-4](#) [925061-7](#) [293734-4](#) [293737-2](#) [1-765362-4](#) [1-794606-3](#) [200833-4](#) [2008625-2](#)
[2029027-2](#) [2029096-4](#) [R929991000](#) [R929991002](#) [R929993000](#) [319-10-101-00-005000](#) [319-10-102-00-001000](#) [319-10-104-00-001000](#)
[319-10-105-00-001000](#) [319-10-108-00-001000](#) [319-10-112-00-006000](#) [39-01-8019](#) [319-10-101-00-001000](#) [319-10-102-00-005000](#)
[39-03-6151](#)