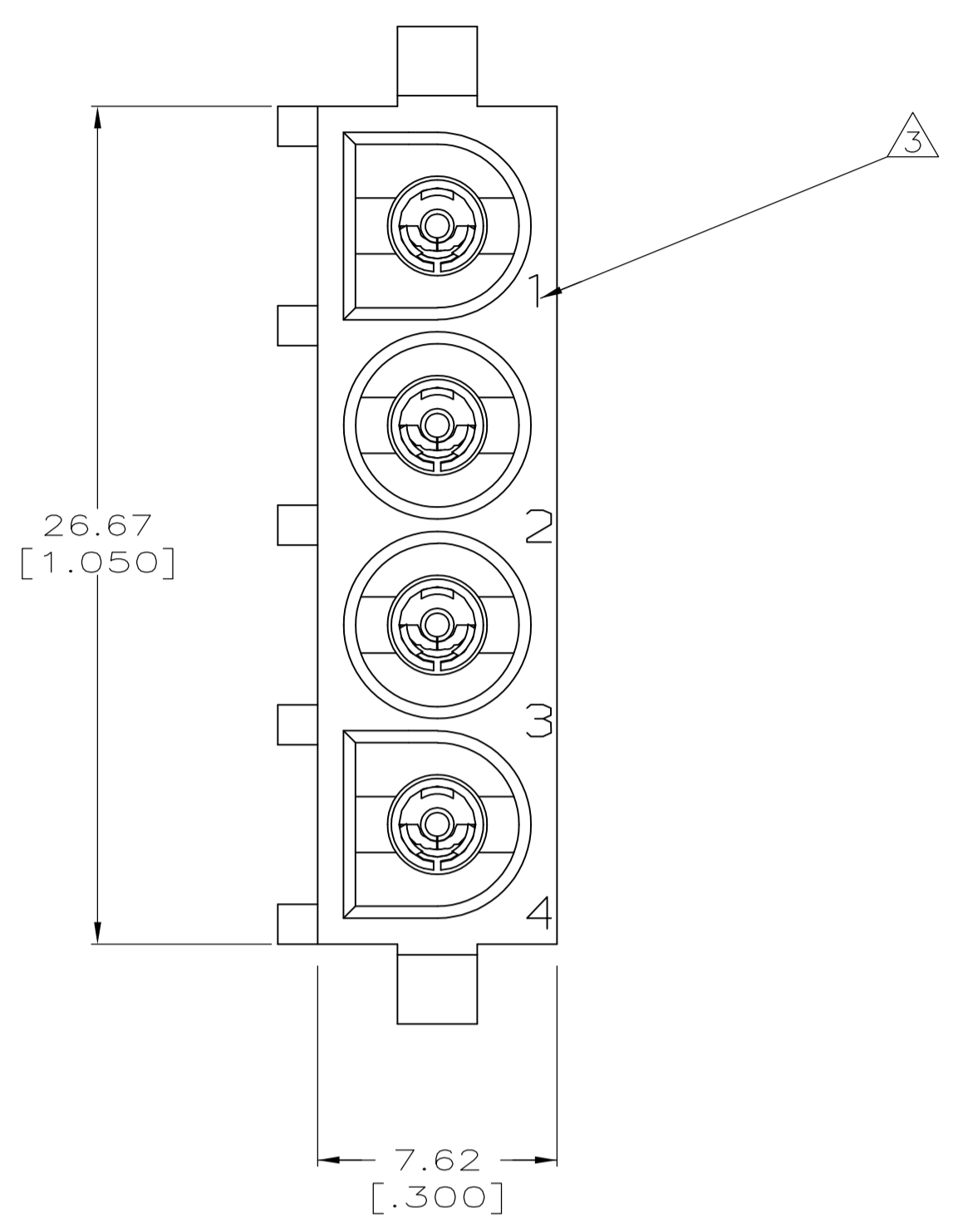
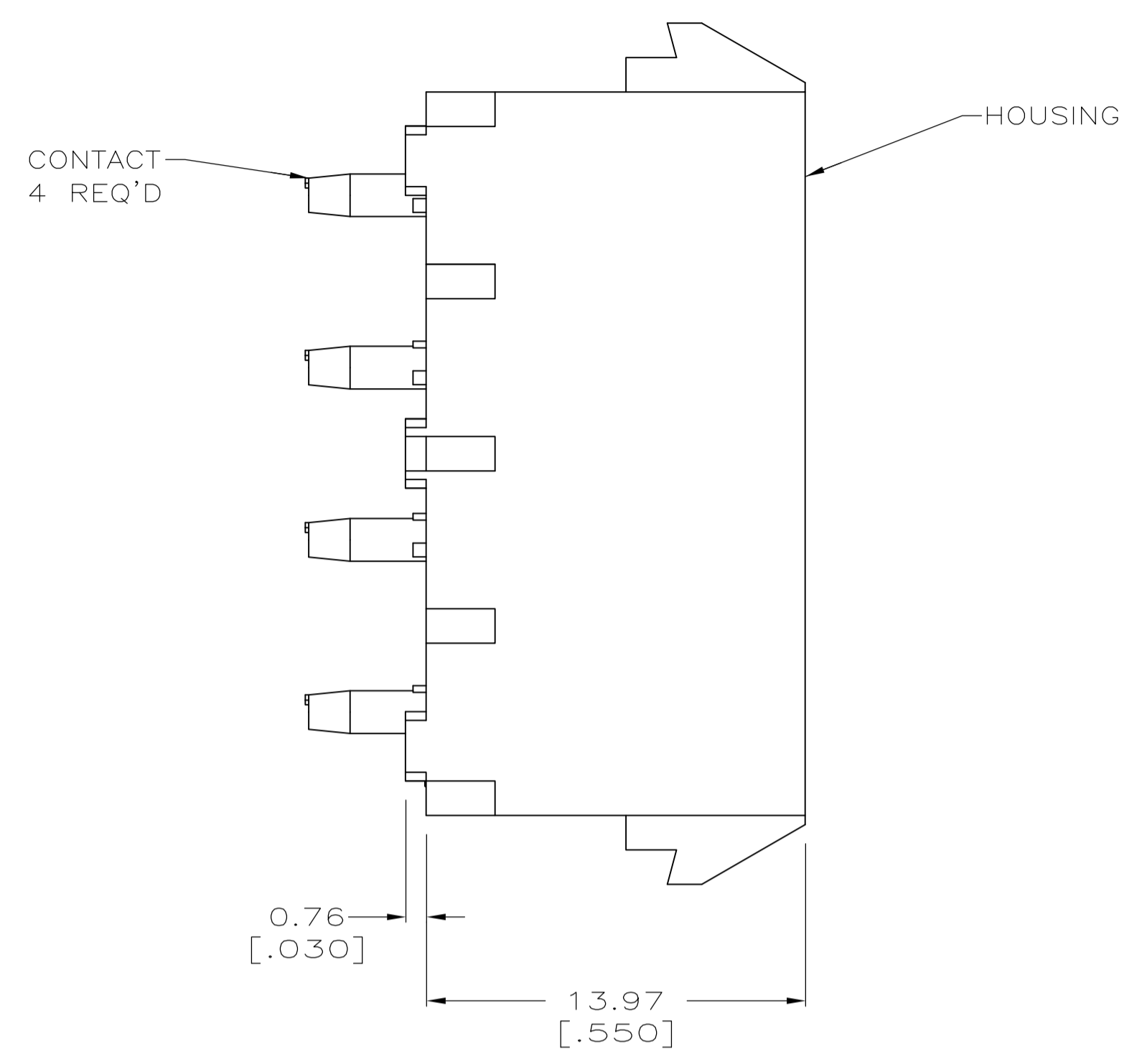
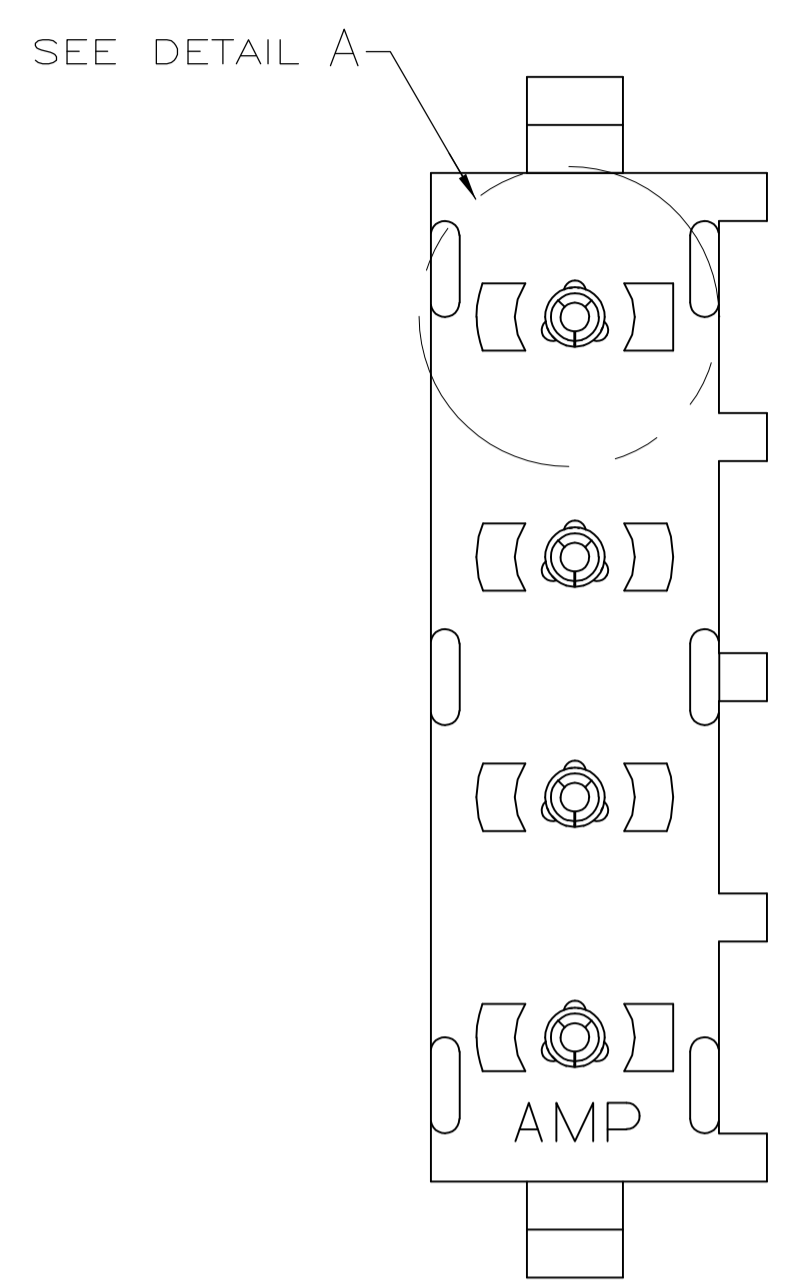
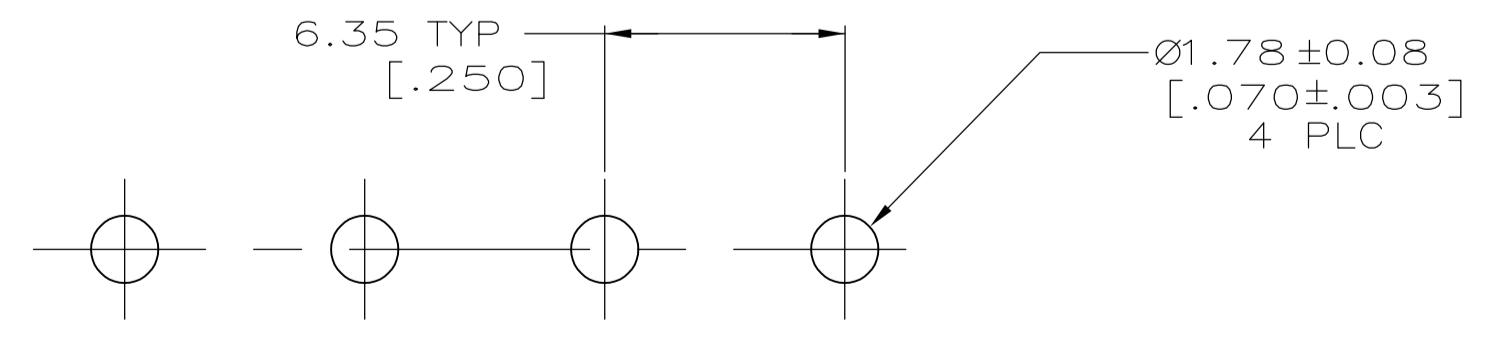
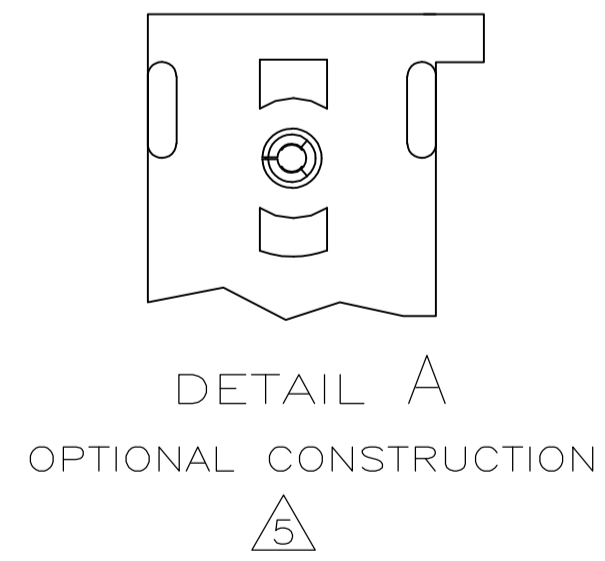
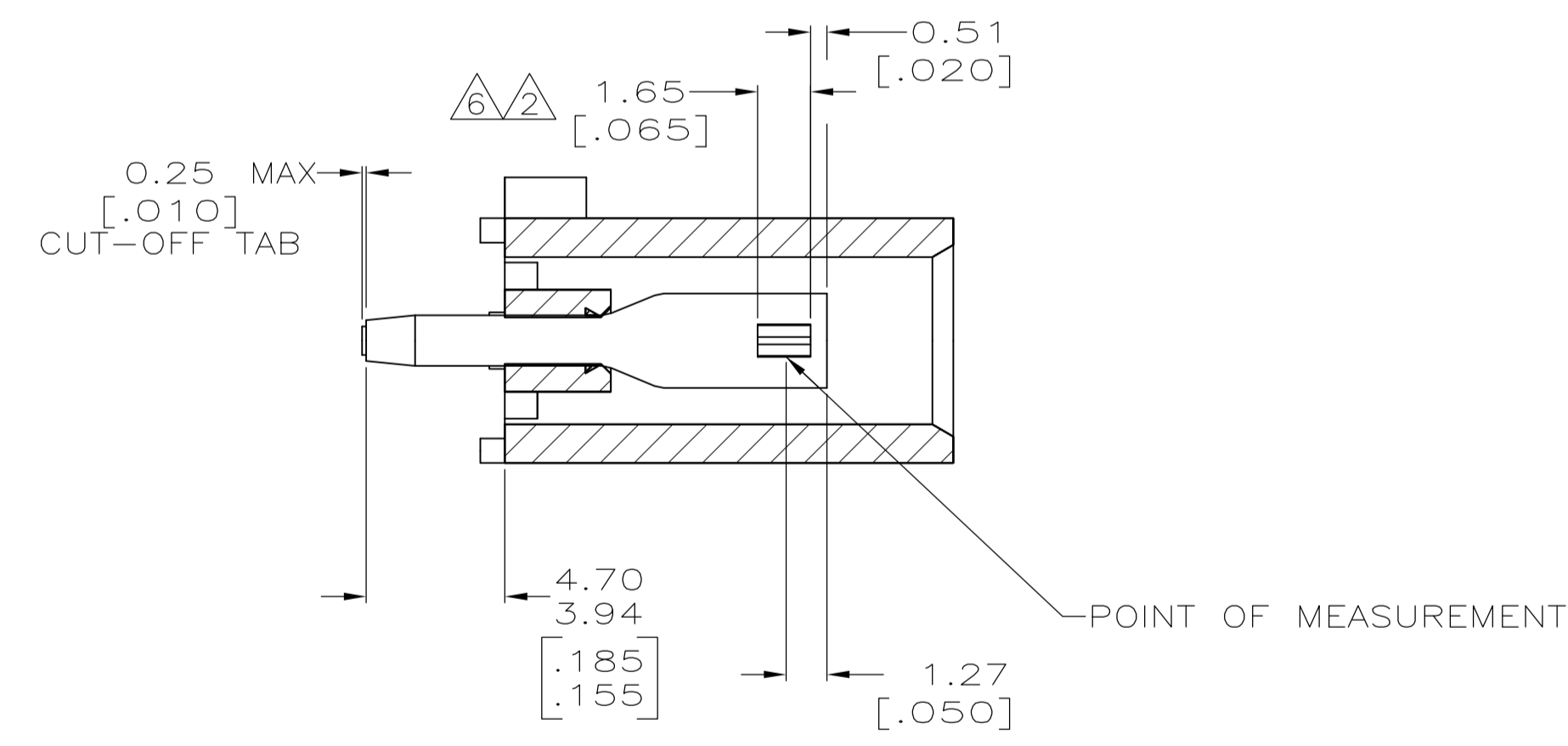
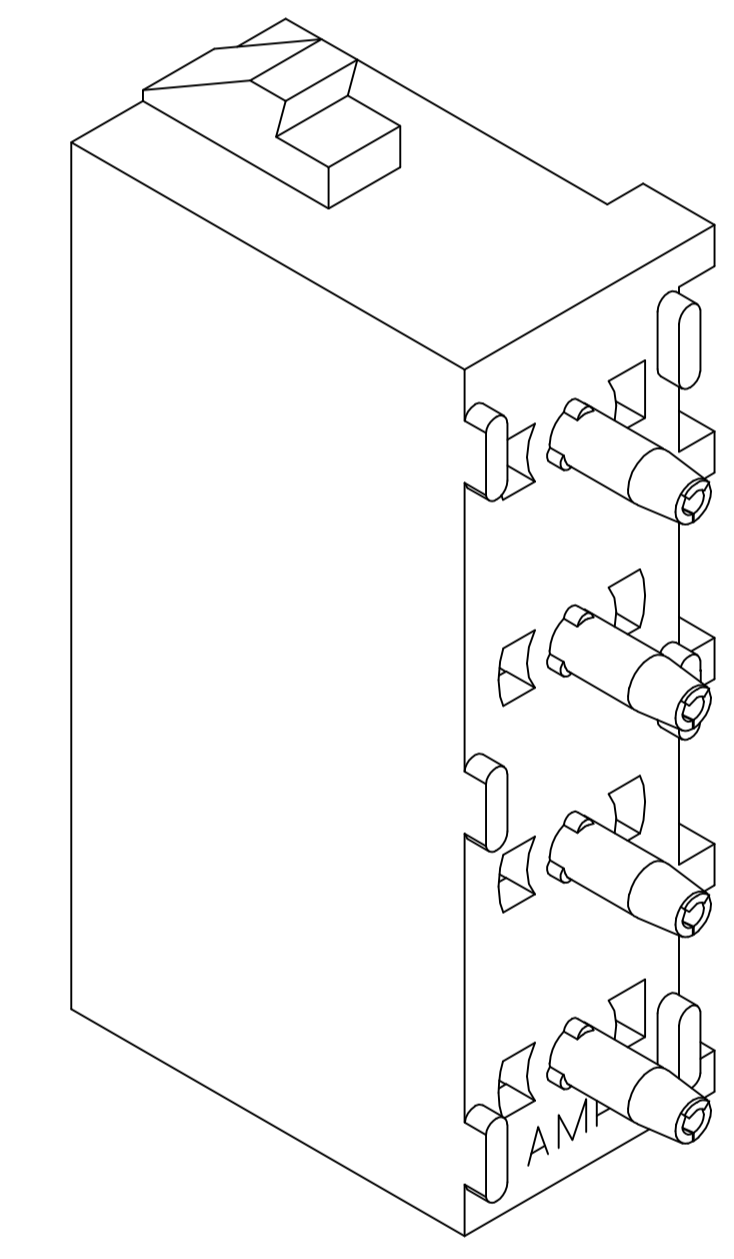


| LOC | | DIST | | REVISIONS | | | |
|-----|---------------------------|---------|-----|-----------|--|--|--|
| P | LTR | DATE | DMN | APVD | | | |
| P2 | REVISED PER ECR-12-011660 | 25JAN13 | KH | TM | | | |



- 1 PARTS COMPLY TO AMP SOLDERABILITY SPECIFICATION 109-11-3.
- 2 CONTACT IS PLATED OVERALL WITH 0.00127 [.000050] NICKEL, THEN 0.00076 [.000030] GOLD OVER CONTACT LENGTH INDICATED AND MATTE TIN LEAD ON SOLDER TAIL END.
- 3 CIRCUIT IDENTIFICATION CHARACTERS ARE ADJACENT TO THE INDICATED CAVITIES, BUT LOCATION AND ORIENTATION MAY DIFFER FROM PRINT.
- 4 DIMENSIONS IN BRACKETS ARE IN INCHES.
- 5 DRAIN HOLES LOCATED AS SHOWN. OPTIONAL CONSTRUCTION - ALL DRAIN HOLES LOCATED 90° AS SHOWN IN DETAIL A.
- 6 CONTACT IS PLATED OVERALL WITH 0.00127 [.000050] NICKEL, THEN 0.00076 [.000030] GOLD OVER CONTACT LENGTH INDICATED AND MATTE TIN ON SOLDER TAIL END.
- 7 SUPERSEDED BY 350826-4



| | | |
|-----------------------------|-----------------------|-------------|
| PHOSPHOR BRONZE, GOLD | NYLON, UL94V-0, WHITE | 350826-4 |
| PHOSPHOR BRONZE, GOLD | NYLON, UL94V-0, WHITE | 350826-2 |
| PHOSPHOR BRONZE, PRE-TIN | NYLON, UL94V-0, WHITE | 350826-1 |
| CONTACT MATERIAL AND FINISH | HOUSING MATERIAL | PART NUMBER |

| | | | | |
|--|------------------|-------------------------|---|---------------------|
| THIS DRAWING IS A CONTROLLED DOCUMENT. | | DIN R LEWIS 10-02-98 | STE TE Connectivity | |
| DIMENSIONS: mm [INCHES] | | CIK R SWING 10-02-98 | NAME: SOCKET HEADER ASSEMBLY, 4 CIRCUIT UNIVERSAL MATE-N-LOK™ | |
| TOLERANCES UNLESS OTHERWISE SPECIFIED: | | APVD M TRULL 10-02-98 | PRODUCT SPEC | |
| 0 PLC ± - | 1 PLC ± - | APPLICATION SPEC | | |
| 2 PLC ± 0.13 [.005] | 3 PLC ± - | SIZE: A1 00779 C=350826 | | |
| 4 PLC ± - | ANGLES ± ± 0°30' | RESTRICTED TO | | |
| MATERIAL SEE TABLE | FINISH SEE TABLE | WEIGHT | SCALE: 5:1 | SHEET 1 OF 1 REV P2 |

X-ON Electronics

Largest Supplier of Electrical and Electronic Components

Click to view similar products for [Pin & Socket Connectors](#) category:

Click to view products by [TE Connectivity](#) manufacturer:

Other Similar products are found below :

[6450822-1](#) [770392-1](#) [794042-1](#) [796885-1](#) [8-794535-1](#) [PLR3455ACS-222](#) [R929991004](#) [R929993003](#) [1403611-1](#) [1-480349-5](#) [152302-5](#)
[153211-2](#) [1586092-1](#) [1586129-1](#) [1586681-4](#) [1586700-1](#) [1586368-1](#) [1586380-1](#) [1586616-1](#) [1586680-5](#) [16-06-0038](#) [164164-5](#) [1-6609930-1](#)
[172296-1](#) [19-09-2035](#) [200503-1](#) [200788-2](#) [2029090-4](#) [2029095-4](#) [925061-7](#) [293734-4](#) [293737-2](#) [1-765362-4](#) [1871534-1](#) [200833-4](#)
[2008625-2](#) [2029027-2](#) [2029096-4](#) [R929991000](#) [R929991002](#) [R929993000](#) [319-10-101-00-005000](#) [319-10-102-00-001000](#) [319-10-104-00-001000](#) [319-10-105-00-001000](#) [319-10-108-00-001000](#) [319-10-112-00-006000](#) [39-01-8019](#) [319-10-101-00-001000](#) [319-10-102-00-005000](#)