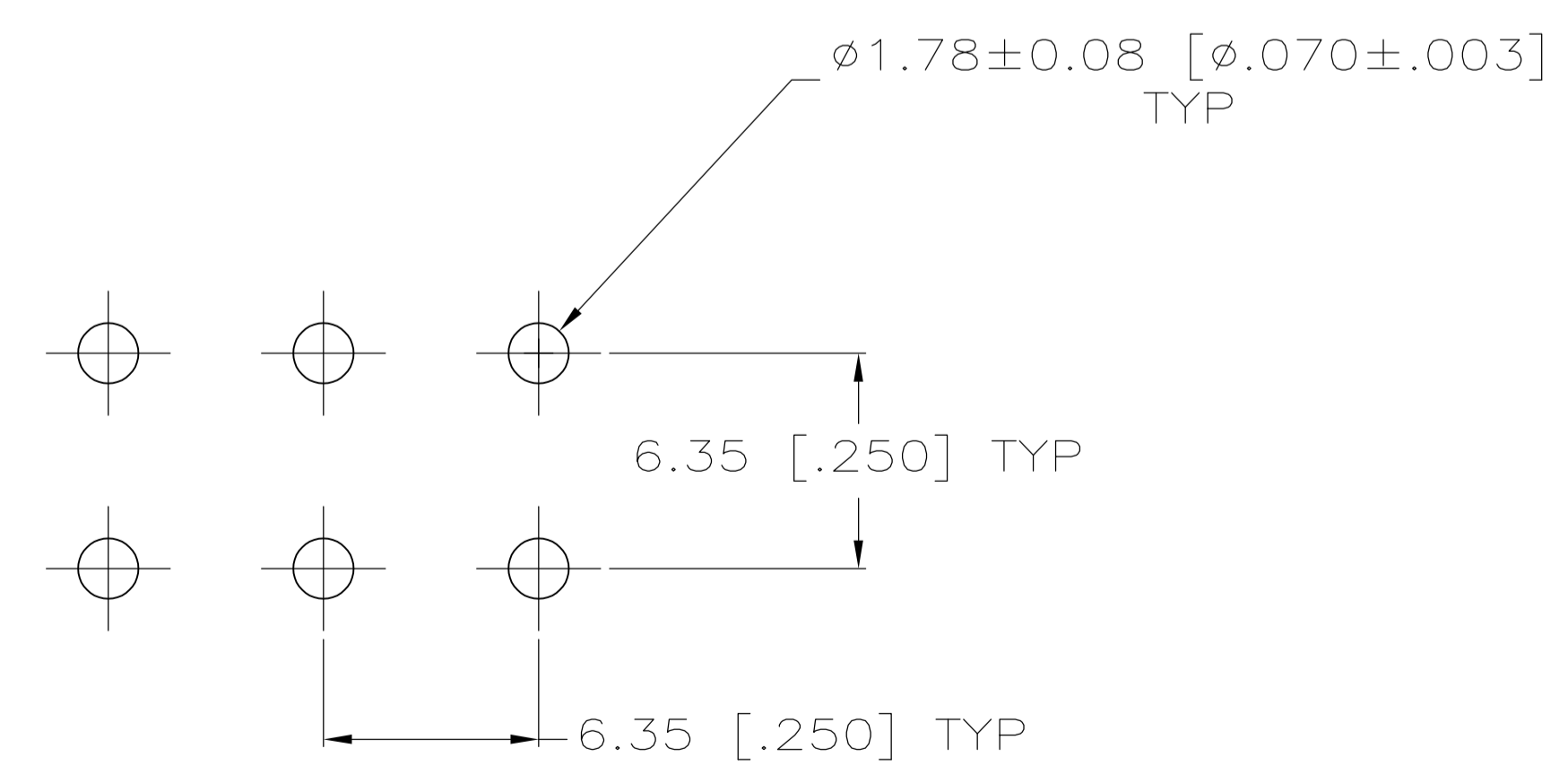
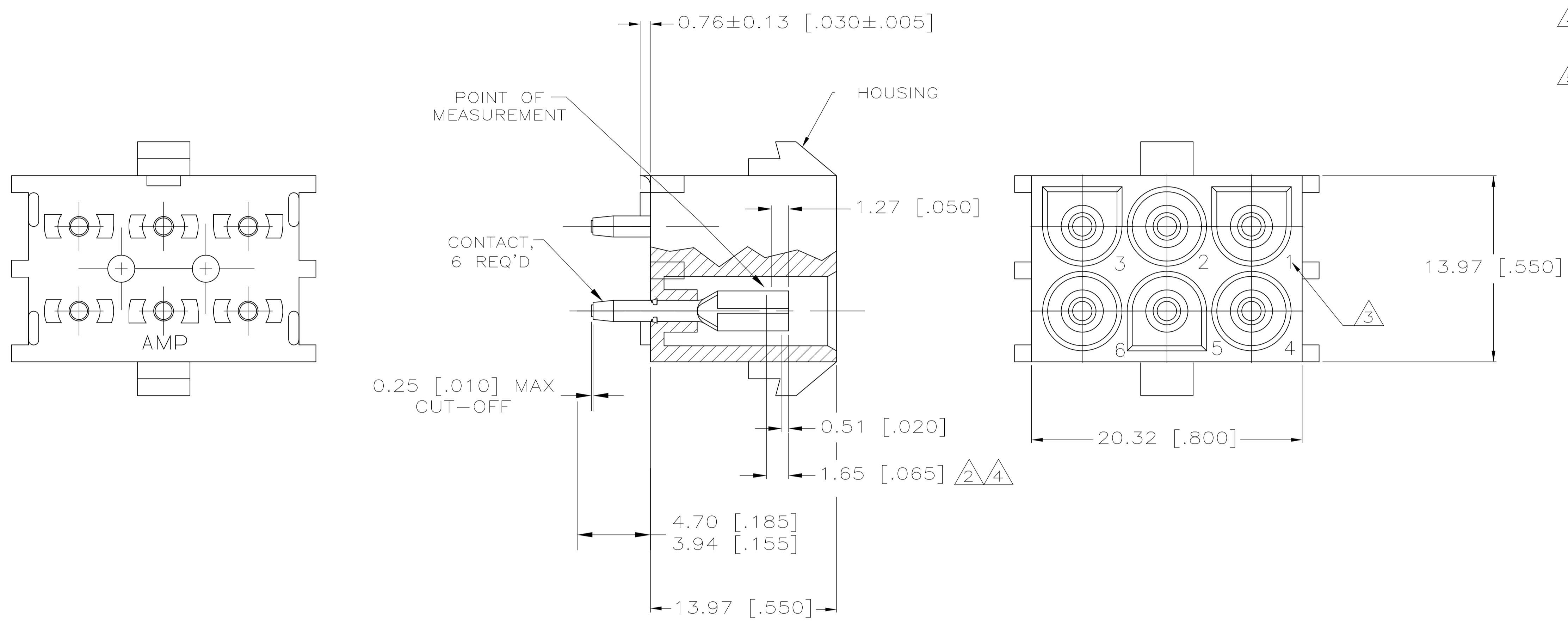


| LOC |    | DIST                      |         | REVISIONS |     |      |  |
|-----|----|---------------------------|---------|-----------|-----|------|--|
| CM  | 00 | REV                       | DATE    | BY        | CHK | APPV |  |
| M2  |    | REVISED PER ECR-12-011660 | 25JAN13 | KH        |     | TM   |  |

- 1 PARTS MUST COMPLY WITH AMP SOLDERABILITY SPEC 109-11-3.
- 2 CONTACT IS STAMPED FROM PRE-PLATED STOCK WHICH IS PLATED OVERALL WITH 0.00127 [.000050] NICKEL, THEN STRIPED WITH 0.00076 [.000030] GOLD IN CONTACT AREA INDICATED AND TIN-LEAD ON SOLDER TAIL END.
- 3 CIRCUIT IDENTIFICATION CHARACTERS ARE ADJACENT TO THE INDICATED CAVITIES, BUT LOCATION AND ORIENTATION MAY DIFFER FROM PRINT.
- 4 CONTACT IS PLATED OVERALL WITH 0.00127 [.000050] NICKEL, THEN 0.00076 [.000030] GOLD OVER CONTACT LENGTH INDICATED AND MATTE TIN ON SOLDER TAIL END.
- 5 SUPERSEDED BY 350827-4



RECOMMENDED LAYOUT FOR 1.58 [.062] THICK PC BOARD

|   |               |                |          |
|---|---------------|----------------|----------|
| 5 | PH BRZ GOLD 4 | NYLON,UL 94V-0 | 350827-4 |
|   | PH BRZ GOLD 2 | NYLON,UL 94V-0 | 350827-2 |
|   | PH BRZ TIN    | NYLON,UL 94V-0 | 350827-1 |
|   | CONTACT       | HOUSING        | PART NO  |

THIS DRAWING IS A CONTROLLED DOCUMENT.

|                         |  |                            |                           |                            |   |
|-------------------------|--|----------------------------|---------------------------|----------------------------|---|
| DIMENSIONS: mm [INCHES] | TOLERANCES UNLESS OTHERWISE SPECIFIED: | DWG: K. WHITAKER 11OCT2005 | CHK: S. RIDGILL 11OCT2005 | APVD: S. RIDGILL 11OCT2005 | NAME: 6 CIRCUIT UNIVERSAL MATE-N-LOK (TM) P.C. BOARD SOCKET HEADER ASSEMBLY |
| 0 PLC ±                 | 1 PLC ±                                | 2 PLC ±                    | 3 PLC ± 0.13 [.005]       | 4 PLC ±                    | ANGLES ±  |
| MATERIAL: SEE TABLE     | FINISH: SEE TABLE                      | WEIGHT: A1                 | 00779                     | C=350827                   | RESTRICTED TO: CUSTOMER DRAWING   |

SCALE: 5:1 SHEET 1 OF 1 REV M2

## X-ON Electronics

Largest Supplier of Electrical and Electronic Components

*Click to view similar products for [Pin & Socket Connectors](#) category:*

*Click to view products by [TE Connectivity](#) manufacturer:*

Other Similar products are found below :

[6450822-1](#) [770392-1](#) [794042-1](#) [796885-1](#) [8-794535-1](#) [881459-2](#) [R929993003](#) [1-350779-3](#) [1403611-1](#) [1-480349-5](#) [1586092-1](#) [1586129-1](#)  
[1586487-1](#) [1586681-4](#) [1586700-1](#) [1586065-1](#) [1586077-1](#) [1586368-1](#) [1586380-1](#) [1586680-5](#) [1586681-2](#) [1604996-1](#) [16-06-0038](#) [164164-5](#) [1-](#)  
[6609930-1](#) [172296-1](#) [1-794714-6](#) [19-09-2035](#) [1969804-1](#) [200503-1](#) [200788-2](#) [201046-7](#) [202648-4](#) [2029076-2](#) [2029090-4](#) [2029095-4](#) [2-](#)  
[66102-6](#) [925061-7](#) [926681-1](#) [293734-4](#) [293737-2](#) [1-765362-4](#) [1-794606-3](#) [1871534-1](#) [1969795-1](#) [1969798-1](#) [1969800-1](#) [200833-4](#)  
[2008625-2](#) [2029027-2](#)