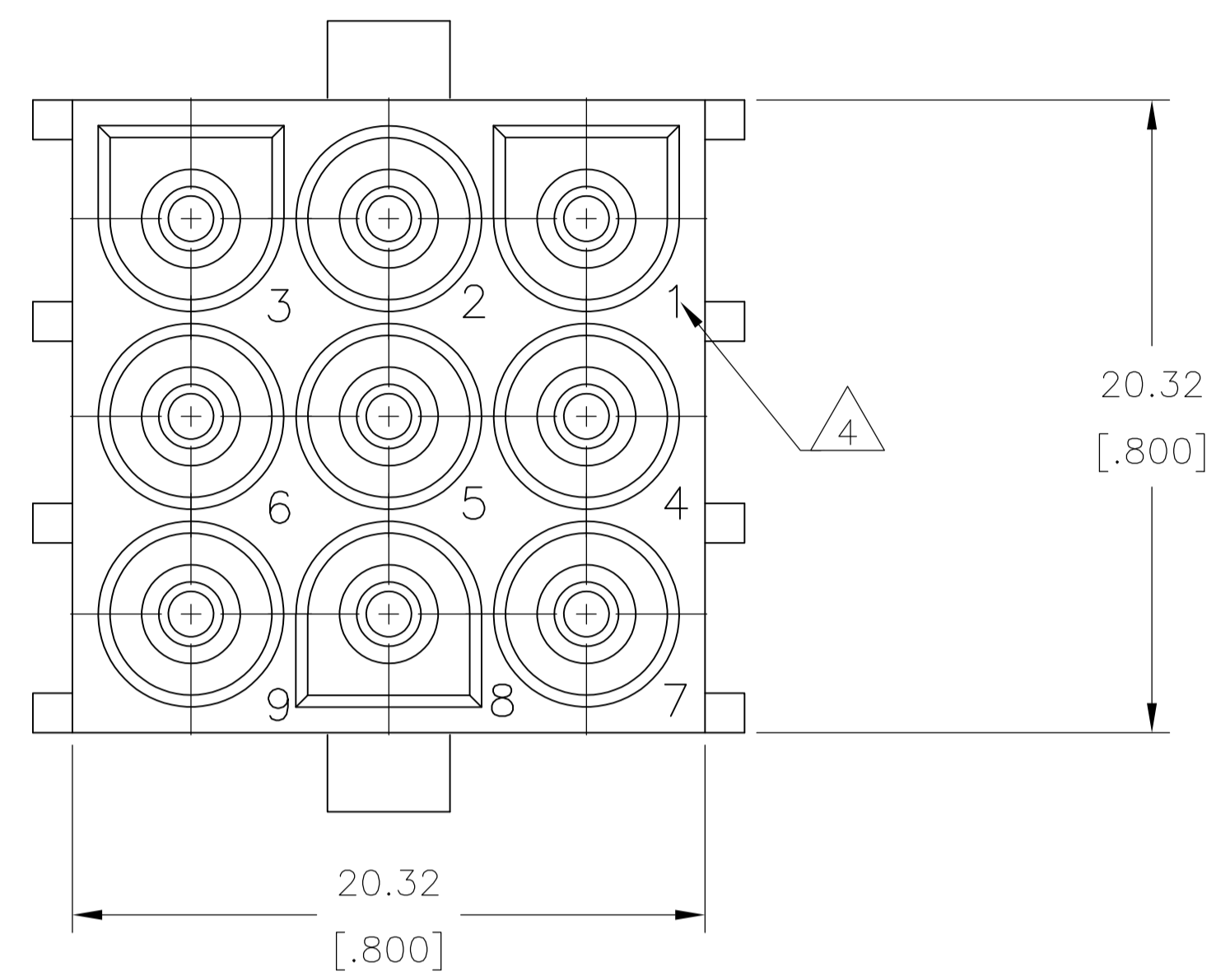
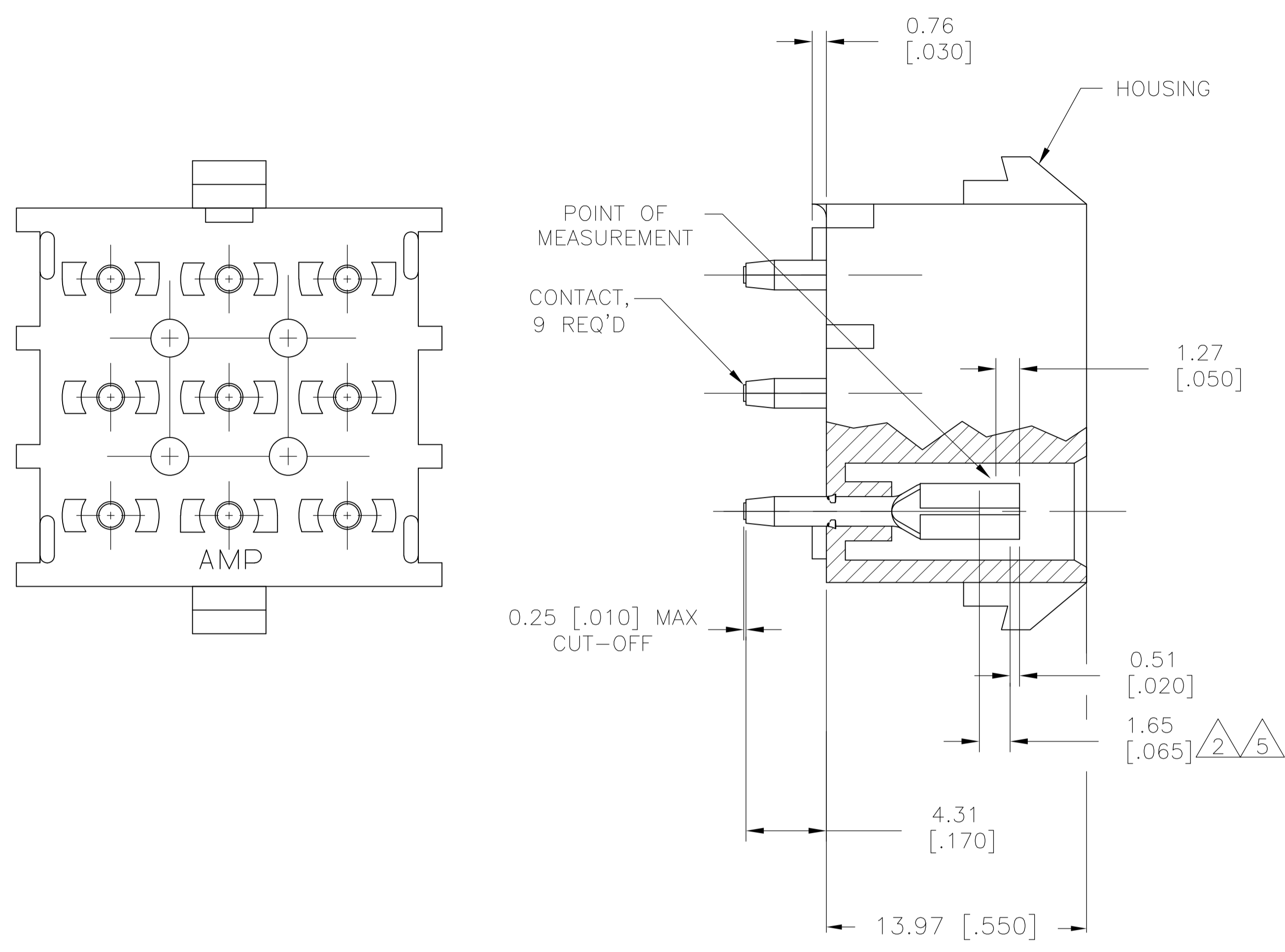
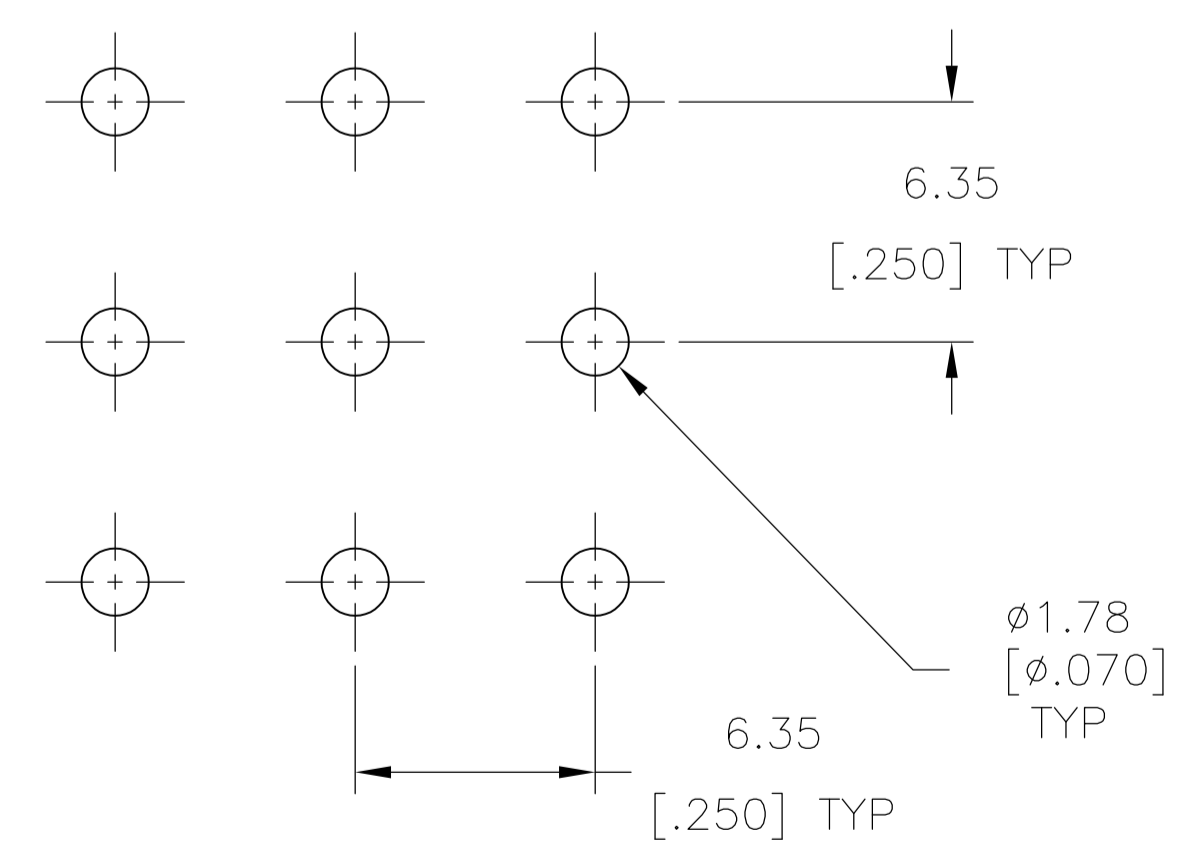


LOC		DIST		REVISIONS			
CM	00	REV	DATE	BY	CHK	APPV	
		R2	28JAN13	REVIS	PER ECR-12-011660	KH	TM
		R3	20AUG14	REVIS	PER ECR-14-011998	AV	KD



- 1 PARTS MUST COMPLY WITH TE SOLDERABILITY SPEC 109-11-3.
- 2 CONTACT IS STAMPED FROM PRE-PLATED STOCK WHICH IS PLATED OVERALL WITH 0.00127 [.000050] NICKEL, THEN STRIPED WITH 0.00076 [.000030] GOLD IN CONTACT AREA INDICATED AND TIN-LEAD ON SOLDER TAIL END.
- 4 CIRCUIT IDENTIFICATION CHARACTERS ARE ADJACENT TO THE INDICATED CAVITIES, BUT LOCATION AND ORIENTATION MAY DIFFER FROM PRINT.
- 5 CONTACT IS PLATED OVERALL WITH 0.00127 [.000050] NICKEL, THEN 0.00076 [.000030] GOLD OVER CONTACT. LENGTH INDICATED AND MATTE TIN ON SOLDER TAIL END.
- 6 WILL ACCEPT 1.98 [.078] DIA PIN
- 7 SUPERSEDED BY 350828-4



RECOMMENDED LAYOUT FOR 1.58 [.062] THICK PC BOARD

CONTACT	HOUSING	PART NO
PH BRZ TIN $\triangle 6$	NYLON,UL 94V-0	350828-5
PH BRZ GOLD $\triangle 5$	NYLON,UL 94V-0	350828-4
PH BRZ GOLD $\triangle 2$	NYLON,UL 94V-0	350828-2
PH BRZ TIN	NYLON,UL 94V-0	350828-1

THIS DRAWING IS A CONTROLLED DOCUMENT.

DIMENSIONS: mm [INCHES]	TOLERANCES UNLESS OTHERWISE SPECIFIED: 0. PLC ± 1. PLC ± 2. PLC ± 3. PLC ± 0.13 [.005] 4. PLC ± ANGLES ±	DWG K. WHITAKER 11OCT2005 CHK S. RIDGILL 11OCT2005 APPV S. RIDGILL 11OCT2005	NAME 9 CIRCUIT UNIVERSAL MATE-N-LOK (TM) P.C. BOARD SOCKET HEADER ASSEMBLY
MATERIAL SEE TABLE	FINISH SEE TABLE	WEIGHT A1 00779 C=350828	RESTRICTED TO

CUSTOMER DRAWING SCALE 5:1 SHEET 1 OF 1 REV R3

X-ON Electronics

Largest Supplier of Electrical and Electronic Components

Click to view similar products for [Pin & Socket Connectors](#) category:

Click to view products by [TE Connectivity](#) manufacturer:

Other Similar products are found below :

[6450822-1](#) [770392-1](#) [794042-1](#) [796885-1](#) [8-794535-1](#) [PLR3455ACS-222](#) [R929991004](#) [R929993003](#) [1403611-1](#) [1-480349-5](#) [152302-5](#)
[153211-2](#) [1586092-1](#) [1586129-1](#) [1586681-4](#) [1586700-1](#) [1586368-1](#) [1586380-1](#) [1586616-1](#) [1586680-5](#) [16-06-0038](#) [164164-5](#) [1-6609930-1](#)
[172296-1](#) [19-09-2035](#) [200503-1](#) [200788-2](#) [2029090-4](#) [2029095-4](#) [925061-7](#) [293734-4](#) [293737-2](#) [1-765362-4](#) [1871534-1](#) [200833-4](#)
[2008625-2](#) [2029027-2](#) [2029096-4](#) [R929991000](#) [R929991002](#) [R929993000](#) [319-10-101-00-005000](#) [319-10-102-00-001000](#) [319-10-104-00-001000](#) [319-10-105-00-001000](#) [319-10-108-00-001000](#) [319-10-112-00-006000](#) [39-01-8019](#) [319-10-101-00-001000](#) [319-10-102-00-005000](#)