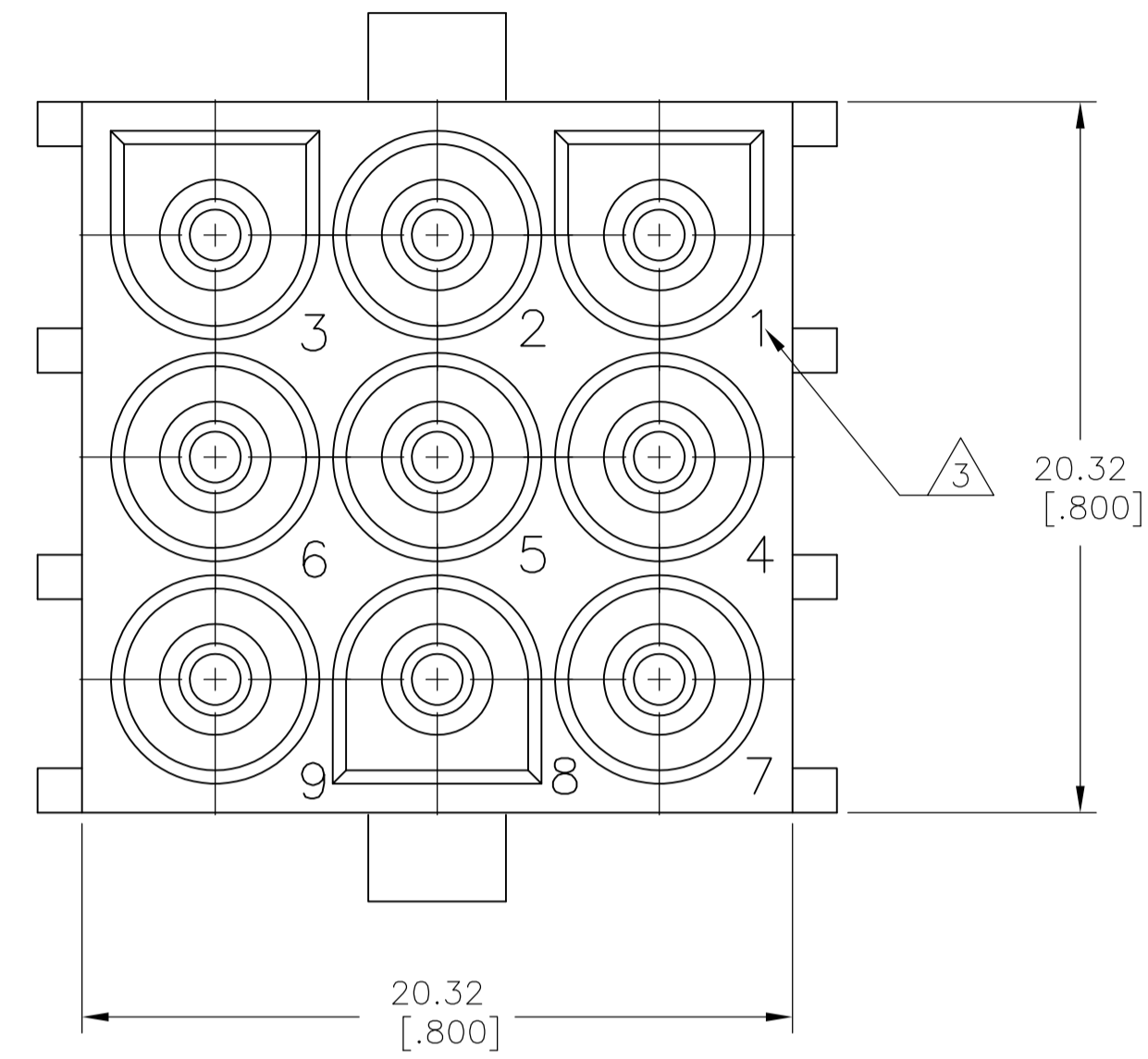
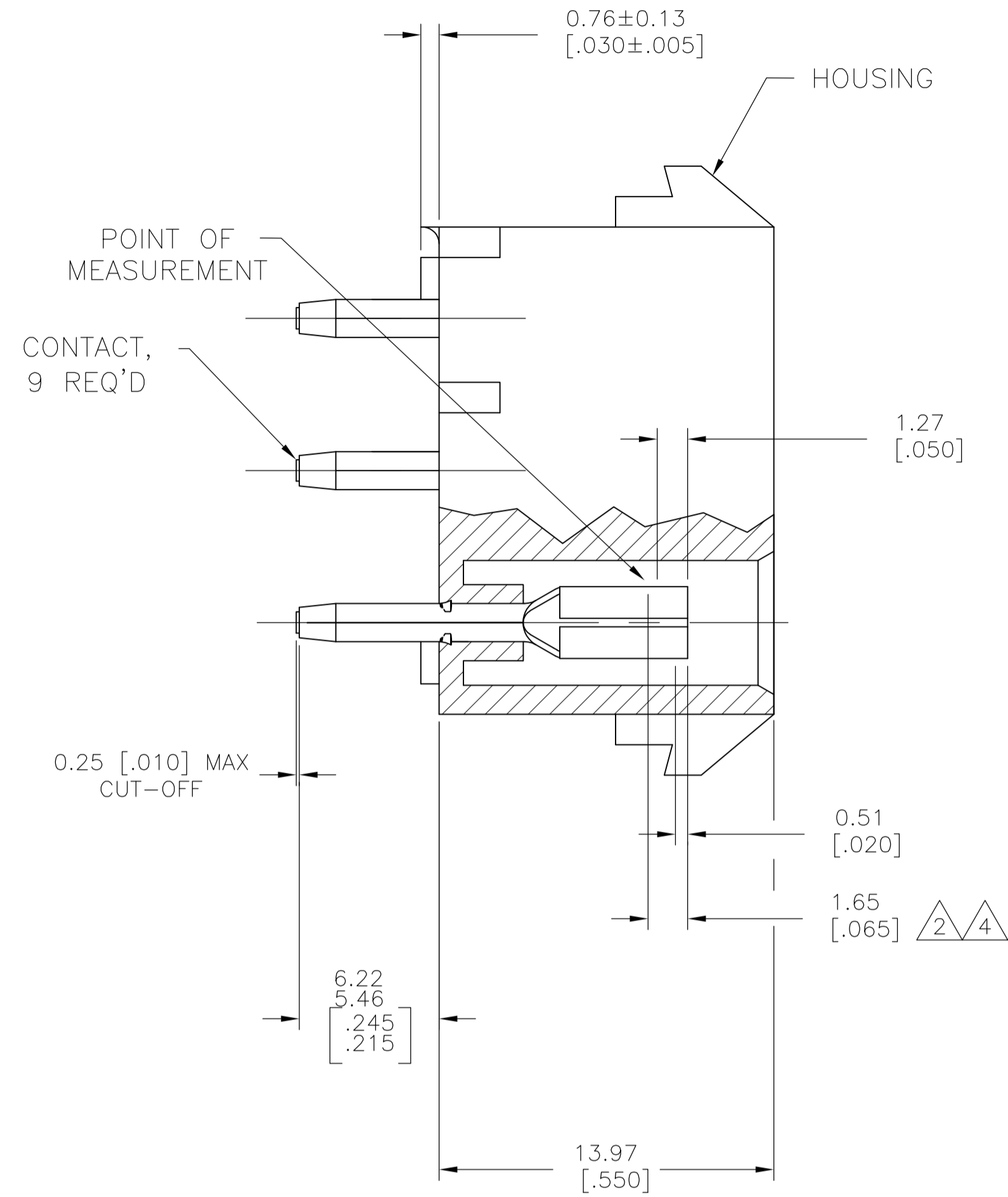
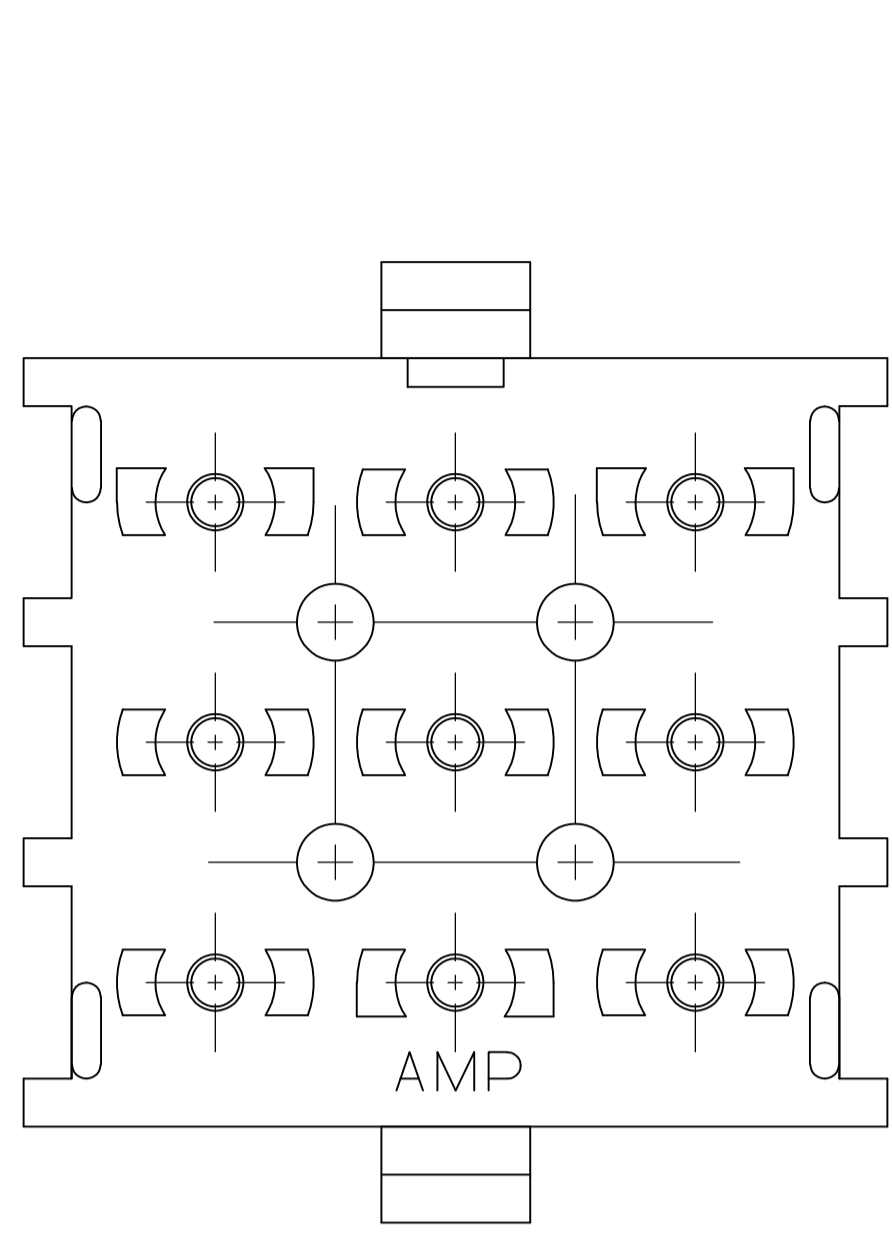
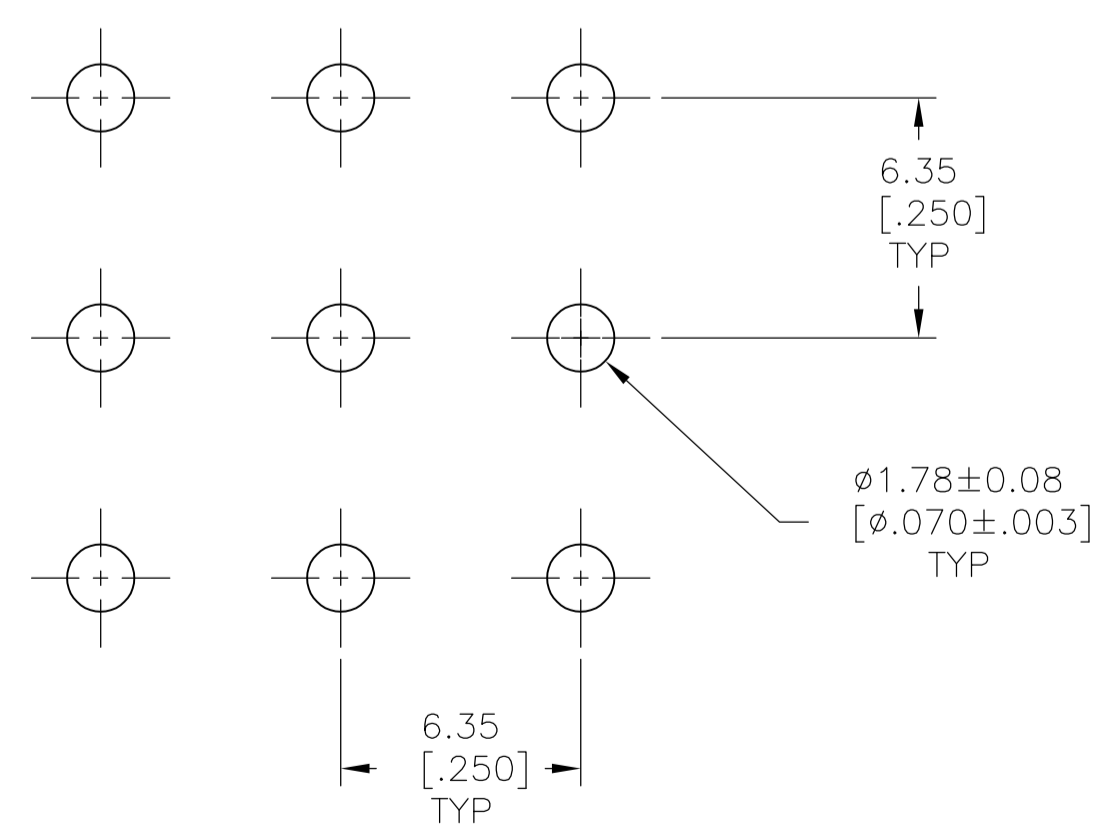


| LOC | | DIST | | REVISIONS | | | |
|-----|---------------------------|---------|------|-----------|-----|------|--|
| CM | 00 | REV | DATE | BY | CHK | APPV | |
| L2 | REVISED PER ECR-12-011660 | 28JAN13 | KH | TM | | | |



- 1 PARTS MUST COMPLY WITH AMP SOLDERABILITY SPEC 109-11-3.
- 2 CONTACT IS STAMPED FROM PRE-PLATED STOCK WHICH IS PLATED OVERALL WITH 0.00127 [.000050] NICKEL, THEN STRIPED WITH 0.00076 [.000030] GOLD IN CONTACT AREA INDICATED AND TIN-LEAD ON SOLDER TAIL END.
- 3 CIRCUIT IDENTIFICATION CHARACTERS ARE ADJACENT TO THE INDICATED CAVITIES, BUT LOCATION AND ORIENTATION MAY DIFFER FROM PRINT.
- 4 CONTACT IS PLATED OVERALL WITH 0.00127 [.000050] NICKEL, THEN 0.00076 [.000030] GOLD OVER CONTACT LENGTH INDICATED AND MATTE TIN ON SOLDER TAIL END.
- 5 SUPERSEDED BY 350835-4



RECOMMENDED LAYOUT FOR 3.18 [.125] THICK PC BOARD

| | | |
|---------------------------|--------------|----------|
| PH BRZ GOLD $\triangle 4$ | NYLON, 94V-0 | 350835-4 |
| PH BRZ GOLD $\triangle 2$ | NYLON, 94V-0 | 350835-2 |
| PH BRZ TIN | NYLON, 94V-0 | 350835-1 |
| CONTACT | HOUSING | PART NO |

| DIMENSIONS: | | TOLERANCES UNLESS OTHERWISE SPECIFIED: | | APPROVED: | | NAME: | |
|-------------|-----------|--|---------------|-------------------|-----------|-------------------------------------|--|
| mm | [INCHES] | 0. PLC | ± | DIN K. WHITAKER | 11OCT2005 | STE TE Connectivity | |
| | | 1. PLC | ± | CHK S. RIDGILL | 11OCT2005 | 9 CIRCUIT UNIVERSAL MATE-N-LOK (TM) | |
| | | 2. PLC | ± | APPROV S. RIDGILL | 11OCT2005 | P.C. BOARD SOCKET HEADER ASSEMBLY | |
| | | 3. PLC | ± 0.13 [.005] | PRODUCT SPEC | | APPLICATION SPEC | |
| | | 4. PLC | ± | SIZE | | RESTRICTED TO | |
| | | ANGLES | ± | WEIGHT | | SCALE 5:1 SHEET 1 OF 1 REV L2 | |
| MATERIAL | SEE TABLE | FINISH | SEE TABLE | CUSTOMER DRAWING | | A1 00779 C=350835 | |

X-ON Electronics

Largest Supplier of Electrical and Electronic Components

Click to view similar products for [Pin & Socket Connectors](#) category:

Click to view products by [TE Connectivity](#) manufacturer:

Other Similar products are found below :

[6450822-1](#) [770392-1](#) [794042-1](#) [796885-1](#) [8-794535-1](#) [881459-2](#) [R929993003](#) [1-350779-3](#) [1403611-1](#) [1-480349-5](#) [1586092-1](#) [1586129-1](#)
[1586487-1](#) [1586681-4](#) [1586700-1](#) [1586065-1](#) [1586077-1](#) [1586368-1](#) [1586380-1](#) [1586680-5](#) [1586681-2](#) [1604996-1](#) [16-06-0038](#) [164164-5](#) [1-](#)
[6609930-1](#) [172296-1](#) [1-794714-6](#) [19-09-2035](#) [1969804-1](#) [200503-1](#) [200788-2](#) [201046-7](#) [202648-4](#) [2029076-2](#) [2029090-4](#) [2029095-4](#) [2-](#)
[66102-6](#) [925061-7](#) [926681-1](#) [293734-4](#) [293737-2](#) [1-765362-4](#) [1-794606-3](#) [1871534-1](#) [1969795-1](#) [1969798-1](#) [1969800-1](#) [200833-4](#)
[2008625-2](#) [2029027-2](#)