

P	LTR	DESCRIPTION	DATE	DWN	APVD
R5		REDRAWN PER ECO-19-005708	06MAY2019	BKW	SF

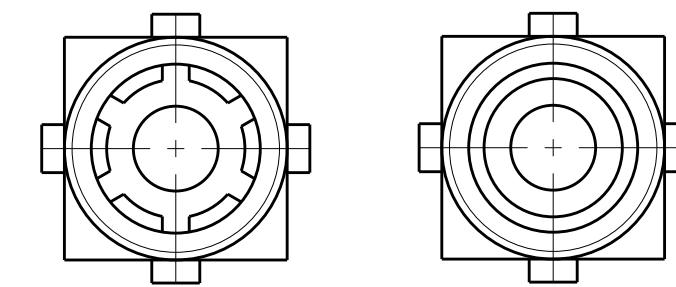
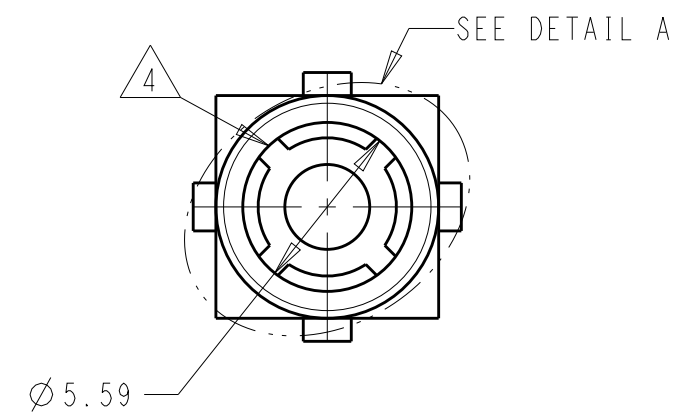
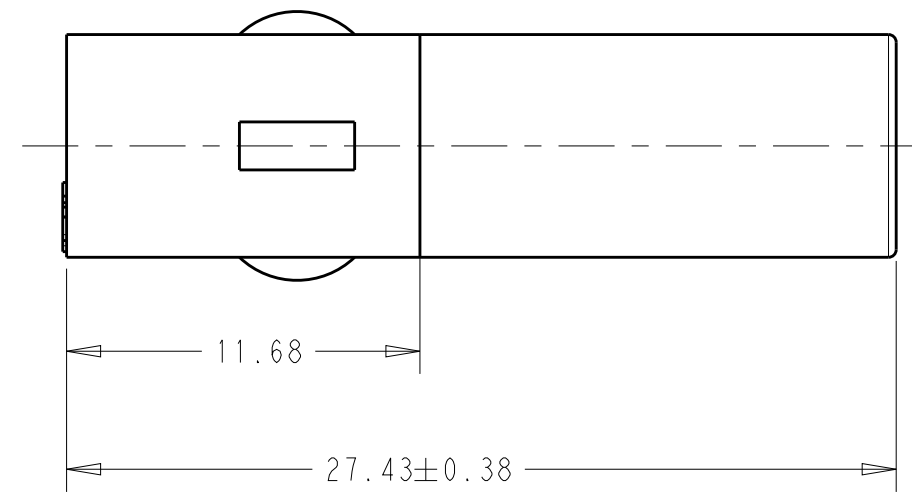
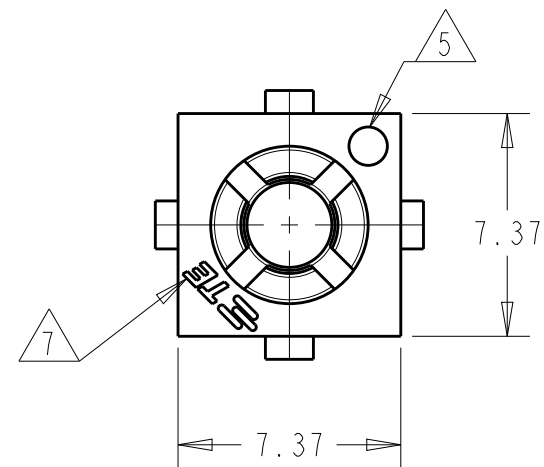
- MATES WITH APPROPRIATE UNIVERSAL MATE-N-LOCK™ CAP
- SMALL NICKS ARE PERMITTED ON THE CIRCUIT TOWER WHICH COULD INCREASE THE INITIAL HOUSING MATING FORCE BY UP TO 2.2 NEWTONS (.5 LBS.)
- DIMENSIONS SHOWN REPRESENT PRODUCT IN DRY, AS MOLDED, CONDITION. ADDITIONAL 2% GROWTH DUE TO SUBSEQUENT MOISTURE ABSORPTION MAY OCCUR AND SHOULD BE ACCOUNTED FOR.

△4 FOUR RIBS EQUALLY SPACED, NO SPECIFIC ORIENTATION. NO RIBS OR SIX RIBS EQUALLY SPACED, NO SPECIFIC ORIENTATION, OPTIONAL.

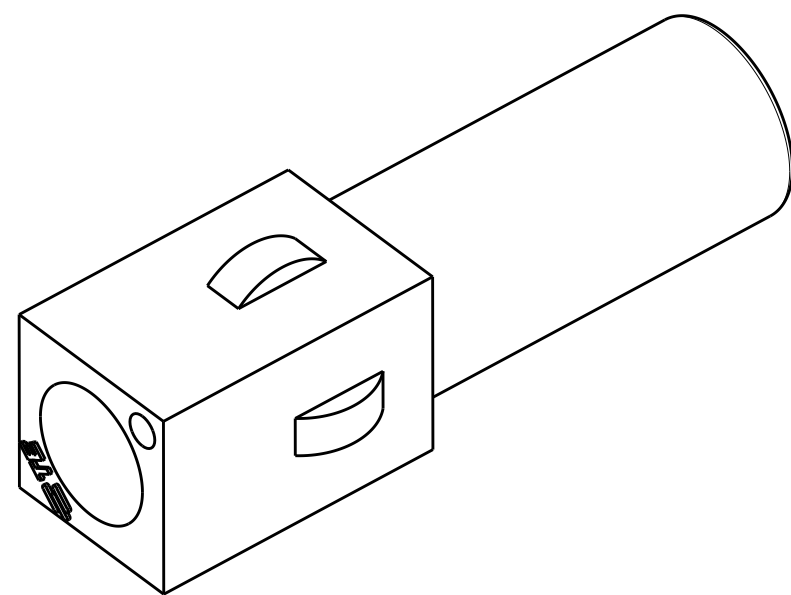
△5 CSA LOGO LOCATED APPROXIMATELY AS SHOWN.

△6 MATERIAL: PA66, UL94 V-0, GWIT 775°C

△7 TRADEMARK LOCATION: AMP OR TE



DETAIL A  
OPTIONAL CONSTRUCTIONS



△6	NATURAL	1-350865-1
	NATURAL	350865-1
	COLOR	PART NUMBER

THIS DRAWING IS A CONTROLLED DOCUMENT.		DWN B. WEAVER 06MAY2019	TE Connectivity																						
		CHK S. FERNANDES 06MAY2019																							
		APVD T. BENCHOFF 06MAY2019	NAME PLUG, SINGLE CIRCUIT, UNIVERSAL MATE-N-LOCK																						
DIMENSIONS: mm		PRODUCT SPEC -	SIZE A2	CAGE CODE 00779																					
TOLERANCES UNLESS OTHERWISE SPECIFIED:		APPLICATION SPEC -	DRAWING NO C-350865	RESTRICTED TO -																					
<table border="0"> <tr> <td>0 PLC</td> <td>±</td> <td></td> </tr> <tr> <td>1 PLC</td> <td>±</td> <td></td> </tr> <tr> <td>2 PLC</td> <td>±0.13</td> <td></td> </tr> <tr> <td>3 PLC</td> <td>±</td> <td></td> </tr> <tr> <td>4 PLC</td> <td>±</td> <td></td> </tr> <tr> <td>ANGLES</td> <td>±</td> <td>±0° 30'</td> </tr> <tr> <td>FINISH</td> <td>-</td> <td></td> </tr> </table>		0 PLC	±		1 PLC	±		2 PLC	±0.13		3 PLC	±		4 PLC	±		ANGLES	±	±0° 30'	FINISH	-		WEIGHT -	SCALE 4:1	SHEET 1 OF 1
0 PLC	±																								
1 PLC	±																								
2 PLC	±0.13																								
3 PLC	±																								
4 PLC	±																								
ANGLES	±	±0° 30'																							
FINISH	-																								
MATERIAL NYLON UL 94V-0		CUSTOMER DRAWING	REV R6																						

## X-ON Electronics

Largest Supplier of Electrical and Electronic Components

*Click to view similar products for [Pin & Socket Connectors](#) category:*

*Click to view products by [TE Connectivity](#) manufacturer:*

Other Similar products are found below :

[6450822-1](#) [770392-1](#) [794042-1](#) [796885-1](#) [8-794535-1](#) [PLR3455ACS-222](#) [R929991004](#) [R929993003](#) [1403611-1](#) [1-480349-5](#) [152302-5](#)  
[153211-2](#) [1586092-1](#) [1586129-1](#) [1586681-4](#) [1586700-1](#) [1586368-1](#) [1586380-1](#) [1586616-1](#) [1586680-5](#) [16-06-0038](#) [164164-5](#) [1-6609930-1](#)  
[172296-1](#) [19-09-2035](#) [200503-1](#) [200788-2](#) [2029090-4](#) [2029095-4](#) [925061-7](#) [293734-4](#) [293737-2](#) [1-765362-4](#) [1871534-1](#) [200833-4](#)  
[2008625-2](#) [2029027-2](#) [2029096-4](#) [R929991000](#) [R929991002](#) [R929993000](#) [319-10-101-00-005000](#) [319-10-102-00-001000](#) [319-10-104-00-001000](#) [319-10-105-00-001000](#) [319-10-108-00-001000](#) [319-10-112-00-006000](#) [39-01-8019](#) [319-10-101-00-001000](#) [319-10-102-00-005000](#)