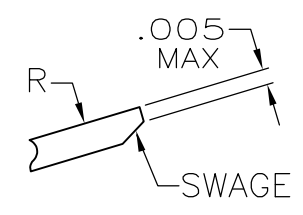
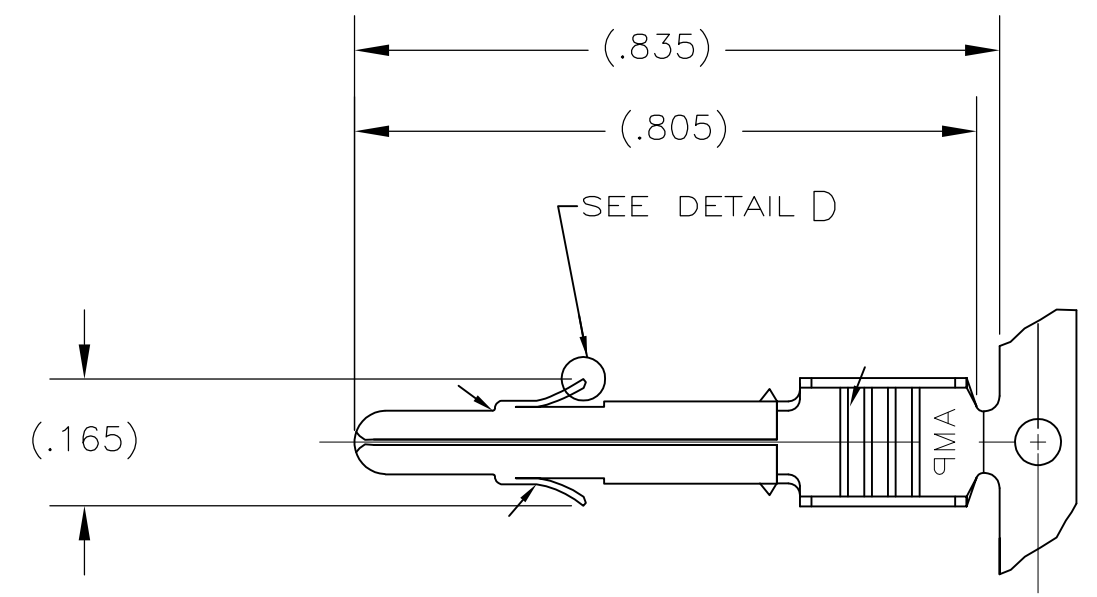


THIS DRAWING IS UNPUBLISHED. RELEASED FOR PUBLICATION  
 © COPYRIGHT - By - ALL RIGHTS RESERVED.

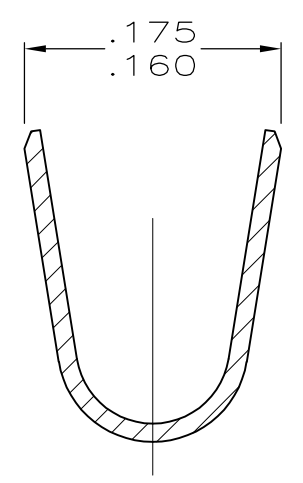
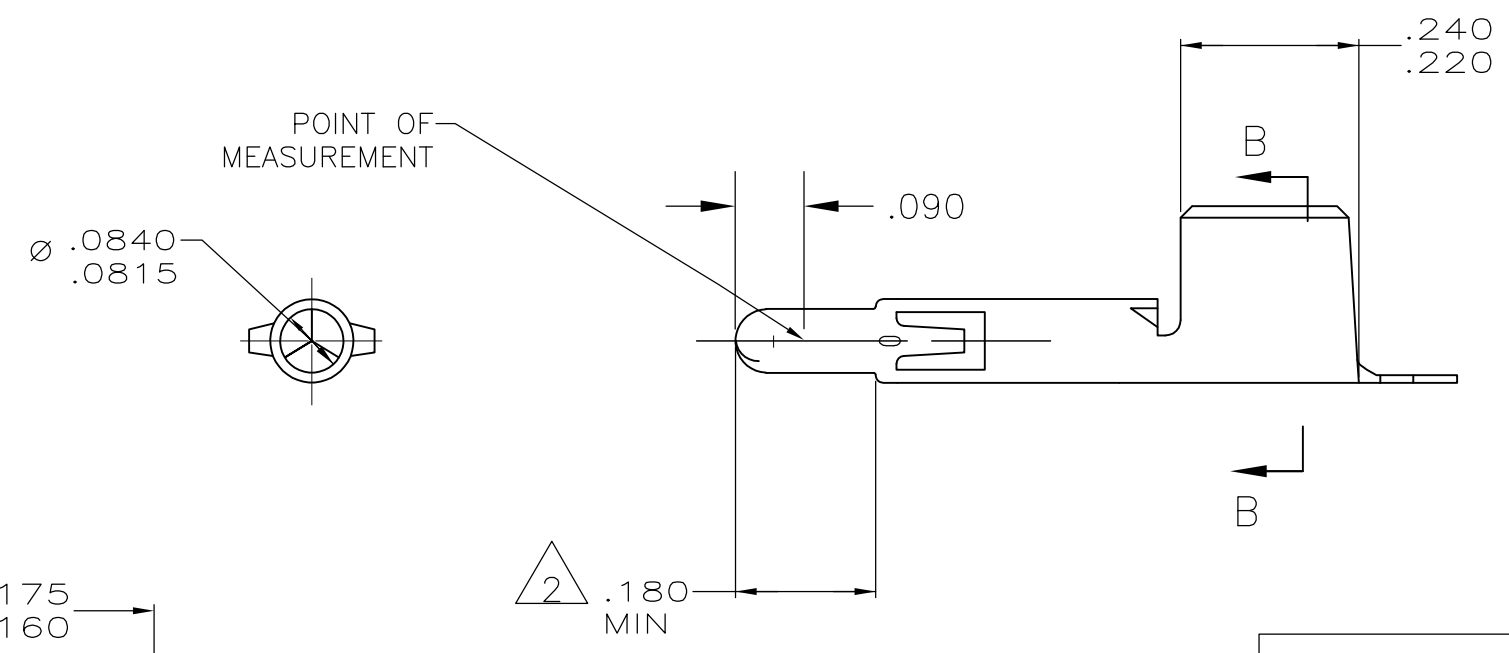
LOC	DIST	REVISIONS			
P	LTR	DESCRIPTION	DATE	DWN	APVD
CM	00				
	Y2	REVISED PER ECO-11-020508	11OCT11	JR	TM
	Y3	REVISED PER ECR-14-004102	28MAR14	AV	KD



DETAIL C  
SCALE 20:1



- WIRE RANGE : 12-10 AWG  
INSULATION RANGE: .200 DIA MAX  
(LIMITED BY THE CONNECTOR HOUSING CAVITY).
- PLATED WITH .000030 GOLD, OVER  
.000050 NICKEL UNDERPLATE.
- NOTE DELETED.



SECTION B-B  
SCALE 10:1

640309-6	GOLD $\triangle 2$	.012 PHOS. BRZ.	350922-6
640309-3	PRE-TIN	.12 PHOS. BRZ.	350922-3
LOOSE PIECE (REF)	FINISH	MATERIAL	PART NUMBER

THIS DRAWING IS A CONTROLLED DOCUMENT.		DWN K. WHITAKER 16NOV2006	<b>STE</b> TE Connectivity	
DIMENSIONS: INCHES		CHK S. RIDGILL 16NOV2006		
TOLERANCES UNLESS OTHERWISE SPECIFIED:		APVD S. RIDGILL 16NOV2006	NAME PIN, UNIVERSAL MATE-N-LOK(TM)	
0 PLC ± -		PRODUCT SPEC	-	
1 PLC ± -		APPLICATION SPEC	-	
2 PLC ± -		WEIGHT	-	
3 PLC ± .015		SIZE	CAGE CODE	DRAWING NO
4 PLC ± -		A3 00779		C-350922
ANGLES ± -		CUSTOMER DRAWING		RESTRICTED TO
FINISH		SCALE 4:1		SHEET 1 OF 1
				REV Y3

## X-ON Electronics

Largest Supplier of Electrical and Electronic Components

*Click to view similar products for [Pin & Socket Connectors](#) category:*

*Click to view products by [TE Connectivity](#) manufacturer:*

Other Similar products are found below :

[6450822-1](#) [770392-1](#) [794042-1](#) [796885-1](#) [8-794535-1](#) [PLR3455ACS-222](#) [R929991004](#) [R929993003](#) [1403611-1](#) [1-480349-5](#) [152302-5](#)  
[153211-2](#) [1586092-1](#) [1586129-1](#) [1586681-4](#) [1586700-1](#) [1586368-1](#) [1586380-1](#) [1586616-1](#) [1586680-5](#) [16-06-0038](#) [164164-5](#) [1-6609930-1](#)  
[172296-1](#) [19-09-2035](#) [200503-1](#) [200788-2](#) [2029090-4](#) [2029095-4](#) [925061-7](#) [293734-4](#) [293737-2](#) [1-765362-4](#) [1871534-1](#) [200833-4](#)  
[2008625-2](#) [2029027-2](#) [2029096-4](#) [R929991000](#) [R929991002](#) [R929993000](#) [319-10-101-00-005000](#) [319-10-102-00-001000](#) [319-10-104-00-001000](#) [319-10-105-00-001000](#) [319-10-108-00-001000](#) [319-10-112-00-006000](#) [39-01-8019](#) [319-10-101-00-001000](#) [319-10-102-00-005000](#)