

THIS DRAWING IS UNPUBLISHED.

RELEASED FOR PUBLICATION

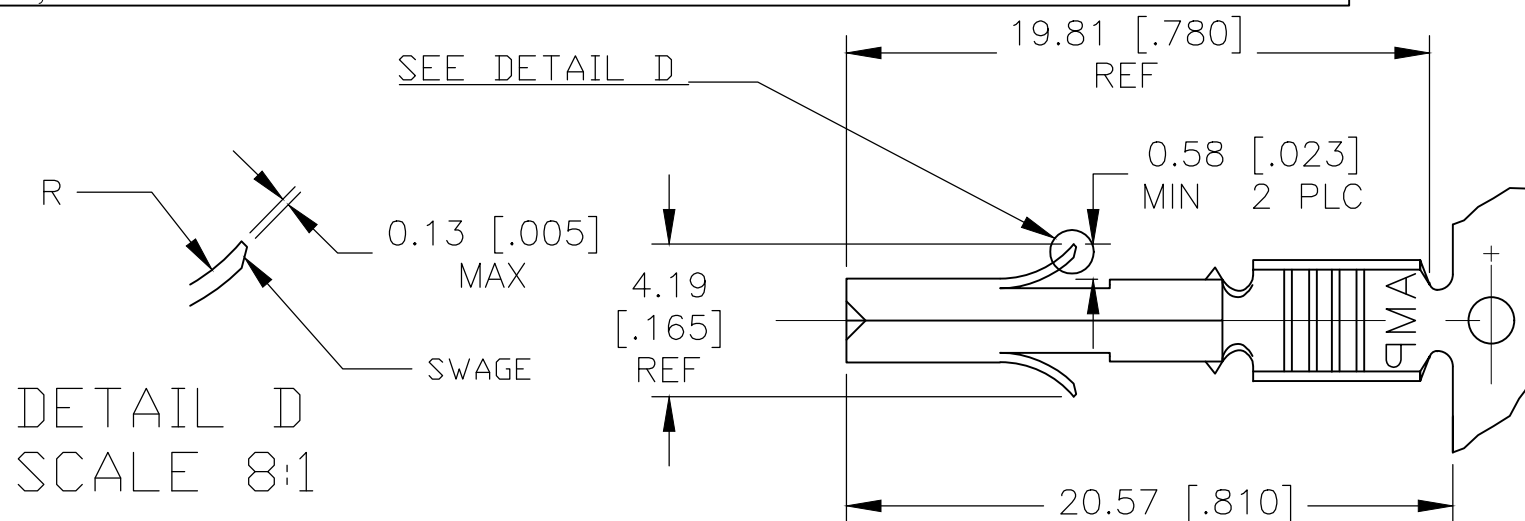
ALL RIGHTS RESERVED.

© COPYRIGHT - By -

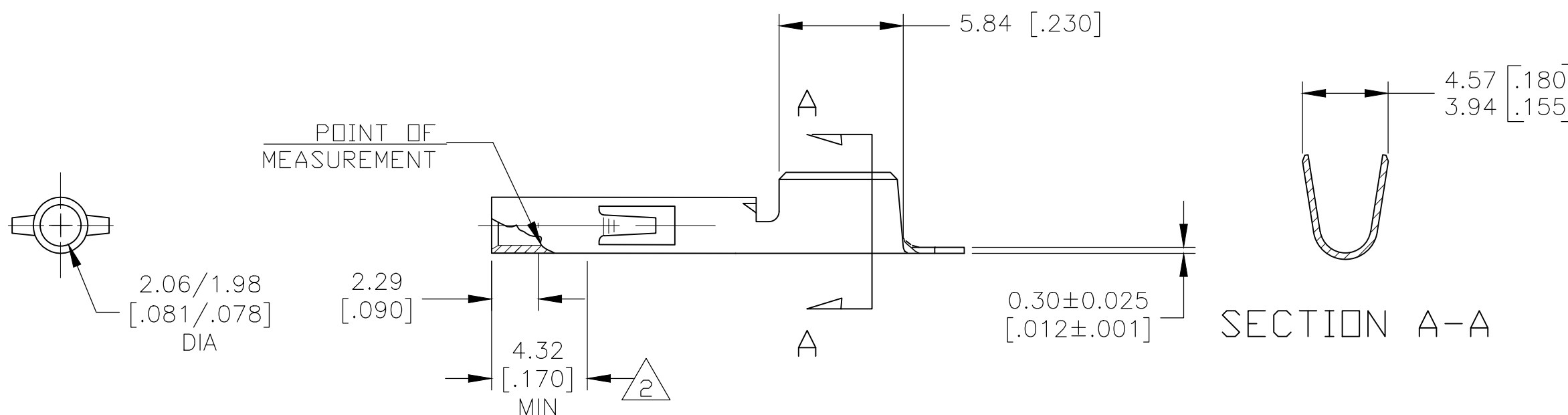
LOC AF DIST 58

REVISIONS

P	LTR	DESCRIPTION	DATE	DWN	APVD
	S4	REVISED PER ECR-19-001179	08FEB2019	BDA	FS



- WIRE RANGE : 12-10 AWG
INSULATION RANGE: 5.08 [.200] DIA MAX
(LIMITED BY THE CONNECTOR HOUSING CAVITY).
- 0.00076 [.000030] THK GOLD, OVER
0.00127 [.000050] NICKEL UNDERPLATE ON
INSIDE OF RECEPTACLE, REMAINDER
OF CONTACT IS NICKEL PLATED.
- GOLD OVER NICKEL UNDERPLATE ON ENTIRE
STAMPING, 0.00076 [.000030] MIN GOLD
AT POINT OF MEASUREMENT IN CONTACT
AREA, GOLD FLASH MIN IN WIRE BARREL.



640310-6	GOLD $\triangle 2$	PHOS BRZ	350923-6
---	GOLD $\triangle 3$	PHOS BRZ	350923-4
640310-3	PRE-TIN	PHOS BRZ	350923-3
LOOSE PIECE P/N REF	FINISH	MATERIAL	PART NUMBER

THIS DRAWING IS A CONTROLLED DOCUMENT.

DWN jr ruth 11OCT11

CHK TOM MICHIELUTTI 11OCT11

APVD TOM MICHIELUTTI 11OCT11

NAME

PRODUCT SPEC

APPLICATION SPEC

WEIGHT -

STE TE Connectivity

SOCKET
UNIVERSAL MATE-N-LOK

SIZE A3 CAGE CODE 00779 DRAWING NO C-350923 RESTRICTED TO -

CUSTOMER DRAWING SCALE 4:1 SHEET 1 OF 1 REV S4

DIMENSIONS: MM [INCHES]	TOLERANCES UNLESS OTHERWISE SPECIFIED:
	± -
	± -
	± 0.25 [.010]
	± -
	± -
	± -
MATERIAL	FINISH
-	-

X-ON Electronics

Largest Supplier of Electrical and Electronic Components

Click to view similar products for [Pin & Socket Connectors](#) category:

Click to view products by [TE Connectivity](#) manufacturer:

Other Similar products are found below :

[6450822-1](#) [770392-1](#) [794042-1](#) [796885-1](#) [8-794535-1](#) [PLR3455ACS-222](#) [R929991004](#) [R929993003](#) [1403611-1](#) [1-480349-5](#) [152302-5](#)
[153211-2](#) [1586092-1](#) [1586129-1](#) [1586681-4](#) [1586700-1](#) [1586368-1](#) [1586380-1](#) [1586616-1](#) [1586680-5](#) [16-06-0038](#) [164164-5](#) [1-6609930-1](#)
[172296-1](#) [19-09-2035](#) [200503-1](#) [200788-2](#) [2029090-4](#) [2029095-4](#) [925061-7](#) [293734-4](#) [293737-2](#) [1-765362-4](#) [1871534-1](#) [200833-4](#)
[2008625-2](#) [2029027-2](#) [2029096-4](#) [R929991000](#) [R929991002](#) [R929993000](#) [319-10-101-00-005000](#) [319-10-102-00-001000](#) [319-10-104-00-001000](#) [319-10-105-00-001000](#) [319-10-108-00-001000](#) [319-10-112-00-006000](#) [39-01-8019](#) [319-10-101-00-001000](#) [319-10-102-00-005000](#)