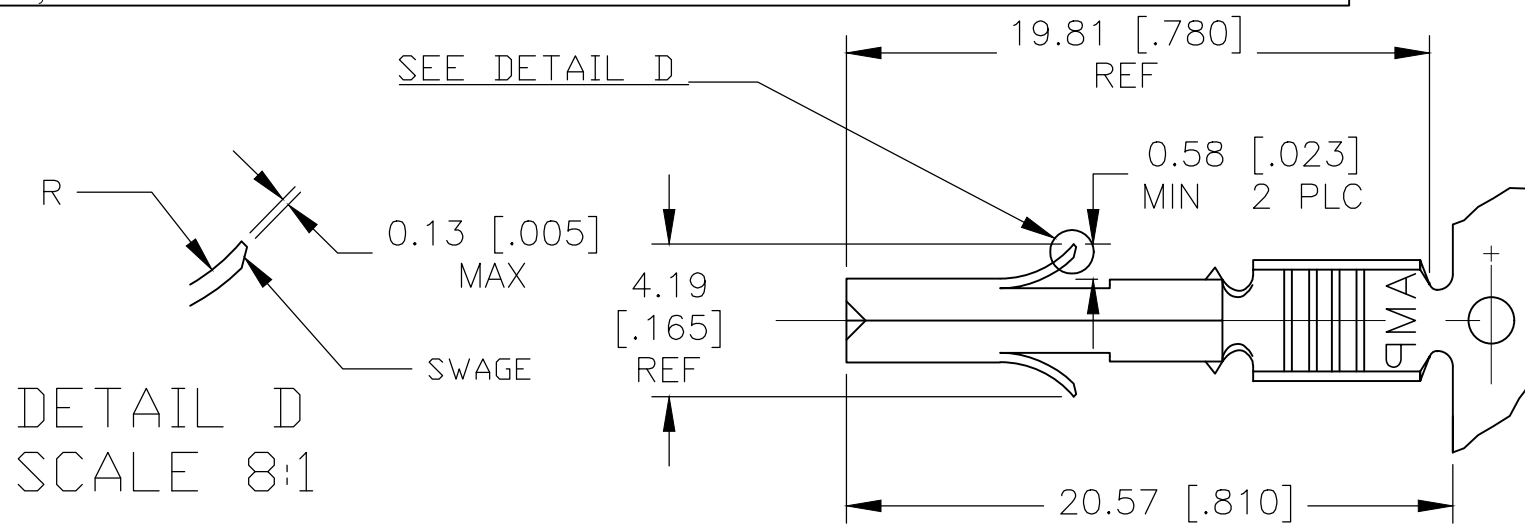


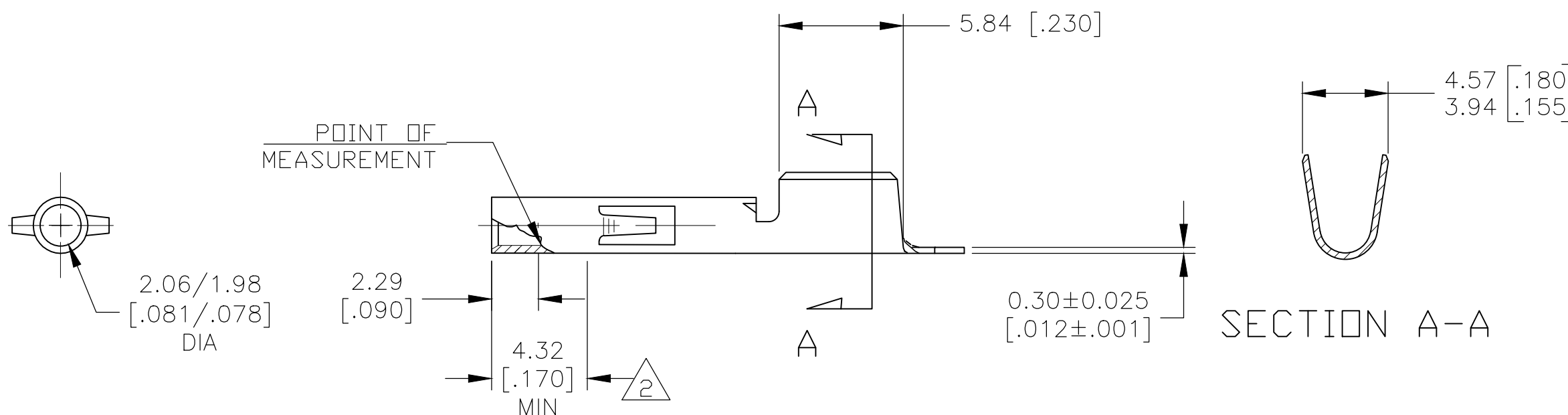
THIS DRAWING IS UNPUBLISHED. RELEASED FOR PUBLICATION ALL RIGHTS RESERVED.

LOC AF	DIST 58	REVISIONS		
P	LTR	DESCRIPTION	DATE	DWN
	S4	REVISED PER ECR-19-001179	08FEB2019	BDA
				APVD FS



DETAIL D  
SCALE 8:1

1. WIRE RANGE : 12-10 AWG  
INSULATION RANGE: 5.08 [.200] DIA MAX  
(LIMITED BY THE CONNECTOR HOUSING CAVITY).
2. 0.00076 [.000030] THK GOLD, OVER  
0.00127 [.000050] NICKEL UNDERPLATE ON  
INSIDE OF RECEPTACLE, REMAINDER  
OF CONTACT IS NICKEL PLATED.
3. GOLD OVER NICKEL UNDERPLATE ON ENTIRE  
STAMPING, 0.00076 [.000030] MIN GOLD  
AT POINT OF MEASUREMENT IN CONTACT  
AREA, GOLD FLASH MIN IN WIRE BARREL.



640310-6	GOLD 2	PHOS BRZ	350923-6
---	GOLD 3	PHOS BRZ	350923-4
640310-3	PRE-TIN	PHOS BRZ	350923-3
LOOSE PIECE P/N REF	FINISH	MATERIAL	PART NUMBER

THIS DRAWING IS A CONTROLLED DOCUMENT.		DWN jr ruth 11OCT11	<b>STE</b> TE Connectivity													
DIMENSIONS: MM [ INCHES ]		CHK TOM MICHIELUTTI 11OCT11														
TOLERANCES UNLESS OTHERWISE SPECIFIED:		APVD TOM MICHIELUTTI 11OCT11	NAME SOCKET UNIVERSAL MATE-N-LOK													
<table border="0"> <tr><td>0 PLC</td><td>± -</td></tr> <tr><td>1 PLC</td><td>± -</td></tr> <tr><td>2 PLC</td><td>± 0.25 [.010]</td></tr> <tr><td>3 PLC</td><td>± -</td></tr> <tr><td>4 PLC</td><td>± -</td></tr> <tr><td>ANGLES</td><td>± -</td></tr> </table>		0 PLC	± -	1 PLC	± -	2 PLC	± 0.25 [.010]	3 PLC	± -	4 PLC	± -	ANGLES	± -	PRODUCT SPEC -	SIZE A3	
0 PLC	± -															
1 PLC	± -															
2 PLC	± 0.25 [.010]															
3 PLC	± -															
4 PLC	± -															
ANGLES	± -															
MATERIAL -		FINISH -	CAGE CODE 00779	DRAWING NO C-350923												
		WEIGHT -	RESTRICTED TO -													
CUSTOMER DRAWING			SCALE 4:1	SHEET 1 OF 1												
			REV S4													

## X-ON Electronics

Largest Supplier of Electrical and Electronic Components

*Click to view similar products for [Pin & Socket Connectors](#) category:*

*Click to view products by [TE Connectivity](#) manufacturer:*

Other Similar products are found below :

[6450822-1](#) [770392-1](#) [794042-1](#) [796885-1](#) [8-794535-1](#) [PLR3455ACS-222](#) [R929991004](#) [R929993003](#) [1403611-1](#) [1-480349-5](#) [152302-5](#)  
[153211-2](#) [1586092-1](#) [1586129-1](#) [1586681-4](#) [1586700-1](#) [1586368-1](#) [1586380-1](#) [1586616-1](#) [1586680-5](#) [16-06-0038](#) [164164-5](#) [1-6609930-1](#)  
[172296-1](#) [19-09-2035](#) [200503-1](#) [200788-2](#) [2029090-4](#) [2029095-4](#) [925061-7](#) [293734-4](#) [293737-2](#) [1-765362-4](#) [1871534-1](#) [200833-4](#)  
[2008625-2](#) [2029027-2](#) [2029096-4](#) [R929991000](#) [R929991002](#) [R929993000](#) [319-10-101-00-005000](#) [319-10-102-00-001000](#) [319-10-104-00-001000](#) [319-10-105-00-001000](#) [319-10-108-00-001000](#) [319-10-112-00-006000](#) [39-01-8019](#) [319-10-101-00-001000](#) [319-10-102-00-005000](#)