

THIS DRAWING IS UNPUBLISHED.

RELEASED FOR PUBLICATION

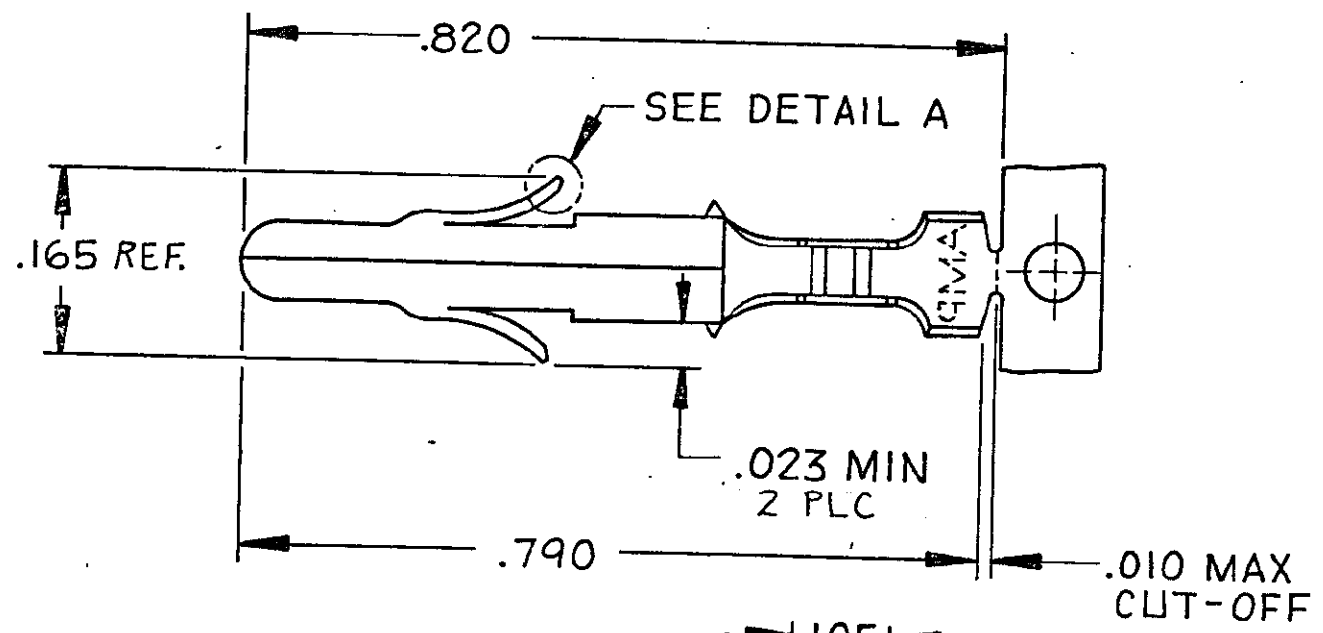
JUNE 15, 1984.

© COPYRIGHT 1976

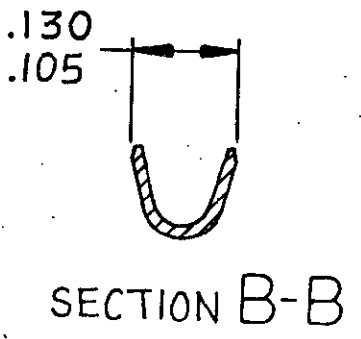
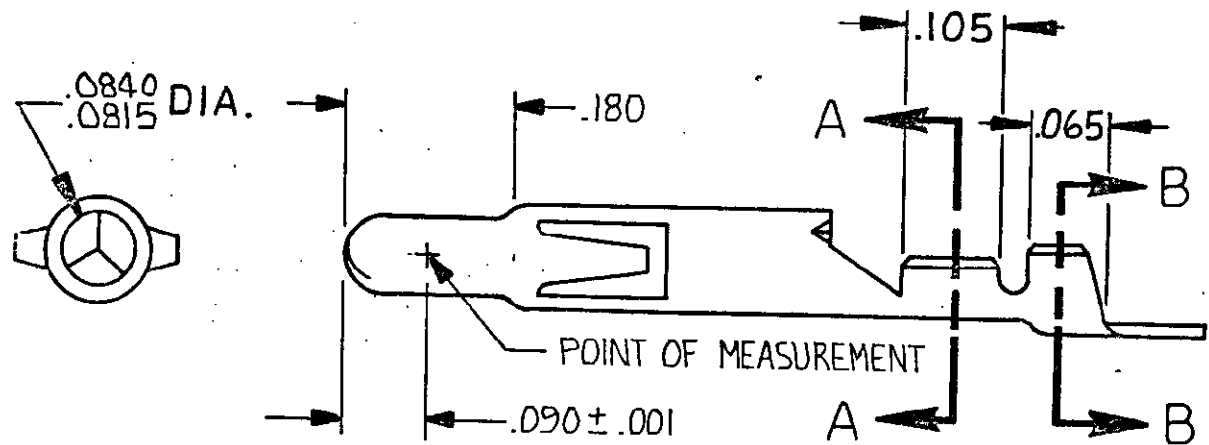
BY AMP INCORPORATED, HARRISBURG, PA. ALL INTERNATIONAL RIGHTS RESERVED. AMP PRODUCTS MAY BE COVERED BY U.S. AND FOREIGN PATENTS AND/OR PATENTS PENDING.

LOC CM DIST 53

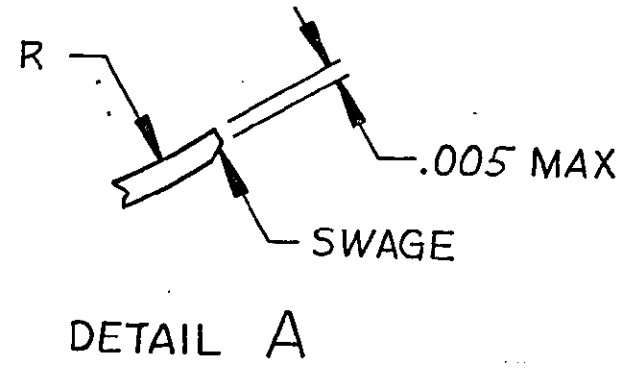
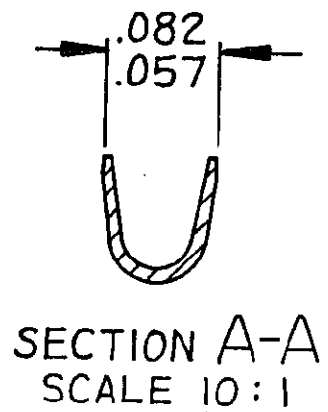
REVISIONS						
P	F	ZONE	LTR	DESCRIPTION	DATE	APPROVED
✓			M	REVISED PER EC 0730-0141-94	7-26-94	RV RS



1. WIRE RANGE : 30-26 AWG.
 2. INSULATION RANGE : .032 - .057 DIA.
- △ GOLD OVER NICKEL ON ENTIRE STAMPING; .000030 GOLD MINIMUM AT POINT OF MEASUREMENT IN CONTACT AREA, GOLD FLASH MINIMUM IN WIRE BARREL.



△	.012 THK. PH BRZ	350924-6
TIN	.012 THK BRASS	350924-1
FINISH	MATERIAL	PART NO.



UNLESS OTHERWISE SPECIFIED DIMENSIONS ARE IN INCHES. TOLERANCES ON: DECIMALS ± .015 ANGLES ±		CONTRACT NO		PART NO	
MATERIAL SEE TABLE		DR <i>H. Shelton</i> 6-15-84		AMP INCORPORATED Harrisburg, Pa.	
FINISH SEE TABLE		CHK <i>M. Jones</i> 7-10-84		NAME PIN, UNIVERSAL MATE-N-LOK	
		APPD <i>Paul O. Jones</i> 7-13-84		SIZE B	
		DSGN APPD		FSCM NO 00779	
		OTHER APPD		DRAWING NO 350924	
				SCALE NTS	
				SHEET	

X-ON Electronics

Largest Supplier of Electrical and Electronic Components

Click to view similar products for [Pin & Socket Connectors](#) category:

Click to view products by [TE Connectivity](#) manufacturer:

Other Similar products are found below :

[6450822-1](#) [770392-1](#) [794042-1](#) [796885-1](#) [8-794535-1](#) [PLR3455ACS-222](#) [R929991004](#) [R929993003](#) [1403611-1](#) [1-480349-5](#) [152302-5](#)
[153211-2](#) [1586092-1](#) [1586129-1](#) [1586681-4](#) [1586700-1](#) [1586368-1](#) [1586380-1](#) [1586616-1](#) [1586680-5](#) [16-06-0038](#) [164164-5](#) [1-6609930-1](#)
[172296-1](#) [19-09-2035](#) [200503-1](#) [200788-2](#) [2029090-4](#) [2029095-4](#) [925061-7](#) [293734-4](#) [293737-2](#) [1-765362-4](#) [1871534-1](#) [200833-4](#)
[2008625-2](#) [2029027-2](#) [2029096-4](#) [R929991000](#) [R929991002](#) [R929993000](#) [319-10-101-00-005000](#) [319-10-102-00-001000](#) [319-10-104-00-001000](#) [319-10-105-00-001000](#) [319-10-108-00-001000](#) [319-10-112-00-006000](#) [39-01-8019](#) [319-10-101-00-001000](#) [319-10-102-00-005000](#)