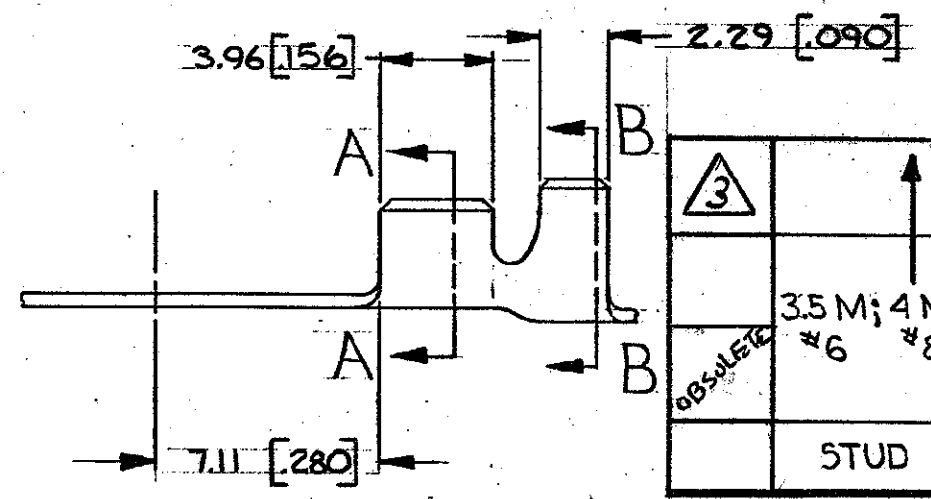
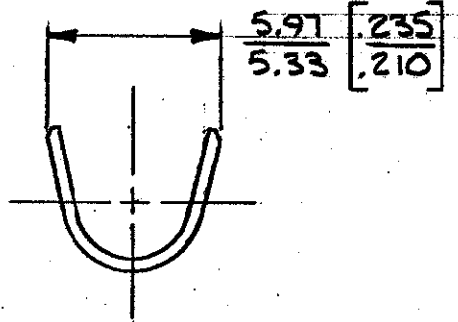
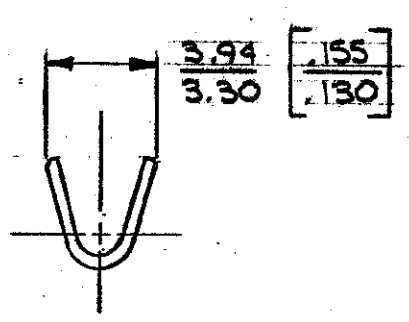
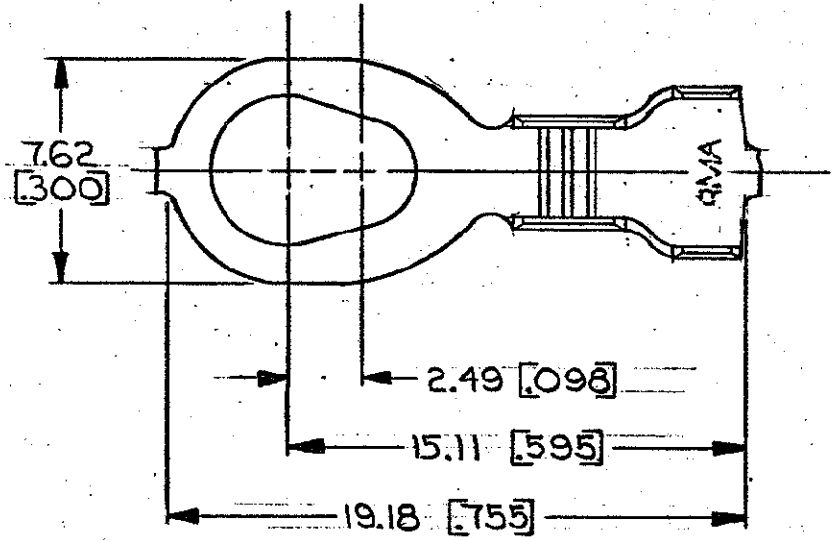


© COPYRIGHT 1976 BY AMP INCORPORATED, HARRISBURG, PA.  
ALL INTERNATIONAL RIGHTS RESERVED. AMP INCORPORATED PRODUCTS  
COVERED BY U. S. AND FOREIGN PATENTS AND/OR PATENTS PENDING.

		REVISIONS				
P	F	ZONE	LTR	DESCRIPTION	DATE	APPROVED
✓			C	REDRAWN & REVISED A-3943	5/18/78	<i>A.M.</i>
✓			D	OBS. -1 AF-4787	5-2-88	<i>MSF/DPD</i>
			E	ADDED-3 PER 063A-0372-01	6-2-91	<i>MSF/DPD</i>



<b>3</b>				PRE-TIN	0.41 [016] BRASS	<b>4</b>
	3.5 M; 4 M; —			PRE-TIN		350981-2
<b>ABSOLUTE</b>	#6 #8 #10	0.8 - 2.0mm <sup>2</sup> [18-14]	3.05 - 4.32 [120-.170]	NONE	0.41 [016] BRASS	<del>350981-1</del>
	STUD SIZE	WIRE RANGE	INSULATION RANGE	FINISH	MATERIAL	PART NO

UNLESS OTHERWISE SPECIFIED DIMENSIONS ARE IN mm TOLERANCES ON: DECIMALS ±0.38 [015] ANGLES ±1° 0'	CONTRACT NO	AMP INCORPORATED Harrisburg, Pa.	
	DR <i>A. Magano</i> 5/18/78		
MATERIAL SEE TABLE	CHK <i>W. J. Davis</i> 7-25-78	NAME <b>RING</b>	
	APPD <i>R. P. Frantz</i> 8-8-78	SIZE <b>B</b>	CODE IDENT NO <b>00779</b>
FINISH SEE TABLE	APPD <i>Es. 7</i> 8-10-78	DRAWING NO <b>350981</b>	SHEET
	DSGN APPD	SCALE	
	OTHER APPD		

**METRIC**

- 1. CONTINUOUS STRIP ON REELS.
- 2. DIMENSIONS IN BRACKETS ARE IN INCHES.
- 3** REDUCED PACKAGE QUANTITY.
- 4** PRELIMINARY - NOT FOR PRODUCTION.

## X-ON Electronics

Largest Supplier of Electrical and Electronic Components

*Click to view similar products for [Terminals](#) category:*

*Click to view products by [TE Connectivity](#) manufacturer:*

Other Similar products are found below :

[00-054007-01074-6](#) [00-054007-70206-1](#) [00-054007-70210-8](#) [00-054007-70217-7](#) [00-054007-70226-9](#) [00-054007-70228-3](#) [00-054007-70248-1](#) [00-054007-70256-6](#) [00-054007-70301-3](#) [00-054007-70316-7](#) [0-0320562-0](#) [00-054007-49560-4](#) [00-054007-70209-2](#) [00-054007-70225-2](#) [00-054007-70227-6](#) [00-054007-70231-3](#) [00-054007-70241-2](#) [00-054007-70242-9](#) [00-054007-70244-3](#) [00-054007-70246-7](#) [00-054007-70263-4](#) [00-054007-70288-7](#) [00-054007-70290-0](#) [00-054007-70300-6](#) [00-054007-70304-4](#) [01-2065-1-0216](#) [01-2900-1-04412](#) [00581P0075](#) [600TS-10](#) [60205-1](#) [604200-1](#) [605601-1](#) [60598-1-CUT-TAPE](#) [61314-6-C](#) [61810-3](#) [61-S](#) [61-SN](#) [626-0194](#) [62-NBM-A](#) [62-SN](#) [62-SP](#) [63-S](#) [640179-1](#) [M55155/059I03](#) [M55155/079C01](#) [M55155/099H02](#) [M55155/109H01](#) [M55155/109H02](#) [M55155/12XH05](#) [M55155/16XH02](#)