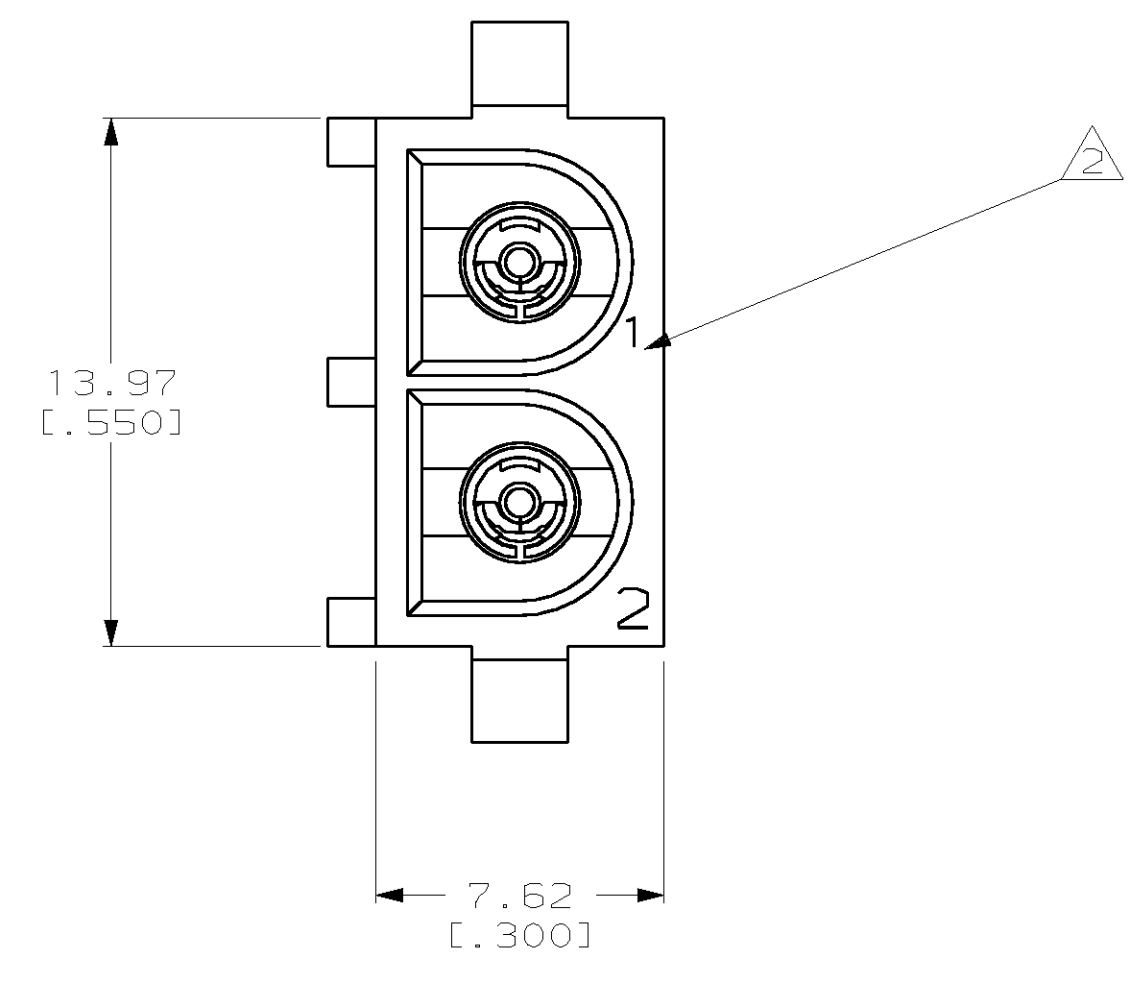
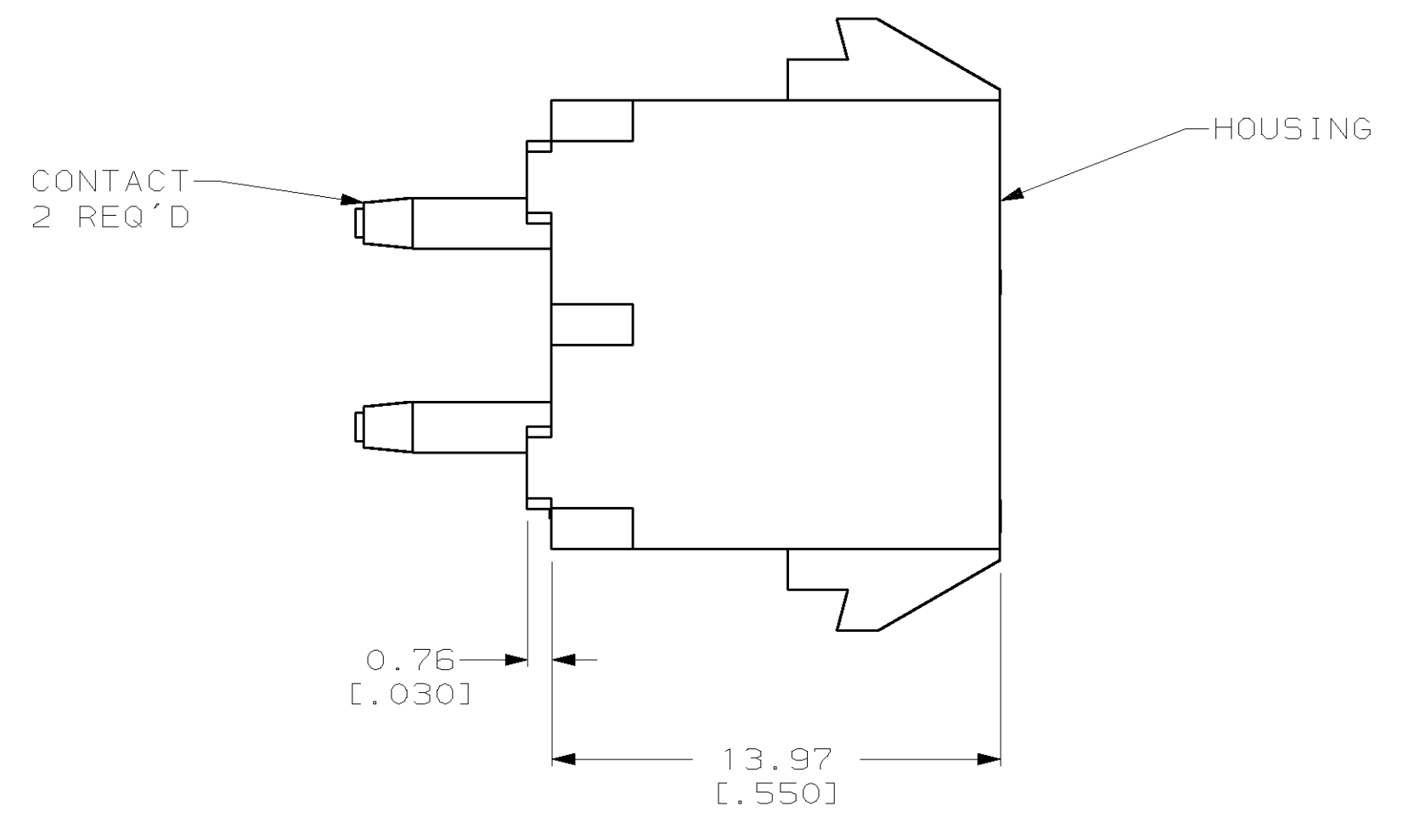
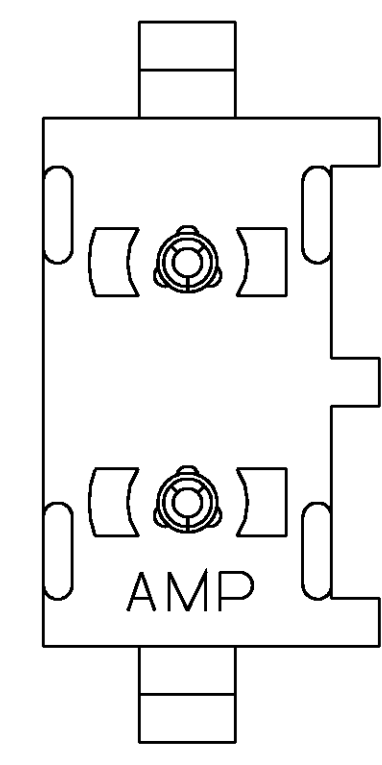
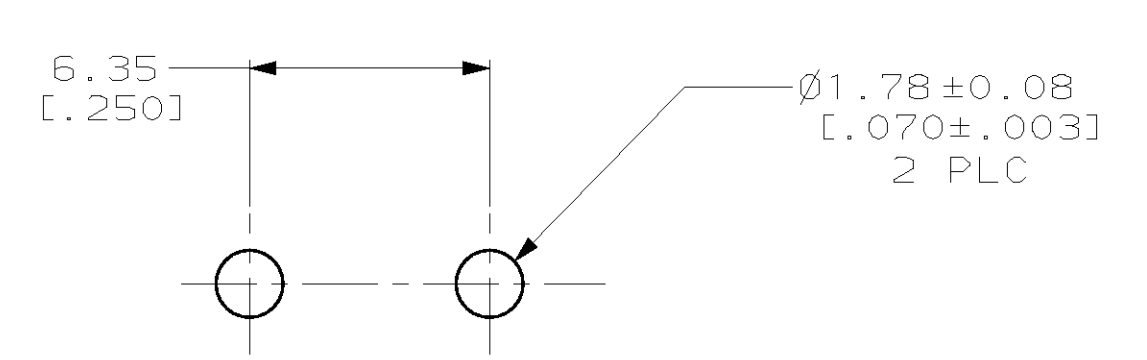
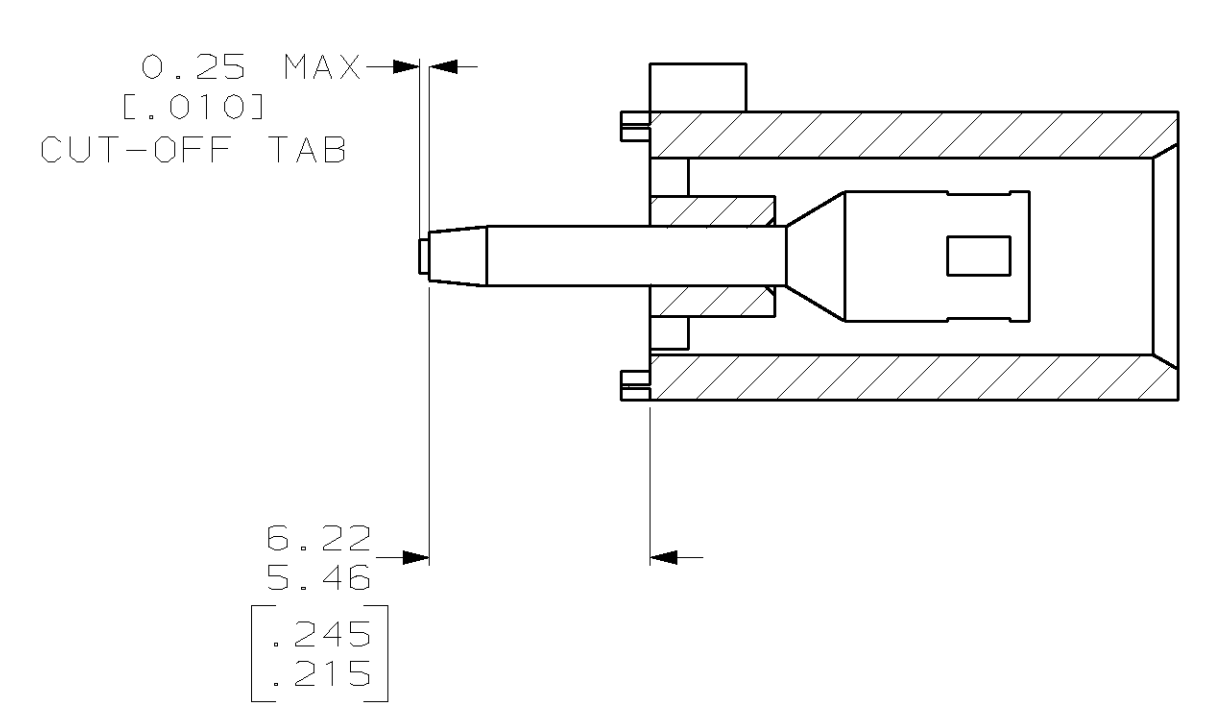
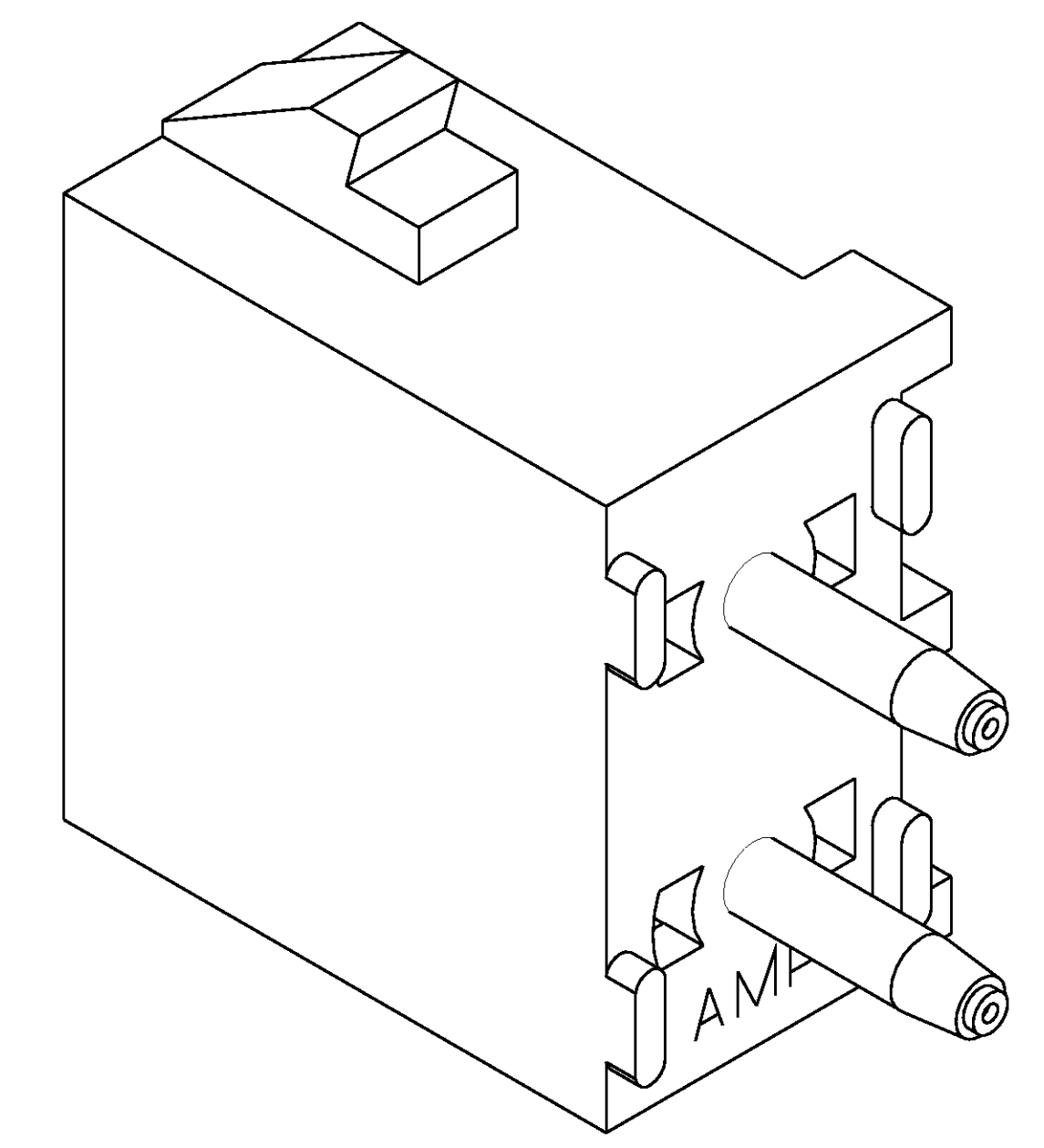


REV. NO.		REVISIONS			
LOC	DIST	REV	DATE	BY	APPV
CM	53	J	8-19-98	BL	RS
		REV & REDWN PER EC 0G1B-0252-98			



- PARTS COMPLY TO AMP SOLDERABILITY SPECIFICATION 109-11-3.
- CIRCUIT IDENTIFICATION CHARACTERS ARE ADJACENT TO THE INDICATED CAVITIES, BUT LOCATION AND ORIENTATION MAY DIFFER FROM PRINT.
- DIMENSIONS IN BRACKETS ARE IN INCHES.



RECOMMENDED MOUNTING HOLE PATTERN FOR 3.18 [.125] THICK P.C. BOARD

PHOSPHOR BRONZE, PRE-TIN PIN CONTACT MATERIAL AND FINISH	NYLON, UL94V-2, NATURAL HOUSING MATERIAL	350986-4 PART NO
THIS DRAWING IS A CONTROLLED DOCUMENT.		DWN D. LEWIS 8-19-98
DIMENSIONS: mm (INCHES)		CHK R. SWING 8-19-98
TOLERANCES UNLESS OTHERWISE SPECIFIED:		APVD M. TRULLI 8-19-98
0 PLC ±	1 PLC ±	PRODUCT SPEC
2 PLC ±0.13 (.005)	3 PLC ±	APPLICATION SPEC
4 PLC ±	ANGLES 40°-30'	WEIGHT
MATERIAL SEE TABLE	FINISH SEE TABLE	CUSTOMER DRAWING
METRIC		AMP Incorporated Harrisburg, PA 17105-3608
NAME SOCKET HEADER ASSEMBLY, 2 CIRCUIT UNIVERSAL MATE-N-LOK™		SIZE A1
DRAWING NO C-350986		CAGE CODE 00779
SCALE 5:1		SHEET 1 OF 1
		REV J

X-ON Electronics

Largest Supplier of Electrical and Electronic Components

Click to view similar products for [Pin & Socket Connectors](#) category:

Click to view products by [TE Connectivity](#) manufacturer:

Other Similar products are found below :

[6450822-1](#) [770392-1](#) [794042-1](#) [796885-1](#) [8-794535-1](#) [PLR3455ACS-222](#) [R929991004](#) [R929993003](#) [1403611-1](#) [1-480349-5](#) [152302-5](#)
[153211-2](#) [1586092-1](#) [1586129-1](#) [1586681-4](#) [1586700-1](#) [1586368-1](#) [1586380-1](#) [1586616-1](#) [1586680-5](#) [16-06-0038](#) [164164-5](#) [1-6609930-1](#)
[172296-1](#) [19-09-2035](#) [200503-1](#) [200788-2](#) [2029090-4](#) [2029095-4](#) [925061-7](#) [293734-4](#) [293737-2](#) [1-765362-4](#) [1871534-1](#) [200833-4](#)
[2008625-2](#) [2029027-2](#) [2029096-4](#) [R929991000](#) [R929991002](#) [R929993000](#) [319-10-101-00-005000](#) [319-10-102-00-001000](#) [319-10-104-00-001000](#) [319-10-105-00-001000](#) [319-10-108-00-001000](#) [319-10-112-00-006000](#) [39-01-8019](#) [319-10-101-00-001000](#) [319-10-102-00-005000](#)