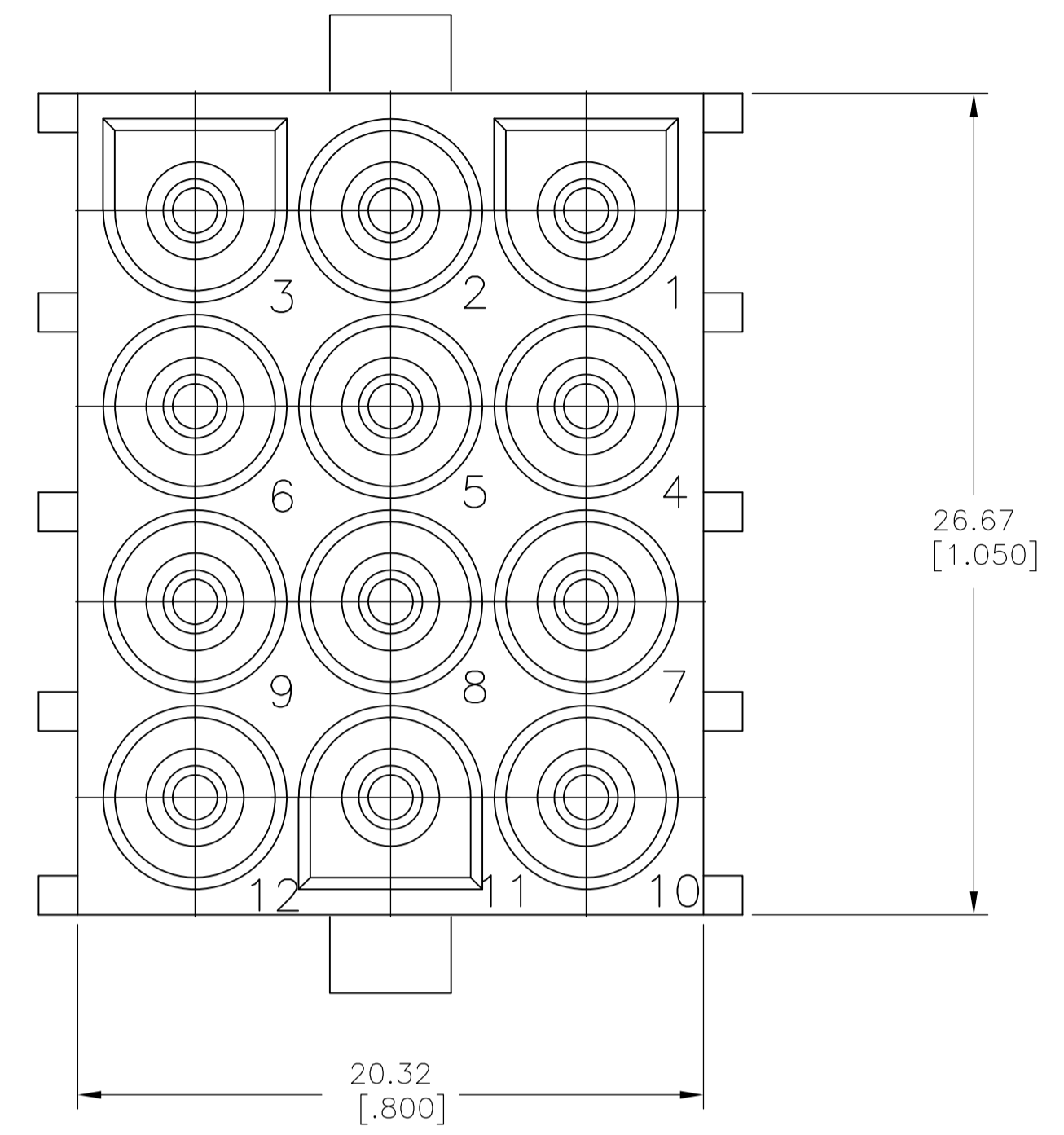
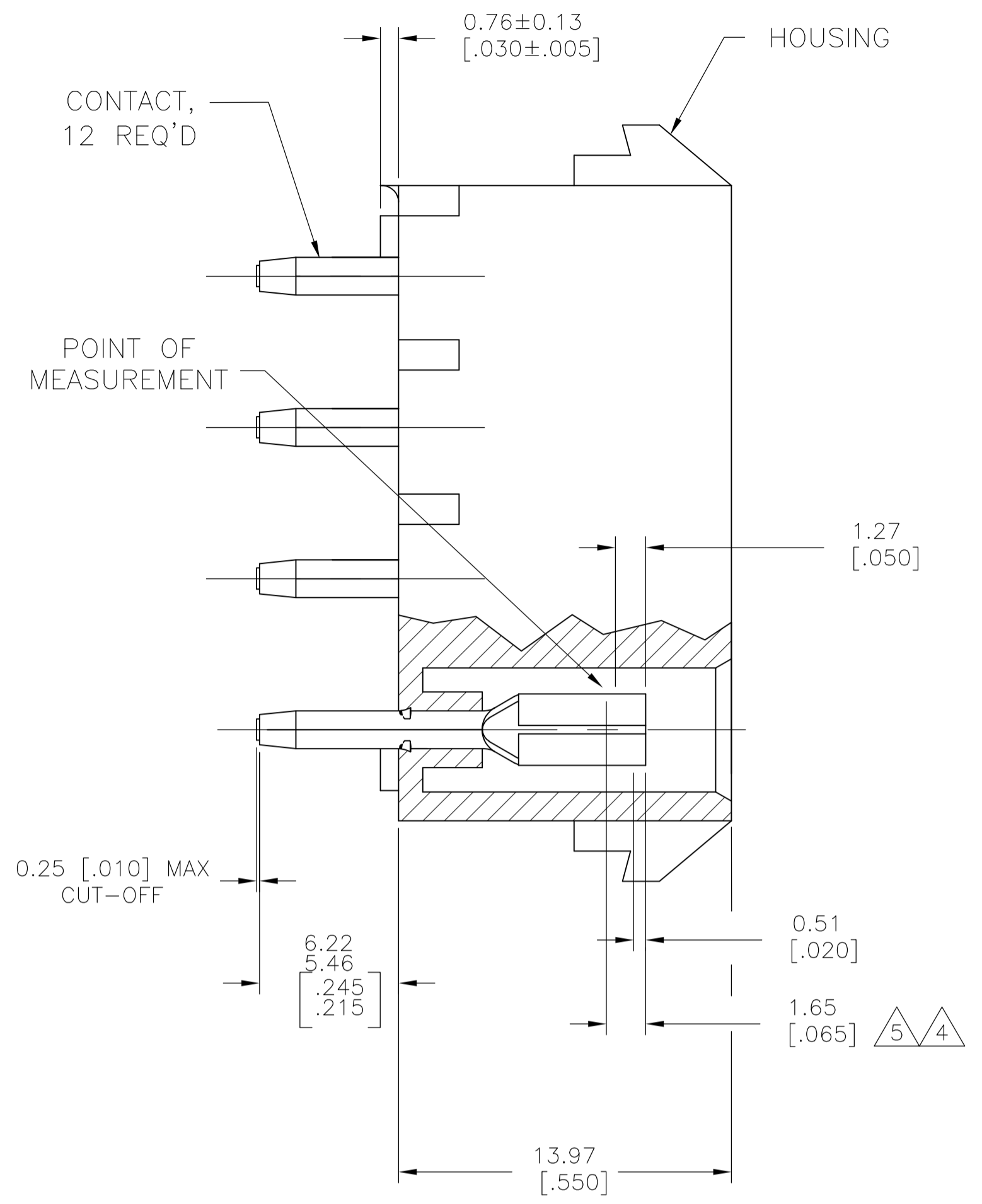
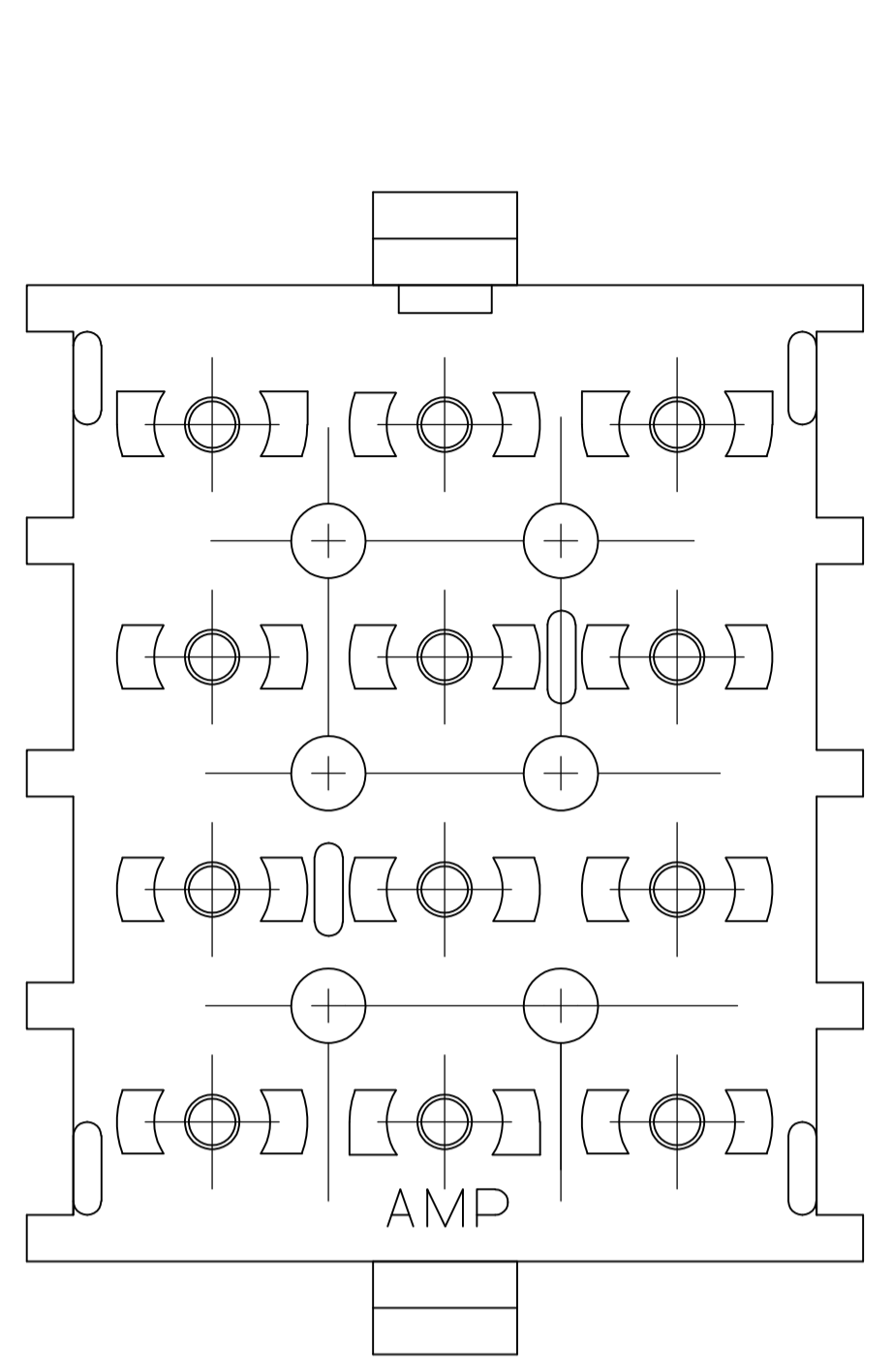
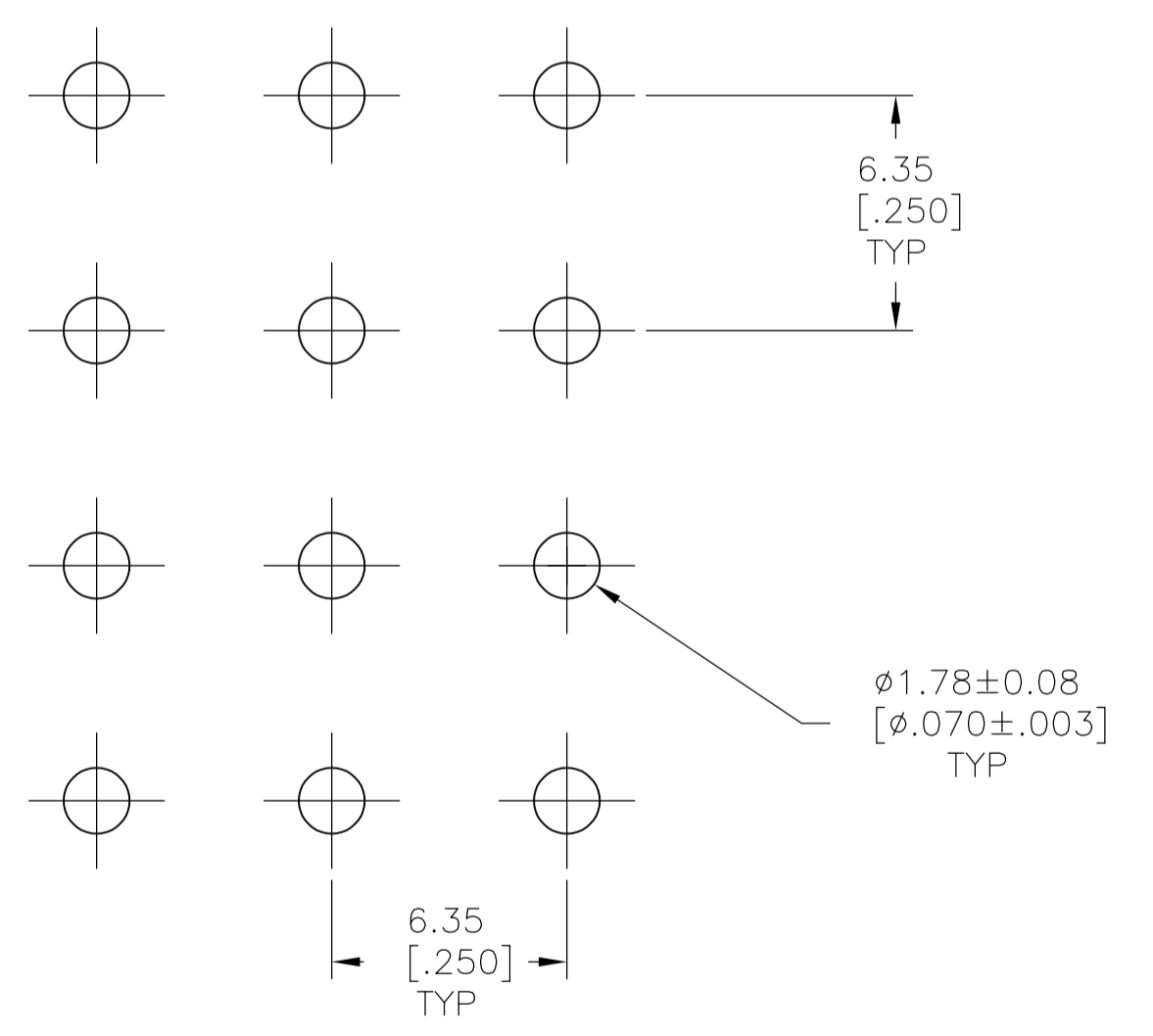


LOC		DIST		REVISIONS			
CM	00	REV	DATE	BY	CHK	APPV	
G1		REVISED PER ECO-08-019746	13AUG08	HMR		DC	
G2		REV PER ECO-09-021826	08SEP09	KK		AEG	



- 1 MATES WITH AMP CONNECTOR PART NO. 480708.
- 2 FLAME RETARDANT CLASSIFICATION OF MATERIAL IS 94V-2.
- 3 PARTS MUST COMPLY WITH AMP SOLDERABILITY SPEC 109-11-3.
- 4 CONTACT IS STAMPED FROM PRE-PLATED STOCK WHICH IS PLATED OVERALL WITH 0.00127 [.000050] NICKEL, THEN STRIPED WITH 0.00076 [.000030] GOLD IN CONTACT AREA INDICATED AND TIN-LEAD ON SOLDER TAIL END.
- 5 CONTACT IS PLATED OVERALL WITH 0.00127 [.000050] NICKEL, THEN 0.00076 [.000030] GOLD OVER CONTACT LENGTH INDICATED AND MATTE TIN ON SOLDER TAIL END.
- 6 OBSOLETE PARTS: OBSOLETE CIS STREAMLINING PER D.RENAUD/D.SINISI



RECOMMENDED LAYOUT FOR 3.18 [.125] THICK PC BOARD

6	PH BRZ GOLD 5	NYLON,NATURAL 2	350991-5
	PH BRZ TIN	NYLON,NATURAL 2	350991-4
	PH BRZ GOLD 4	NYLON,NATURAL 2	350991-3
	CONTACT	HOUSING	PART NO

THIS DRAWING IS A CONTROLLED DOCUMENT.		DWG: K. WHITAKER 11OCT2005	Tyco Electronics Corporation Harrisburg, PA 17105-3608	
DIMENSIONS: mm [INCHES]		CHK: S. RIDGILL 11OCT2005	APVD: S. RIDGILL 11OCT2005	
TOLERANCES UNLESS OTHERWISE SPECIFIED:		NAME: SOCKET HEADER ASSEMBLY, 12 CIRCUIT, LONG TAIL, UNIVERSAL MATE-N-LOK (TM)		
0. PLC ±	1. PLC ±	APPLICATION SPEC		
2. PLC ±	3. PLC ± 0.13 [.005]	SIZE: A1		
4. PLC ±	ANGLES ±	CAGE CODE: 00779		
FINISH: SEE TABLE		DRAWING NO: 350991		
MATERIAL: SEE TABLE		WEIGHT: A1		
		CUSTOMER DRAWING		
		SCALE: 5:1		
		SHEET: 1 OF 1		
		REV: G2		

METRIC

X-ON Electronics

Largest Supplier of Electrical and Electronic Components

Click to view similar products for [Pin & Socket Connectors](#) category:

Click to view products by [TE Connectivity](#) manufacturer:

Other Similar products are found below :

[6450822-1](#) [770392-1](#) [794042-1](#) [796885-1](#) [8-794535-1](#) [PLR3455ACS-222](#) [R929991004](#) [R929993003](#) [1403611-1](#) [1-480349-5](#) [152302-5](#)
[153211-2](#) [1586092-1](#) [1586129-1](#) [1586681-4](#) [1586700-1](#) [1586368-1](#) [1586380-1](#) [1586616-1](#) [1586680-5](#) [16-06-0038](#) [164164-5](#) [1-6609930-1](#)
[172296-1](#) [19-09-2035](#) [200503-1](#) [200788-2](#) [2029090-4](#) [2029095-4](#) [925061-7](#) [293734-4](#) [293737-2](#) [1-765362-4](#) [1871534-1](#) [200833-4](#)
[2008625-2](#) [2029027-2](#) [2029096-4](#) [R929991000](#) [R929991002](#) [R929993000](#) [319-10-101-00-005000](#) [319-10-102-00-001000](#) [319-10-104-00-001000](#) [319-10-105-00-001000](#) [319-10-108-00-001000](#) [319-10-112-00-006000](#) [39-01-8019](#) [319-10-101-00-001000](#) [319-10-102-00-005000](#)