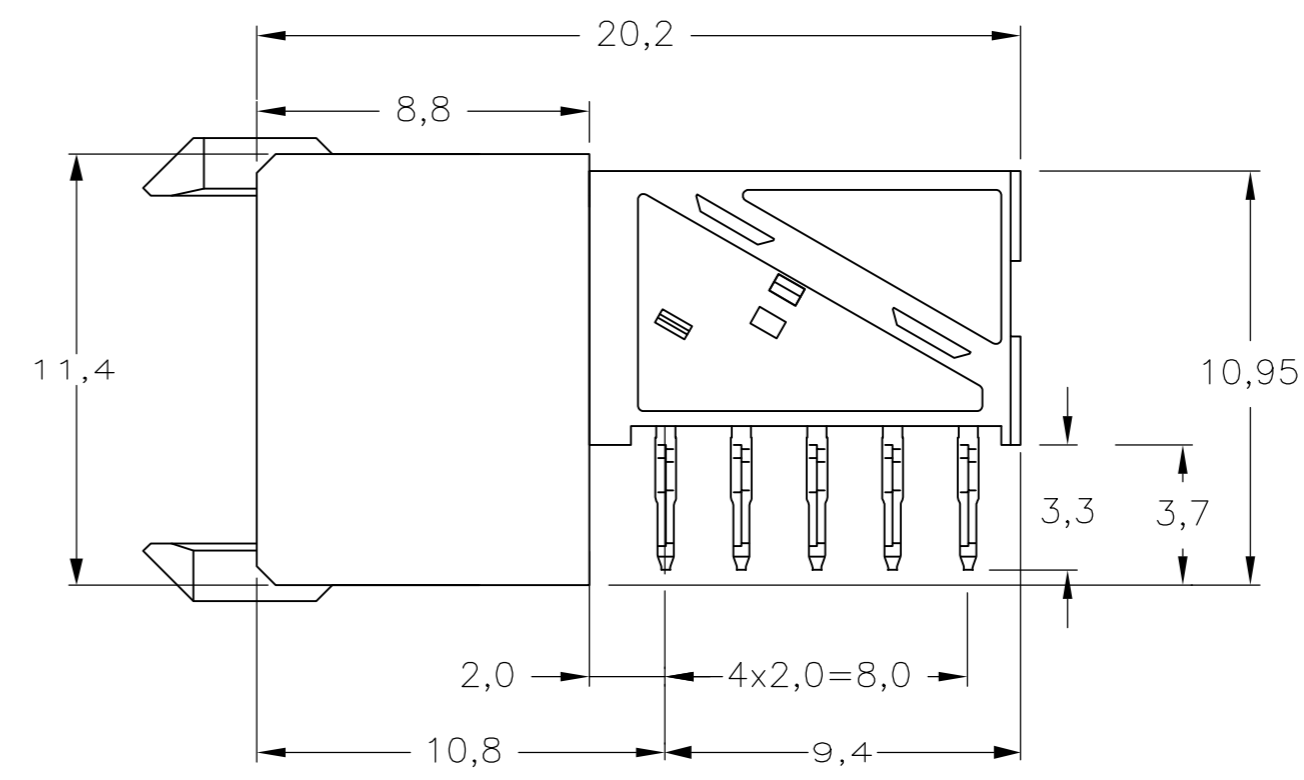
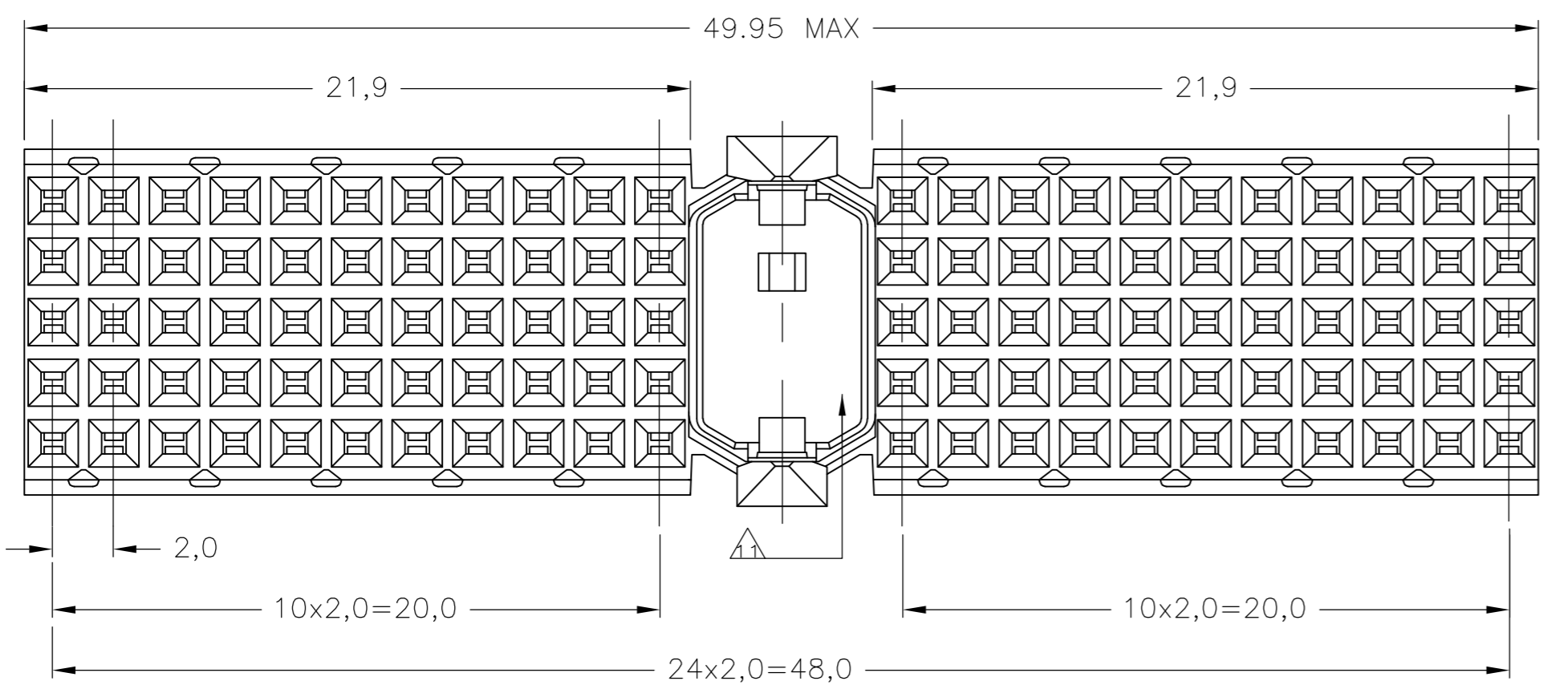
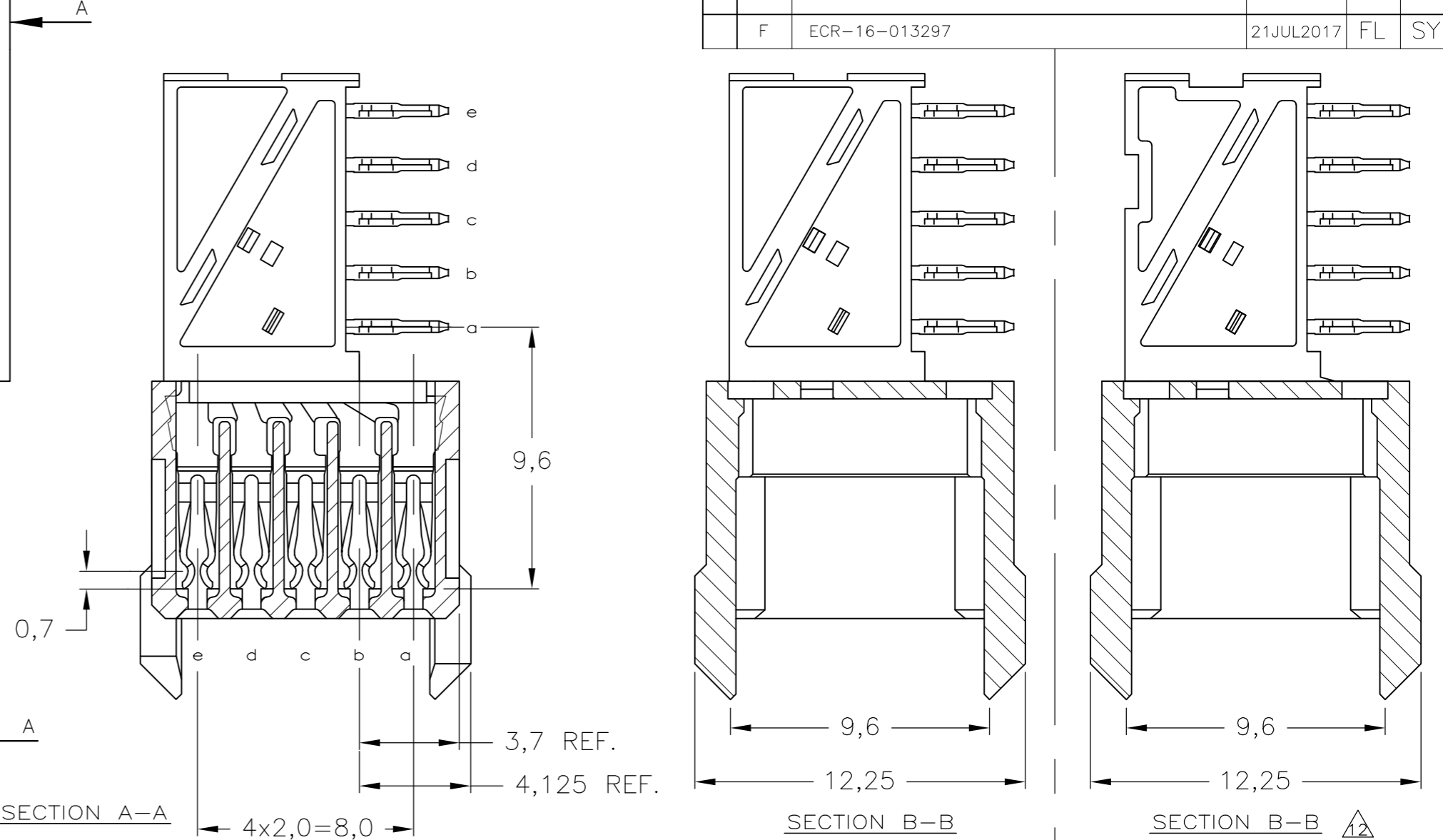
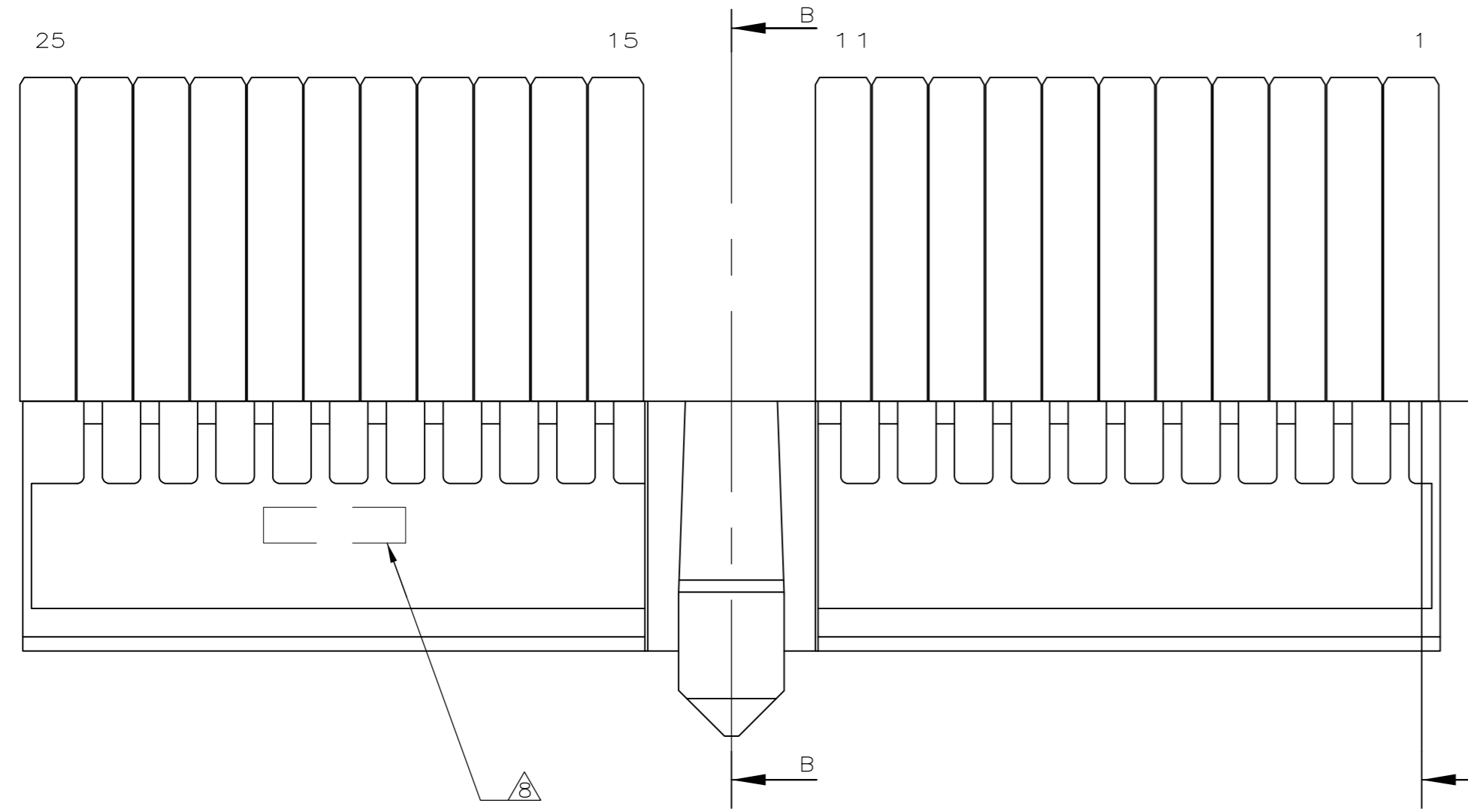
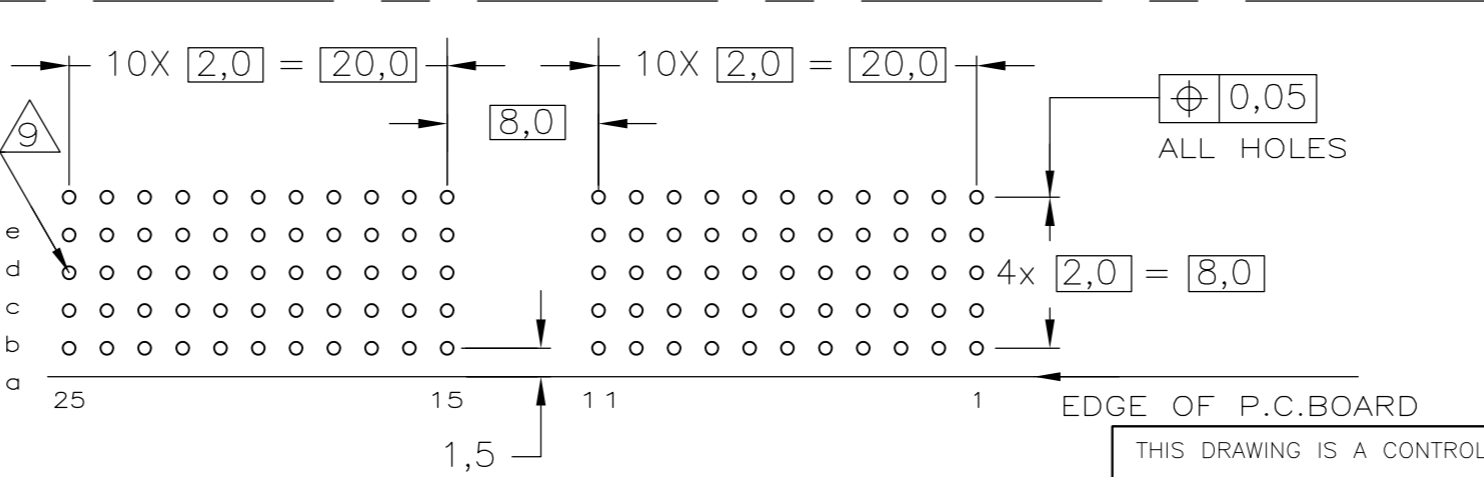


THIS DRAWING IS UNPUBLISHED. RELEASED FOR PUBLICATION
 © COPYRIGHT - By - ALL RIGHTS RESERVED.

REVISIONS				
P	LTR	DESCRIPTION	DATE	APVD
F	ECR-16-013297		21JUL2017	FL SY



- NOTES:**
- 1 MATERIAL CONTACT; PHOSPHORBRONZE
 - 2 MATERIAL HOUSING; GLASSFILLED POLYESTER (GRAY) UL-RATING 49V0
 - 3 GENERAL PLATING SPECIFICATION: UNDERPLATING (ENTIRE CONTACT): 1,27µm NICKEL MIN. AND ACTION PIN: 0,5µm TIN MIN. FOR PLATING OF MATING SURFACES SEE APPLICABLE SPECIFICATION REFERENCE FOR EACH DASH NUMBER.
 - 4 CONFORMS TO ALL TESTING ACCORDING IEC 61076-4-101 PERFORMANCE LEVEL 2.
 - 5 CONFORMS TO ALL TESTING ACCORDING IEC 61076-4-101 PERFORMANCE LEVEL 1.
 - 6 CONNECTOR TESTED AND QUALIFIED AGAINST TELCORDIA GR-1217-CORE QUALITY LEVEL III, CENTRAL OFFICE APPLICATIONS.
 - 7 CONNECTOR TESTED AND QUALIFIED AGAINST TELCORDIA GR-1217-CORE QUALITY LEVEL III, UNCONTROLLED ENVIRONMENT APPLICATIONS.
 - 8 CONNECTOR LUBRICATED WITH TELCORDIA GR-1217-CORE APPROVED LUBRICANT.
 - 9 CONNECTOR MARKED WITH PARTNUMBER AND DATECODE. THE MARKING CAN APPEAR ON THE FRONT SIDE OR ON THE BACK SIDE.
 - 10 PLATED-THROUGH HOLES AT 2x2mm SQUARE GRID. 110 HOLES.
 - 11 FITS WITH INTEGRATED GROUND RETURN UPERSHIELD, BASIC P.N. 5338107 AND INTEGRATED GROUND RETURN LOWERSHIELD, BASIC P.N. 5338108
 - 12 AREA RESERVED FOR CODING KEY, BASIC P.N. 100526
 - 13 CONNECTOR ASSEMBLED WITH ALTERNATE FEMALE CONTACTS.
 - 14 0,76µm MIN. GOLD PLATING AT MATING SURFACES.



SCALE 2,5:1
 COMPONENT SIDE AS SHOWN
 RECOMMENDED PCB-HOLE LAY-OUT

P.C.B. HOLE DIM. ACTION PIN
 FOR DETAILS SEE
 APPLICATION SPECIFICATION

FINISH	MATERIAL	PARTNUMBER
233		3-5100147-0
26		1-5100147-9
25		5100147-9
24		5100147-4
23		5100147-1

THIS DRAWING IS A CONTROLLED DOCUMENT.

DWN	K.N.KIRAN	05AUG2004
CHK	B.MOOIJ	22SEP2004
APVD	B.MOOIJ	22SEP2004
PRODUCT SPEC	108-19082	
APPLICATION SPEC	114-19029	
WEIGHT	0.00000	
CUSTOMER DRAWING		

TE Connectivity

Z-PACK 2mm HM TYPE A
 110 POS. FEMALE CONNECTOR

SIZE	A2	CAGE CODE	00779	DRAWING NO	C=5100147	RESTRICTED TO	-
SCALE	5:1	SHEET	1 of 1	REV	F		

X-ON Electronics

Largest Supplier of Electrical and Electronic Components

Click to view similar products for [Headers & Wire Housings](#) category:

Click to view products by [TE Connectivity](#) manufacturer:

Other Similar products are found below :

[95000-104TRLF](#) [10135584-644402LF](#) [DF62W-EP2022PCA](#) [95000-106TRLF](#) [DF62W-2022SCA](#) [DF62W-EP2022PC](#) [2203348](#) [DF62W-2022SC](#) [1084018](#) [1029039](#) [1084017](#) [802-10-012-10-002000](#) [1112640](#) [1112639](#) [891-007-9SS-BST1T](#) [000-34000](#) [0008550134](#) [0009482033](#) [0009507031](#) [57102-F02-18ULF](#) [57102-S06-03LF](#) [57202-S52-04LF](#) [PCN6-15S-2.5E](#) [0039019024](#) [58102-G61-06LF](#) [582553-1](#) [0009485154](#) [0009508121](#) [0022285053](#) [0050291907](#) [018731A](#) [LY20-4P-DT1-P1E-BR](#) [02.125.8002.8](#) [60101931](#) [60598-1 \(Cut Strip\)](#) [M1625-3R/100](#) [61062-3](#) [61082-181009](#) [CSU011177004](#) [636-1427](#) [638009-1](#) [641938-9](#) [641991-4](#) [644168-1](#) [644827-2](#) [647662-1](#) [65039-019ELF](#) [65692-001LF](#) [65781-018](#) [65781-047](#)