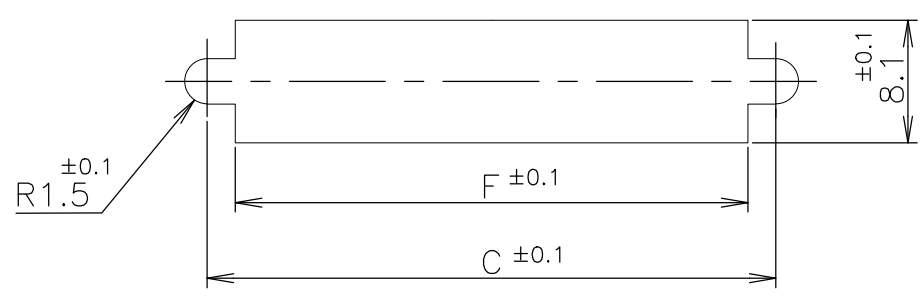
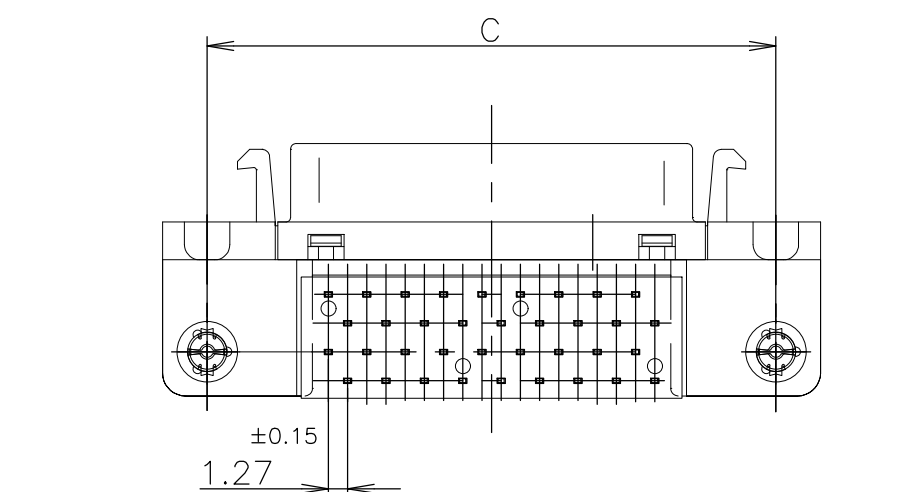
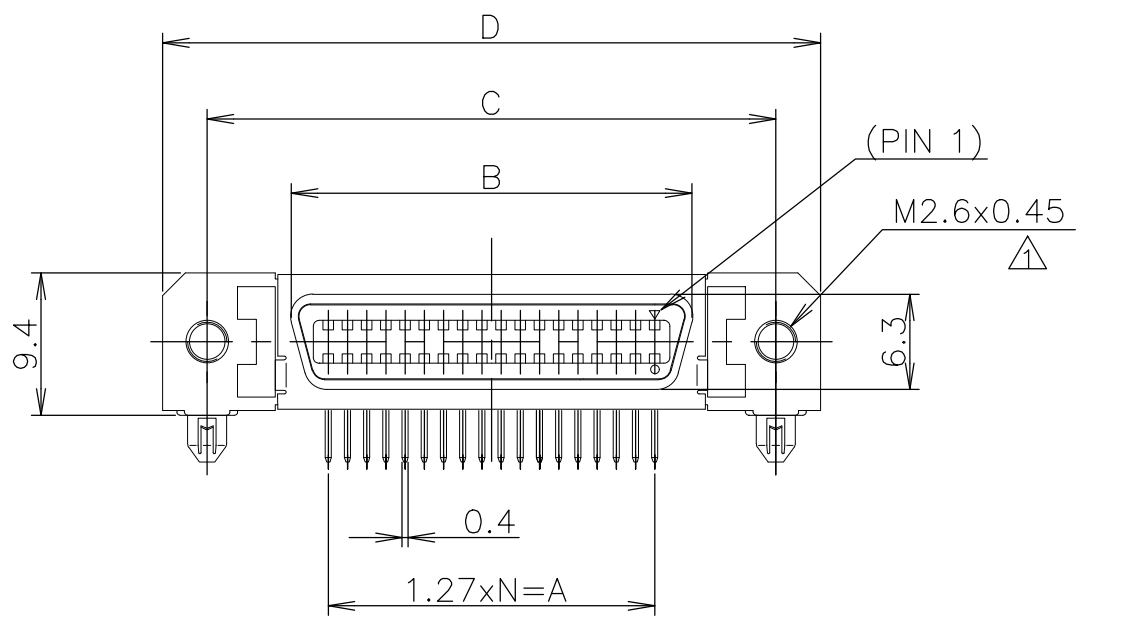
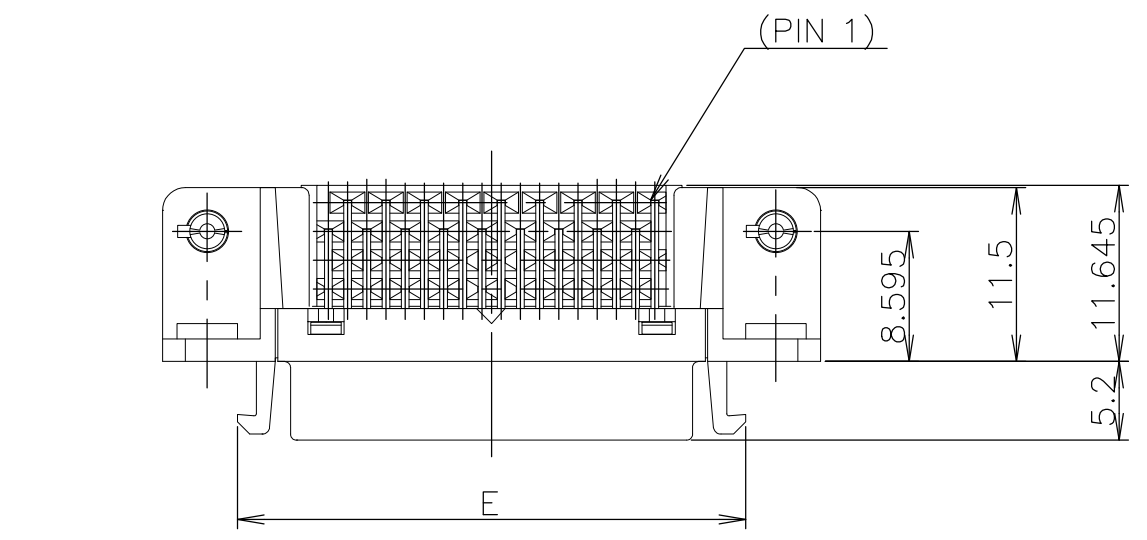
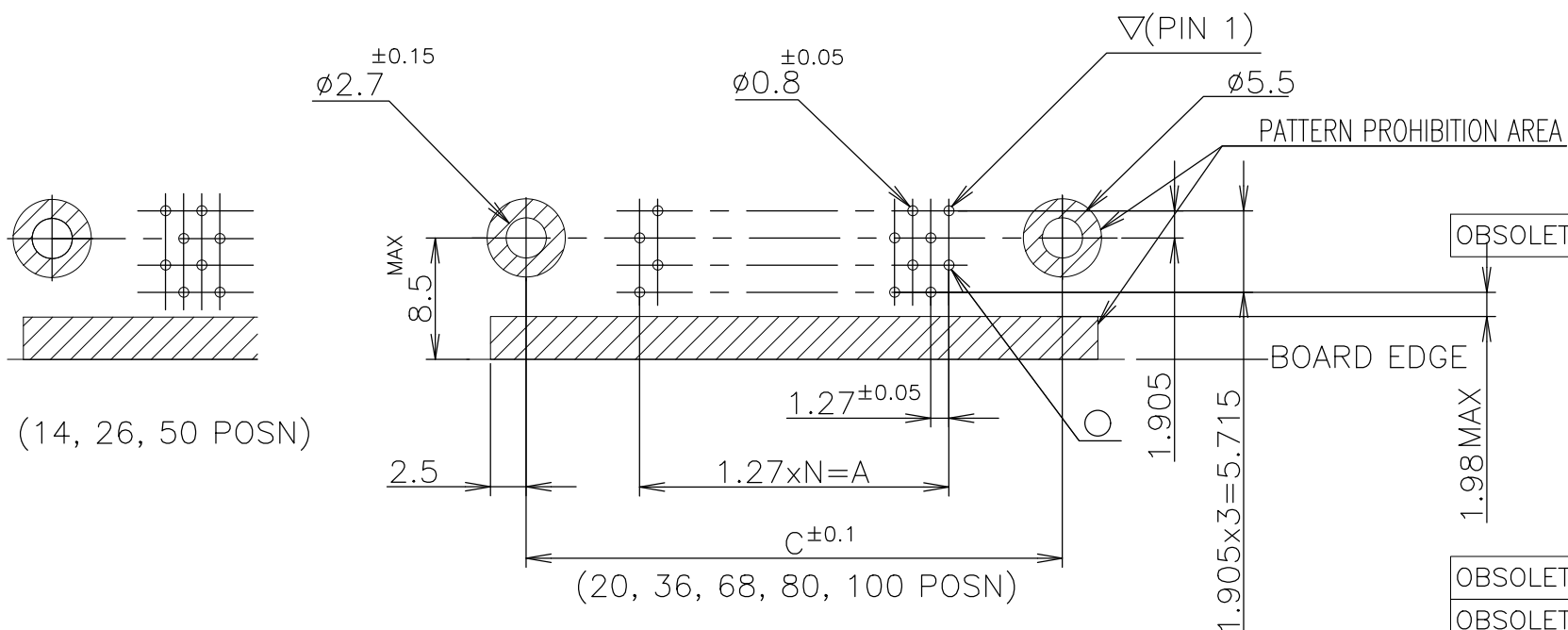
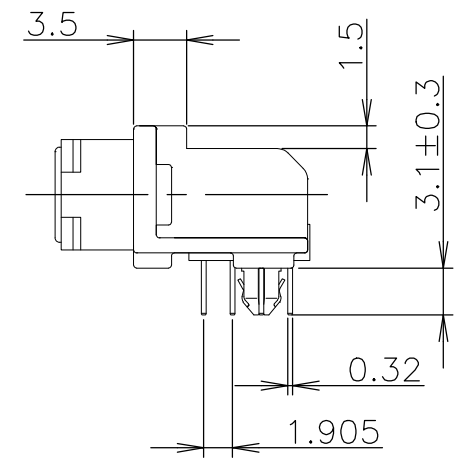
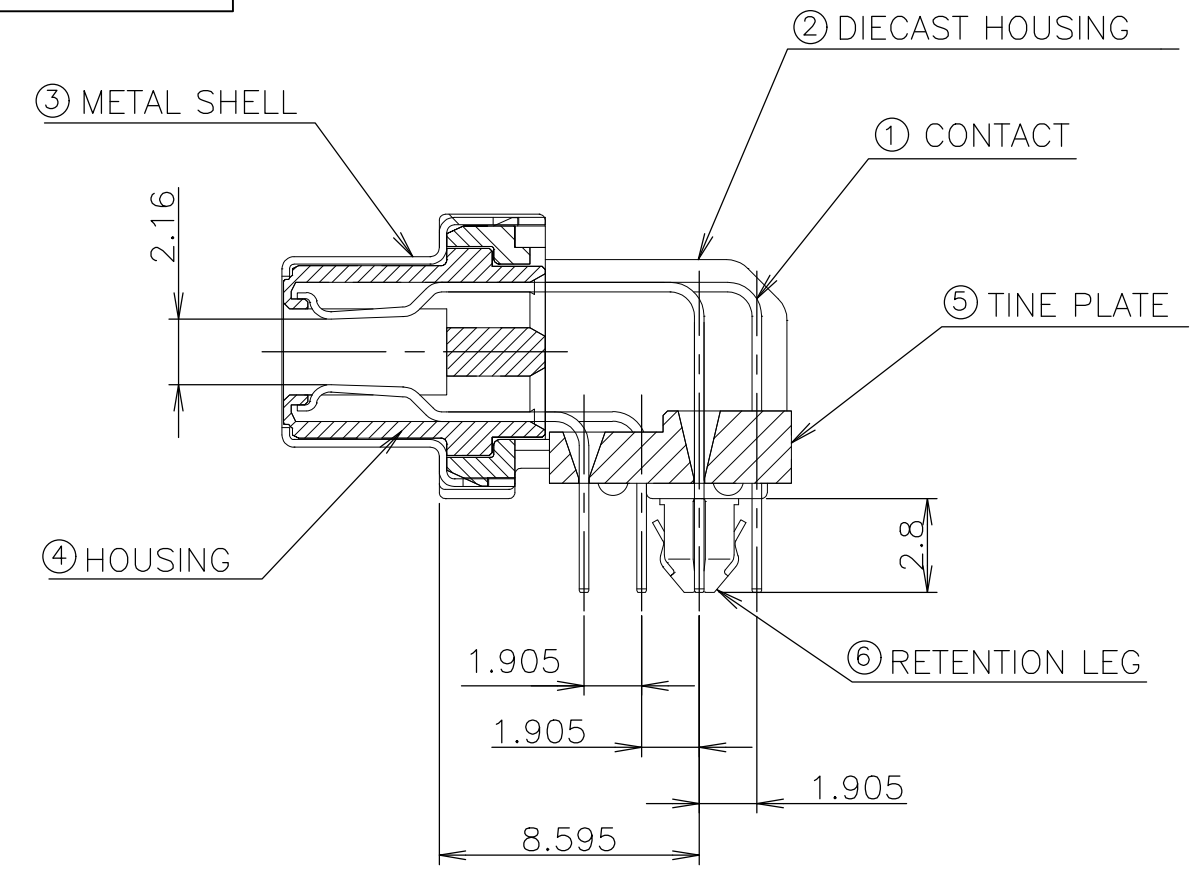


THIS DRAWING IS UNPUBLISHED. RELEASED FOR PUBLICATION SEP 2004
 © COPYRIGHT 2004 By - ALL RIGHTS RESERVED.

REVISIONS					
P	LTR	DESCRIPTION	DATE	DWN	APVD
C		REVISED PER ECO-19-008199	21JAN2020	VM	SH



RECOMENDED PANEL CUTOUT
THK,2mm MAX



RECOMMENDED PC BOARD
MOUNTING DIMMENSION
(COMPONENT SIDE)

LEAD FREE

ITEM	MATERIAL	FINISH
①	COPPER ALLOY	NICKEL UNDER PLATE ALL OVER CONTACT AREA ; Au(0.3u, 0.76u) SOLDER TINE AREA ; TIN PLATE
②	ZINC	NICKEL PLATING
③	STEEL t0.25	NICKEL PLATE OVER COPPER UNDERPLATE
④	THERMO-PLASTIC(UL:94V-0)	COLOR; BLACK
⑤		
⑥	COPPER ALLOY	TIN PLATE OVER NICKEL UNDERPLATE

- NOTES:
 1. RECOMMENDED SCREW SIZE ; M2.6 PANHEAD SCREW(L=5)
 2. RECOMMENDED P.C BOARD THICKNESS ; 1.6mm (REF)
 3. CONNECTOR TO BE MATED;175677
 4. INSERTION FORCE OF RETENTION LEG TO P.C.B; 21.56N(2.2kgf) MAX/CONNECTOR.
 5. RETENTIVITY OF RETENTION LEG TO P.C.B; 4.9N(0.5kgf) MIN/CONNECTOR.

	N	F	E	D	C	B	A	Au PLT.	POSITION	PART NO.
OBSOLETE	-39	61.9	61.55	71.45	65.55	54.53	49.53	0.76um	80	3-5178238-0
	49	74.6	74.25	84.15	78.25	67.23	62.23	0.76um	100	2-5178238-9
	33	54.2	53.93	63.83	57.93	46.91	41.91	0.76um	68	2-5178238-8
	24	42.8	42.50	52.40	46.50	35.48	30.48	0.76um	50	2-5178238-7
	17	33.9	33.61	43.51	37.61	26.59	21.59	0.76um	36	2-5178238-5
	12	27.6	27.26	37.16	31.26	20.24	15.24	0.76um	26	2-5178238-4
	9	23.8	23.45	33.35	27.45	16.43	11.43	0.76um	20	2-5178238-2
	6	19.9	19.64	29.54	23.64	12.62	7.62	0.76um	14	2-5178238-1
OBSOLETE	-39	61.9	61.55	71.45	65.55	54.53	49.53	0.3 um	80	1-5178238-0
OBSOLETE	-49	74.6	74.25	84.15	78.25	67.23	62.23	0.3 um	100	5178238-9
	33	54.2	53.93	63.83	57.93	46.91	41.91	0.3 um	68	5178238-8
	24	42.8	42.50	52.40	46.50	35.48	30.48	0.3 um	50	5178238-7
	17	33.9	33.61	43.51	37.61	26.59	21.59	0.3 um	36	5178238-5
	12	27.6	27.26	37.16	31.26	20.24	15.24	0.3 um	26	5178238-4
	9	23.8	23.45	33.35	27.45	16.43	11.43	0.3 um	20	5178238-2
	6	19.9	19.64	29.54	23.64	12.62	7.62	0.3 um	14	5178238-1

THIS DRAWING IS A CONTROLLED DOCUMENT.

DIMENSIONS: mm	TOLERANCES UNLESS OTHERWISE SPECIFIED:	DWN T.KAWAMAE 13DEC04	TE Connectivity Ltd.
	0 PLC ± 0.2	CHK I.ENOMOTO 13DEC04	RECEPTACLE HDR ASSY (3.1mm)
	1 PLC ± 0.2	APVD I.ENOMOTO 13DEC04	RETENTION LEG TYPE
	2 PLC ± 0.2	PRODUCT SPEC	STANDARD CHAMP.050 SERIES (II)
	3 PLC ± 0.2	APPLICATION SPEC	108-5288
	4 PLC ± 0.2		SIZE A2 CAGE CODE 00779 DRAWING NO C=5178238
	ANGLES ± 3°		RESTRICTED TO
MATERIAL SEE TABLE	FINISH SEE TABLE	WEIGHT 0.000000	SCALE 2:1 SHEET 1 OF 1 REV C
		CUSTOMER DRAWING	

X-ON Electronics

Largest Supplier of Electrical and Electronic Components

Click to view similar products for [Headers & Wire Housings](#) category:

Click to view products by [TE Connectivity](#) manufacturer:

Other Similar products are found below :

[892-18-020-10-001101](#) [58102-G61-06LF](#) [582553-1](#) [0009485154](#) [009176003701906](#) [0050291907](#) [LY20-4P-DT1-P1E-BR](#) [02.125.8002.8](#)
[609-3404](#) [61062-3](#) [61082-181009](#) [622-3653LF](#) [63453-116](#) [636-1030](#) [636-1427](#) [636-3427](#) [636-4007](#) [641938-9](#) [641991-4](#) [644827-2](#) [65817-010LF](#) [65817-015LF](#) [65863-015LF](#) [66207-023LF](#) [67095-007LF](#) [67601157](#) [68645-018](#) [68648-049](#) [70.362.1628.0](#) [70-4210](#) [70-4226B](#) [70-4853B](#) [707-5020](#) [707-5028](#) [71.350.2428.0](#) [71918-208LF](#) [71961-016LF](#) [733-134](#) [733-162](#) [754199-000](#) [760-3052](#) [787-8014-00](#) [79531-3000](#)
[FCN-360C032-B](#) [FCN-367T-T012/H](#) [FCN-723D010/2](#) [80.063.4001.1](#) [800-90-001-10-001000](#) [800-90-010-10-002000](#) [801-43-002-10-013000](#)