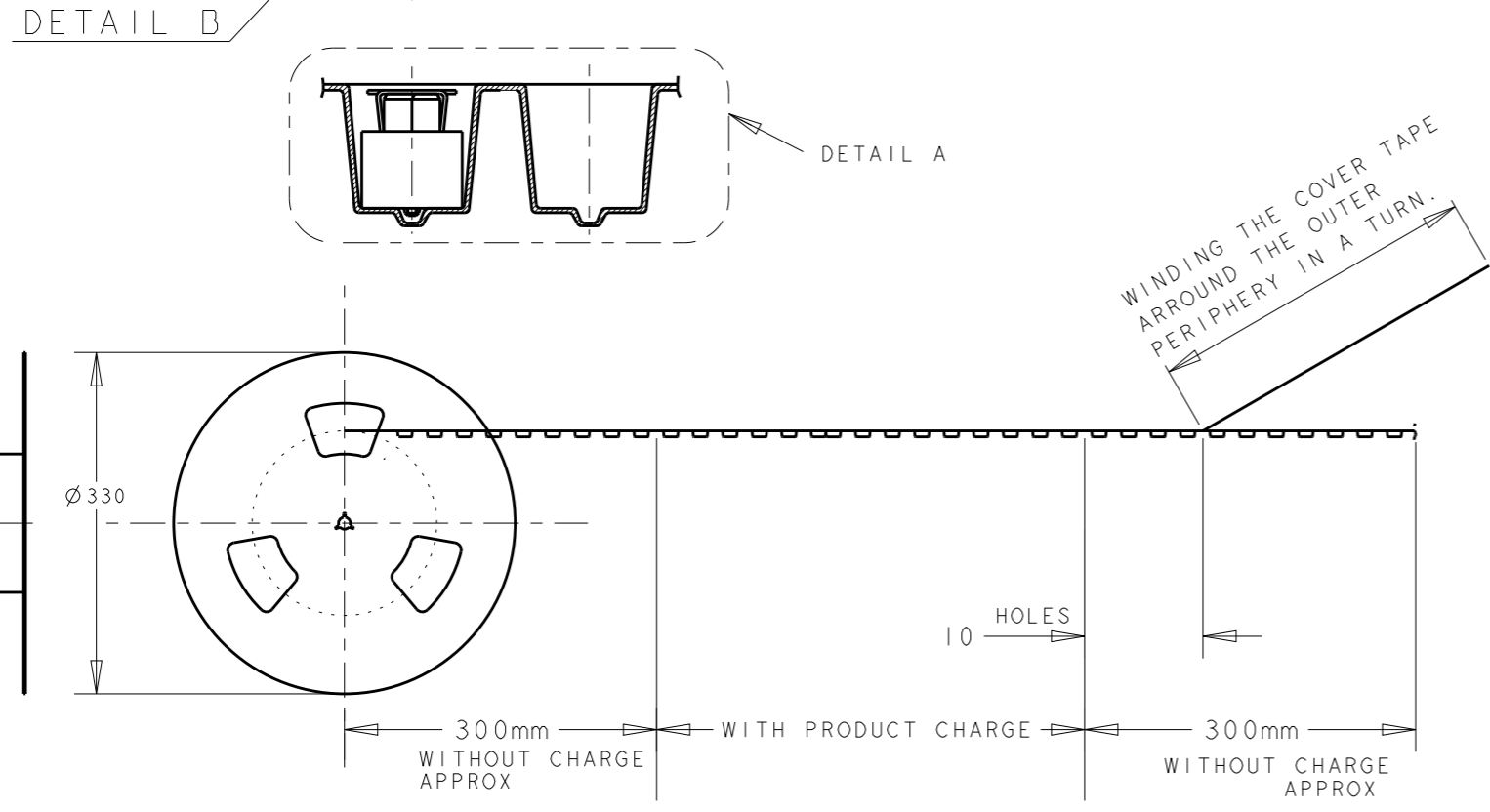
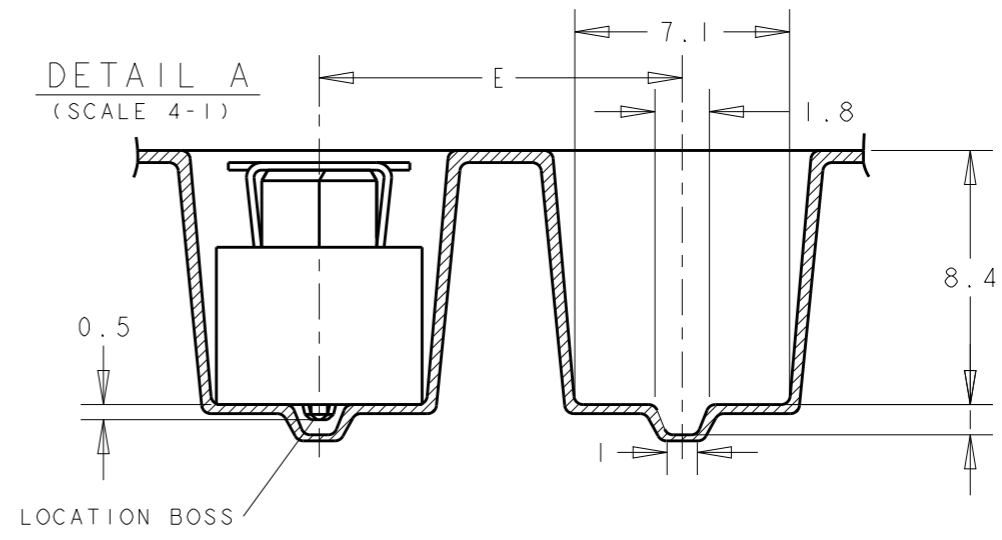
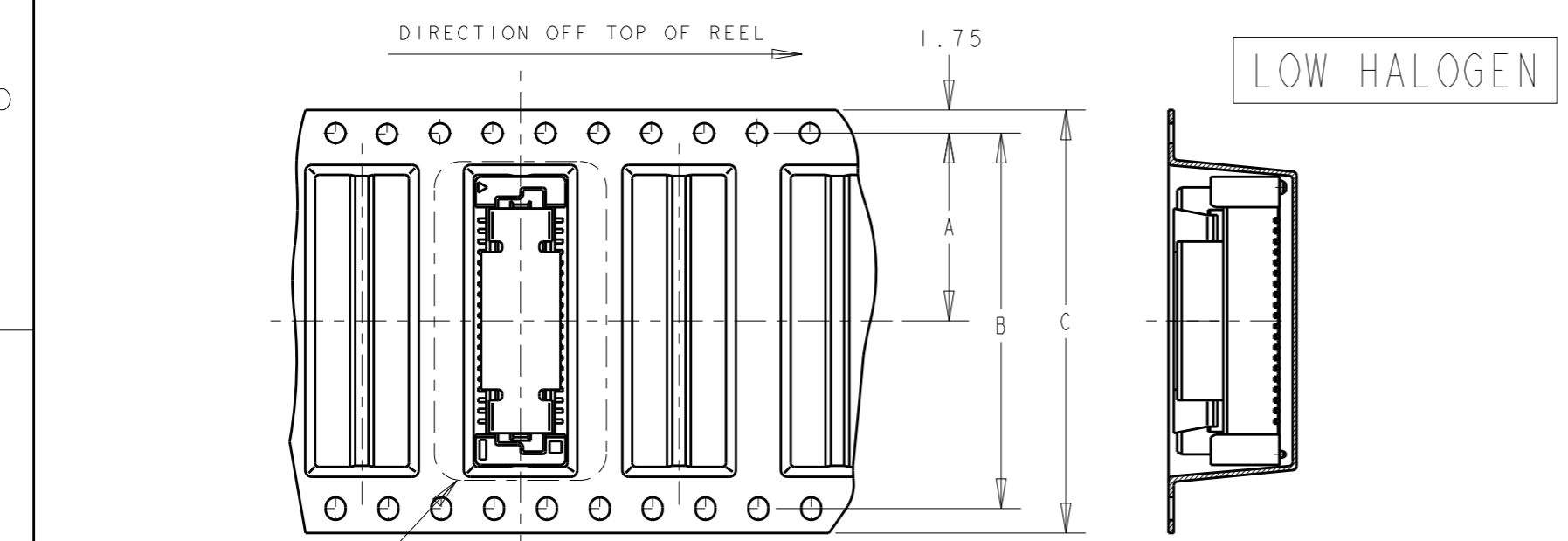
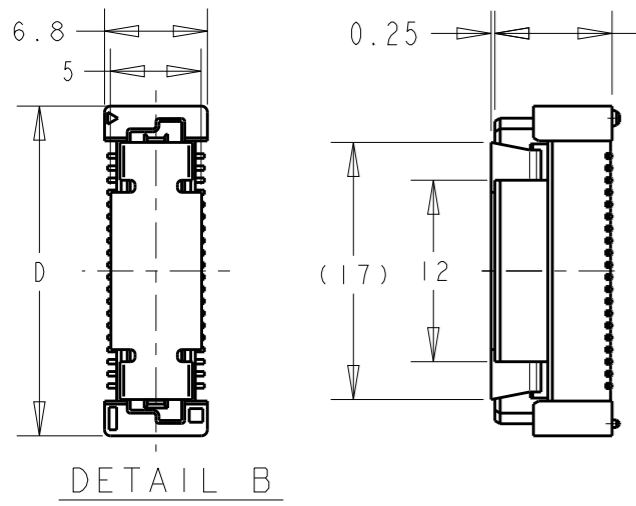


THIS DRAWING IS UNPUBLISHED. RELEASED FOR PUBLICATION 20
 © COPYRIGHT 20 BY - ALL RIGHTS RESERVED.

REVISIONS					
P	LTR	DESCRIPTION	DATE	DWN	APVD
D2		REVISED PER ECO-19-000703	16JAN2019	R.L	H.L



REMARKS	QTY	E	D	C	B	A	POS	PART NO
4	400	16	45.8	72	68.4	34.2	100	9- -4
	500	12	37.8	56	52.4	26.2	80	9- -3
	500	12	29.8	44	40.4	20.2	60	9- -2
	500	12	21.8	32	28.4	14.2	40	9-5179180-1
1	400	16	61.8	88	84.4	42.2	140	7- -6
	400	16	53.8	72	68.4	34.2	120	7- -5
	400	16	45.8	72	68.4	34.2	100	7- -4
	500	12	37.8	56	52.4	26.2	80	7- -3
	500	12	29.8	44	40.4	20.2	60	7- -2
2	500	12	21.8	32	28.4	14.2	40	7-5179180-1
	400	16	61.8	88	84.4	42.2	140	5- -6
	400	16	53.8	72	68.4	34.2	120	5- -5
	400	16	45.8	72	68.4	34.2	100	5- -4
	500	12	37.8	56	52.4	26.2	80	5- -3
3	500	12	29.8	44	40.4	20.2	60	5- -2
	500	12	21.8	32	28.4	14.2	40	5-5179180-1
	400	16	61.8	88	84.4	42.2	140	3- -6
	400	16	53.8	72	68.4	34.2	120	3- -5
	400	16	45.8	72	68.4	34.2	100	3- -4
	500	12	37.8	56	52.4	26.2	80	3- -3
	500	12	29.8	44	40.4	20.2	60	3- -2
	500	12	21.8	32	28.4	14.2	40	3-5179180-1



- WITH STEEL COVER
- NOTES:
- 1 0.00076 MIN GOLD PLATING. (30u INCHES GOLD PLATING)
 - 2 0.00020 MIN GOLD PLATING. (8u INCHES GOLD PLATING)
 - 3 0.00038 MIN GOLD PLATING. (15u INCHES GOLD PLATING)
 - 4 0.000076 MIN GOLD PLATING (Au FLASH GOLD PLATING)

THIS DRAWING IS A CONTROLLED DOCUMENT.

DIMENSIONS:	TOLERANCES UNLESS OTHERWISE SPECIFIED:
mm	
	0 PLC ±-
	1 PLC ±0.3
	2 PLC ±0.25
	3 PLC ±0.2
	4 PLC ±-
	ANGLES ±3°
MATERIAL	FINISH
-	-
-	-

DWN	14SEP04
FLORENCE TAN	
CHK	-
ERIC TNG	
APVD	-
SE LEONG	
PRODUCT SPEC	
APPLICATION SPEC	
WEIGHT	-
CUSTOMER DRAWING	

STE TE Connectivity

NAME: REC ASSY'Y 9H TYPE (0.5 BOSS L) FOR FH 0.8mm B-T-B CONN ON TAPING

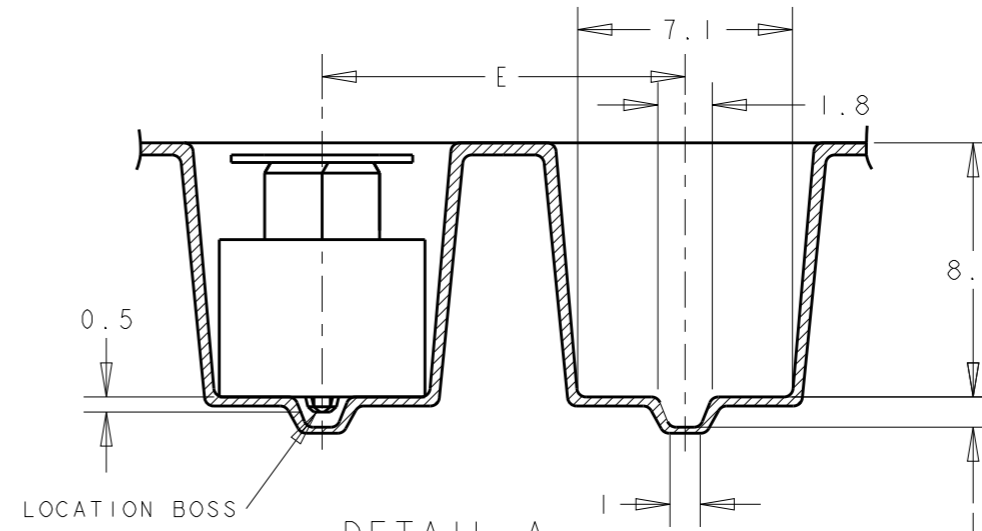
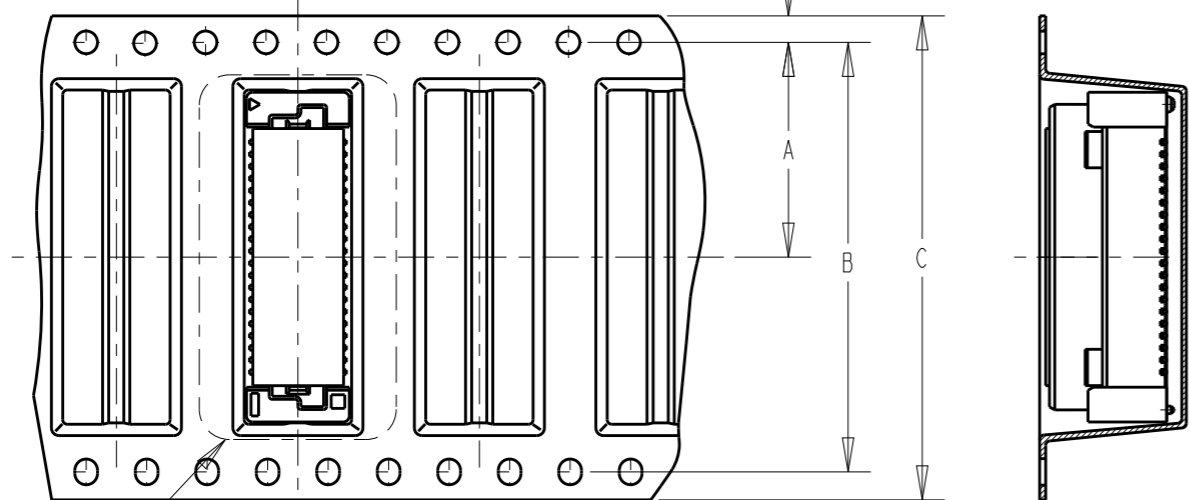
SIZE	CAGE CODE	DRAWING NO	RESTRICTED TO
A3	00779	C-5179180	-

SCALE: 2:1 SHEET 1 OF 4 REV D2

P	LTR	DESCRIPTION	DATE	DWN	APVD
		SEE SHEET 1 OF 3			

DIRECTION OFF TOP OF REEL

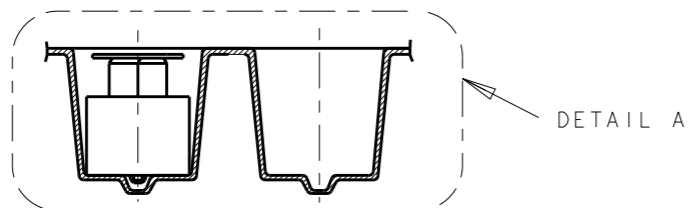
1.75



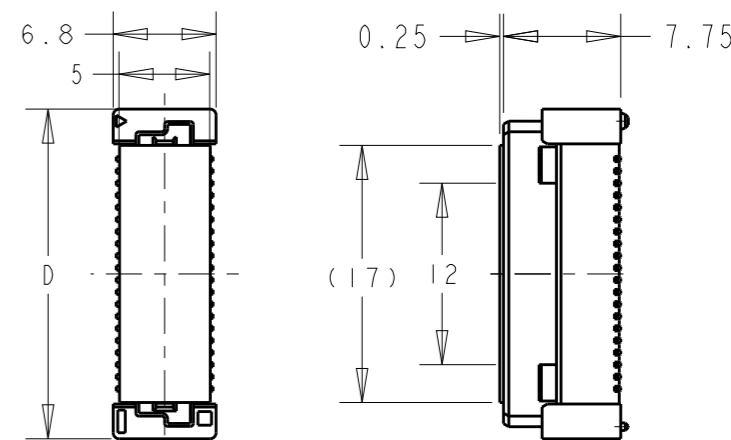
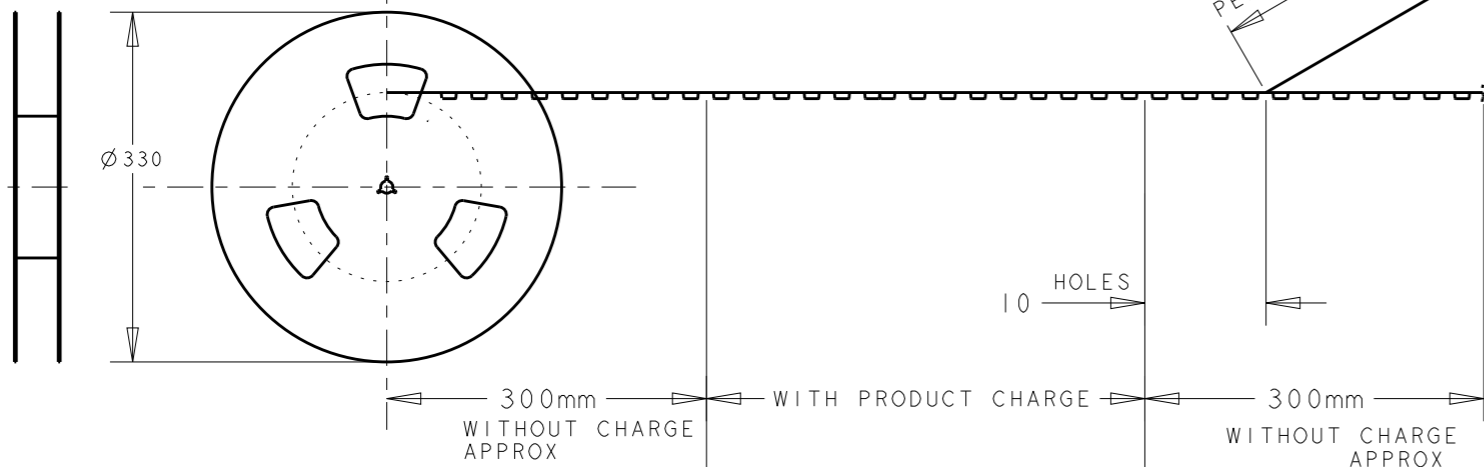
LOW HALOGEN

DETAIL A (SCALE 4-1)

DETAIL B



WINDING THE COVER TAPE AROUND THE OUTER PERIPHERY IN A TURN.



DETAIL B

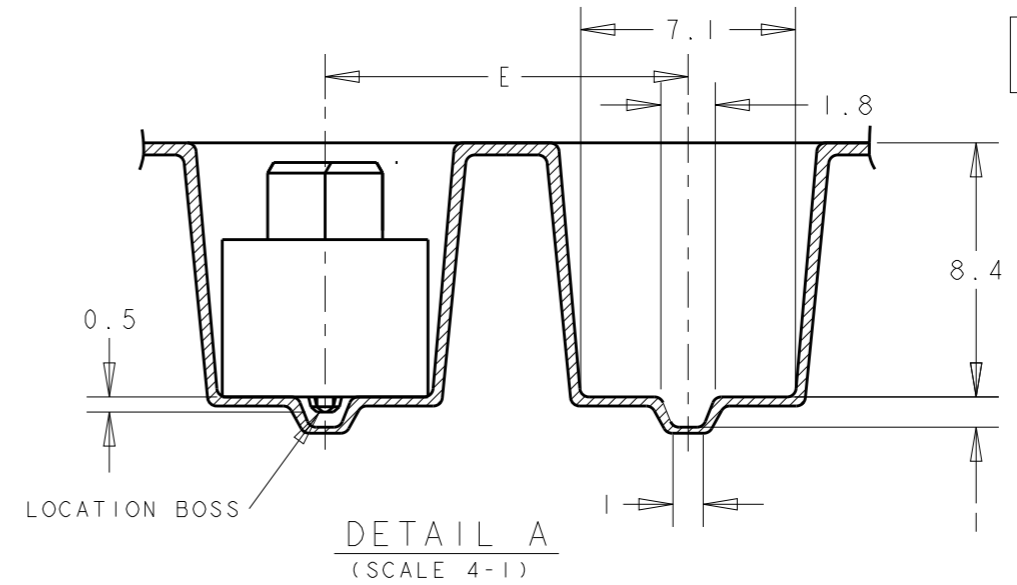
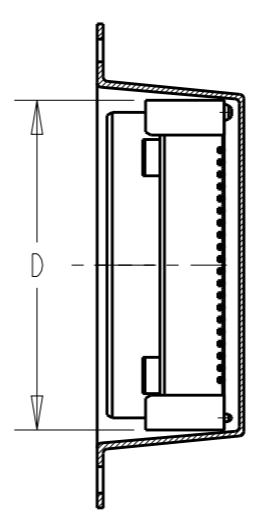
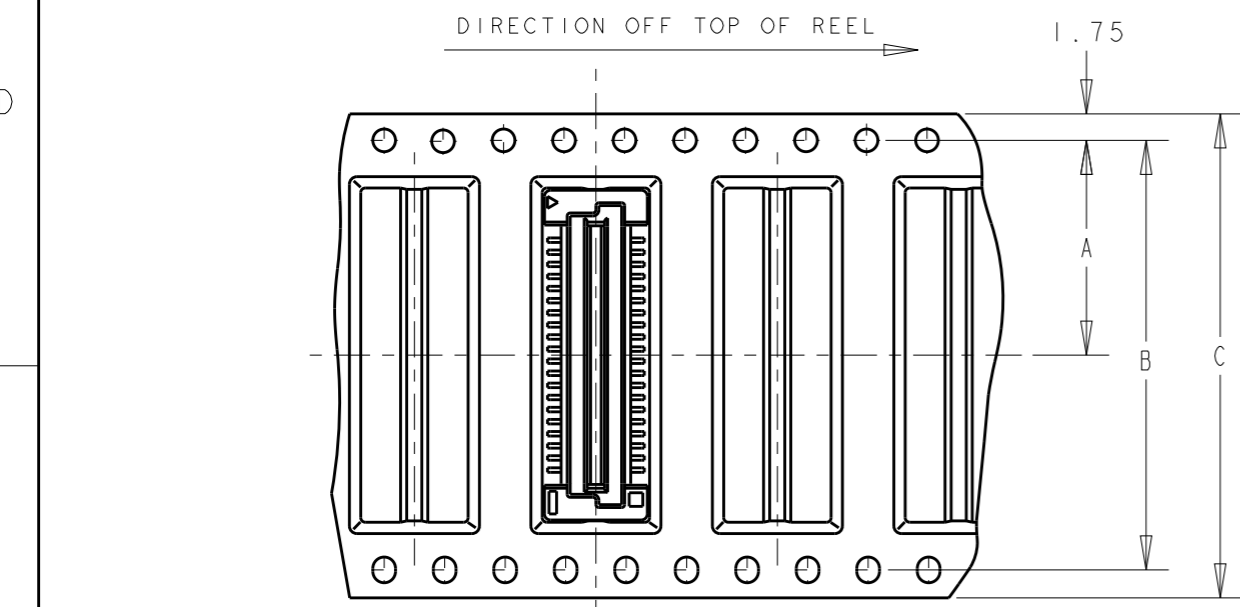
WITH POLYIMIDE COVER

9	2	400	16	61.8	88	84.4	42.2	140	9-5179180-6
REMARKS	QTY	E	D	C	B	A	POS	PART NO	

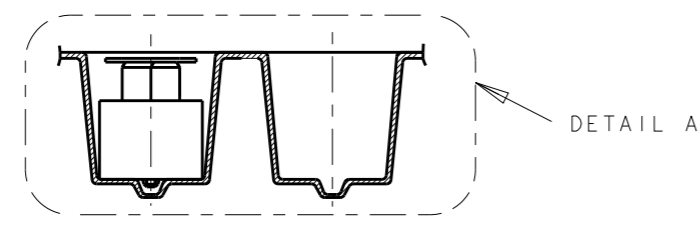
THIS DRAWING IS A CONTROLLED DOCUMENT.		DWN FLORENCE TAN 14SEP04	STE TE Connectivity	
DIMENSIONS: mm		CHK ERIC TNG		
TOLERANCES UNLESS OTHERWISE SPECIFIED:		APVD SEIFONG	NAME REC ASSY'Y 9H TYPE (0.5 BOSS L) FOR FH 0.8mm B-T-B CONN ON TAPING	
0 PLC ±0.3		PRODUCT SPEC	SIZE	
1 PLC ±0.25		APPLICATION SPEC	CAGE CODE	
2 PLC ±0.2		WEIGHT	DRAWING NO	
3 PLC ±0.2		CUSTOMER DRAWING	RESTRICTED TO	
4 PLC ±0.2			A3 00779 C-5179180	
ANGLES ±3°			SCALE 2:1	
FINISH			SHEET 2 OF 4	
			REV D2	

THIS DRAWING IS UNPUBLISHED. RELEASED FOR PUBLICATION 20
© COPYRIGHT 20 BY - ALL RIGHTS RESERVED.

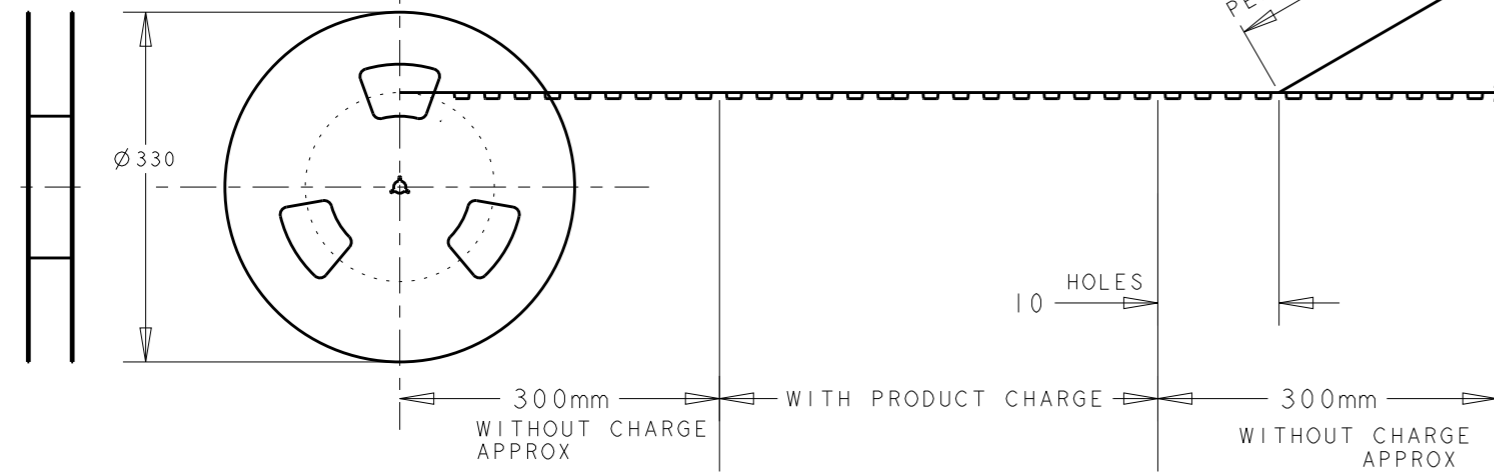
REVISIONS				
P	LTR	DESCRIPTION	DATE	APVD
		SEE SHEET 1 OF 3		



LOW HALOGEN




WINDING THE COVER TAPE AROUND THE OUTER PERIPHERY IN A TURN.

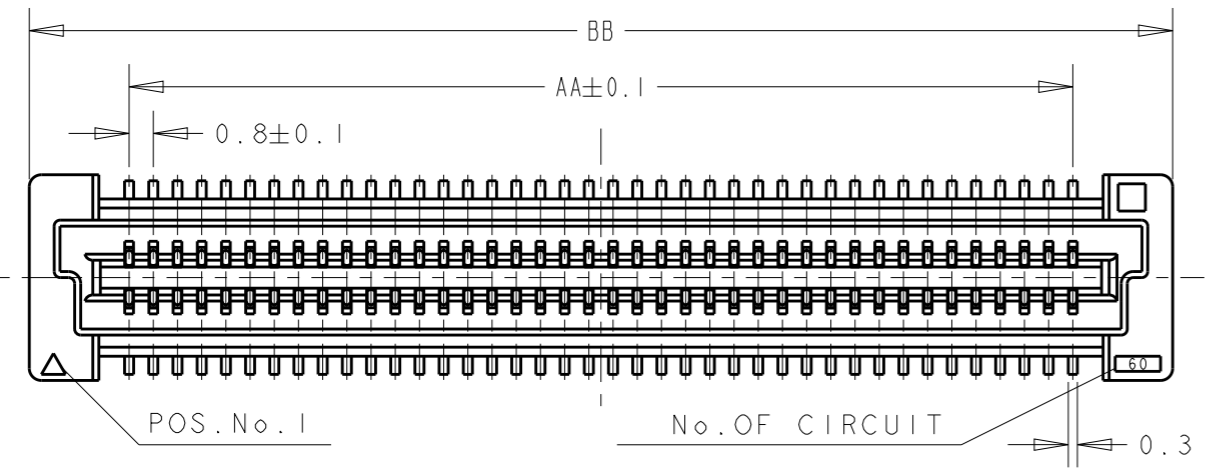


WITHOUT COVER

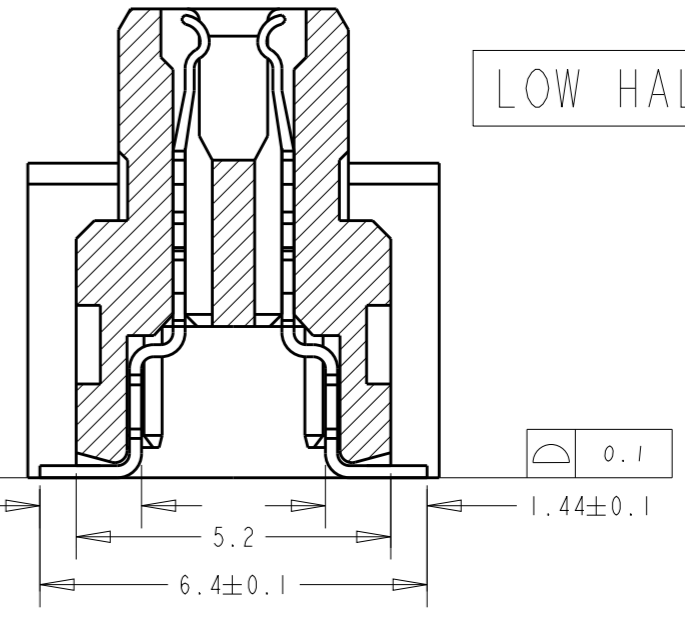
3	400	16	53.8	72	68.4	34.2	120	4-5179180-5
REMARKS	QTY	E	D	C	B	A	POS	PART NO

THIS DRAWING IS A CONTROLLED DOCUMENT.		DWN FLORENCE TAN 14SEP04	 TE Connectivity	
DIMENSIONS: mm		CHK ERIC TNG		
TOLERANCES UNLESS OTHERWISE SPECIFIED:		APVD SEIFONG	NAME REC ASSY'Y 9H TYPE (0.5 BOSS L) FOR FH 0.8mm B-T-B CONN ON TAPING	
0 PLC ±0.3		PRODUCT SPEC	SIZE A3	
1 PLC ±0.25		APPLICATION SPEC	CAGE CODE 00779	DRAWING NO 5179180
2 PLC ±0.2		WEIGHT	RESTRICTED TO	
3 PLC ±0.2		CUSTOMER DRAWING	SCALE 2:1	
4 PLC ±0.2			SHEET 3 OF 4	
ANGLES ±3°			REV D2	
FINISH				
MATERIAL				

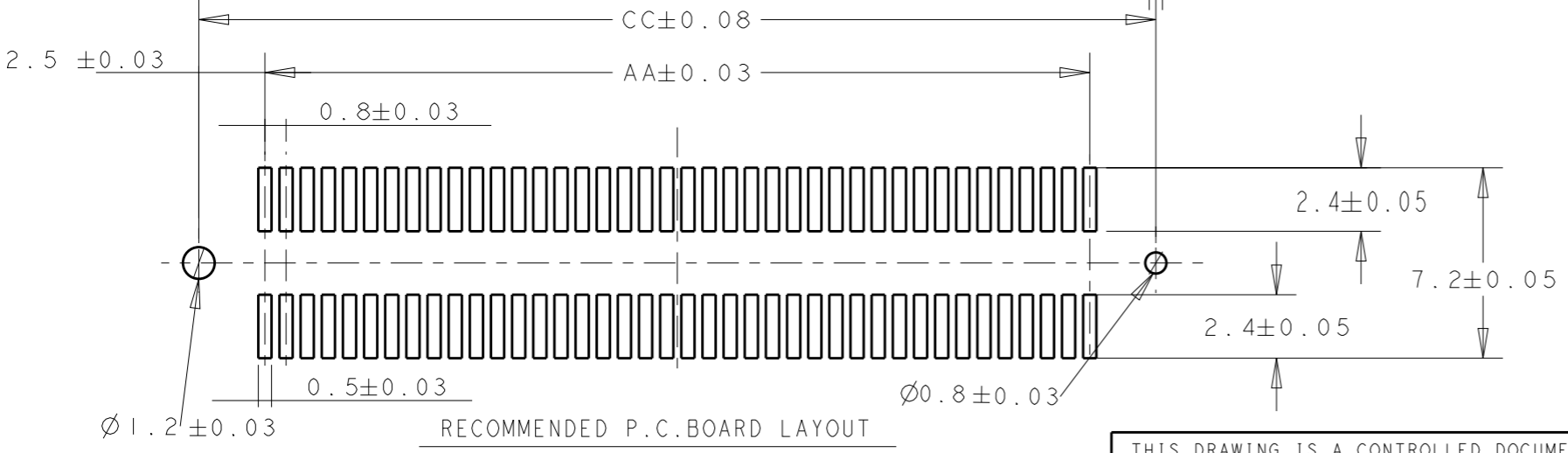
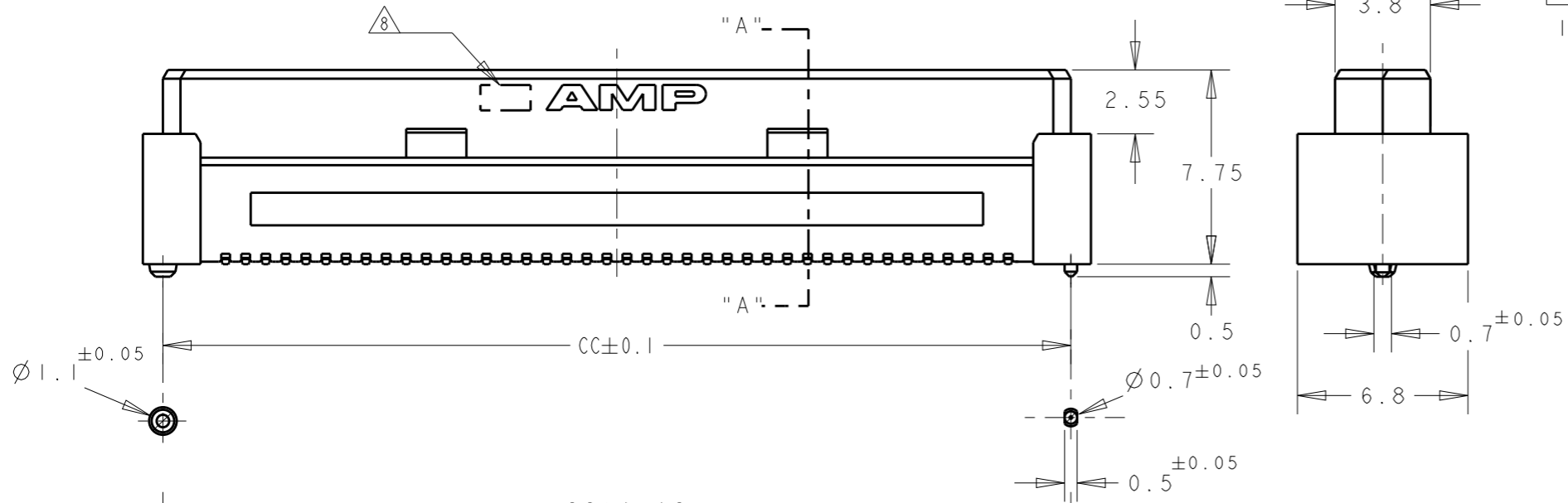
P	LTR	DESCRIPTION	DATE	DWN	APVD
		SEE SHEET 1 OF 3			



CONNECTOR ONLY



SECT "A" - "A" (SCALE: 8-1)



84.20	85.80	79.20	200
76.20	77.80	71.20	180
68.20	69.80	63.20	160
60.20	61.80	55.20	140
52.20	53.80	47.20	120
44.20	45.80	39.20	100
36.20	37.80	31.20	80
28.20	29.80	23.20	60
20.20	21.80	15.20	40
CC	BB	AA	POS.

NOTES:

- 5. MATERIAL: HOUSING: L.C.P. (HIGH TEMP. THERMOPLASTIC) UL 94V-0, NATURAL. CONTACT: BERYLIUM COPPER.
- 6. FINISH: CONTACT AREA: 0.000076 MIN GOLD ON 0.0013 MIN ALL OVER NICKEL. SOLDERING AREA: 0.002 MIN MATTE-TIN
- 7. CONN STACK HEIGHT COMBINE OF PLUG "Y" H VS REC "X" H. STACK HEIGHT = Y + X - 5
- 8. MANUFACTURE PLANT LOCATION MARK. QINGDAO:
- 9. CONNECTOR WITH BLACK HOUSING AND POLYIMIDE COVER

THIS DRAWING IS A CONTROLLED DOCUMENT.

DIMENSIONS:	TOLERANCES UNLESS OTHERWISE SPECIFIED:
mm	
	0 PLC ±
	1 PLC ±0.3
	2 PLC ±0.25
	3 PLC ±0.2
	4 PLC ±
	ANGLES ±3°
MATERIAL	FINISH

DWN	FLORENCE TAN
CHK	ERIC TNG
APVD	SEIFONG
PRODUCT SPEC	
APPLICATION SPEC	
WEIGHT	
CUSTOMER DRAWING	

STE TE Connectivity

NAME: REC ASSY'Y 9H TYPE (0.5 BOSS L) FOR FH 0.8mm B-T-B CONN ON TAPING

SIZE	CAGE CODE	DRAWING NO	RESTRICTED TO
A3	00779	C=5179180	-

SCALE: 2:1 SHEET 4 OF 4 REV D2

X-ON Electronics

Largest Supplier of Electrical and Electronic Components

Click to view similar products for [Board to Board & Mezzanine Connectors](#) category:

Click to view products by [TE Connectivity](#) manufacturer:

Other Similar products are found below :

[10135583-642402LF](#) [89885-310LF](#) [589158040000018](#) [6-1393048-0](#) [68683-613](#) [MDF7-12DP-2.54DSA](#) [MDF7-18P-2.54DSA\(01\)](#) [MDF7-20DP-2.54DSA](#) [MDF7-26D-2.54DSA\(55\)](#) [MDF7-3P-2.54DSA\(01\)](#) [MDF7B-3P-2.54DSA\(55\)](#) [MDF7C-11P-2.54DSA\(55\)](#) [MDF7C-18P-2.54DSA\(55\)](#) [MDF7C-5P-2.54DSA\(01\)](#) [MDF7P-5P-2.54DSA\(55\)](#) [75234-0516](#) [FCN-230C068-11](#) [FCN-268F012-G/BD](#) [FCN-268F036-G/BD](#) [FCN-268M012-G/0D](#) [FCN-268M024-G/1D](#) [FCN-360C008-C](#) [FCN-360C040-C](#) [FCN-723J004/1](#) [MIS-048-01-F-D-DP-K](#) [832-10-034-10-001000](#) [93696-325LF](#) [11828-1FA](#) [AXK630345P](#) [18097-0013](#) [ICA-328STT](#) [2007042-2](#) [304400-2](#) [FCN-214Q030-G/0](#) [FCN-215Q040-G/0](#) [FCN-230C068-ESA](#) [FCN-234P048-G/0](#) [FCN-235D050-G/C](#) [FCN-360A3](#) [FCN-360C040-B](#) [210-93-314-41-105000](#) [2-22603-0](#) [379-064-521-202](#) [MDF7-12P-2.54DSA\(01\)](#) [MDF7-16P-2.54DS\(56\)](#) [MDF7-40DP-2.54DSA\(55\)](#) [MDF7-8P-2.54DSA\(55\)](#) [MDF7B-16P-2.54DSA\(55\)](#) [AXG720047](#) [5031084030](#)