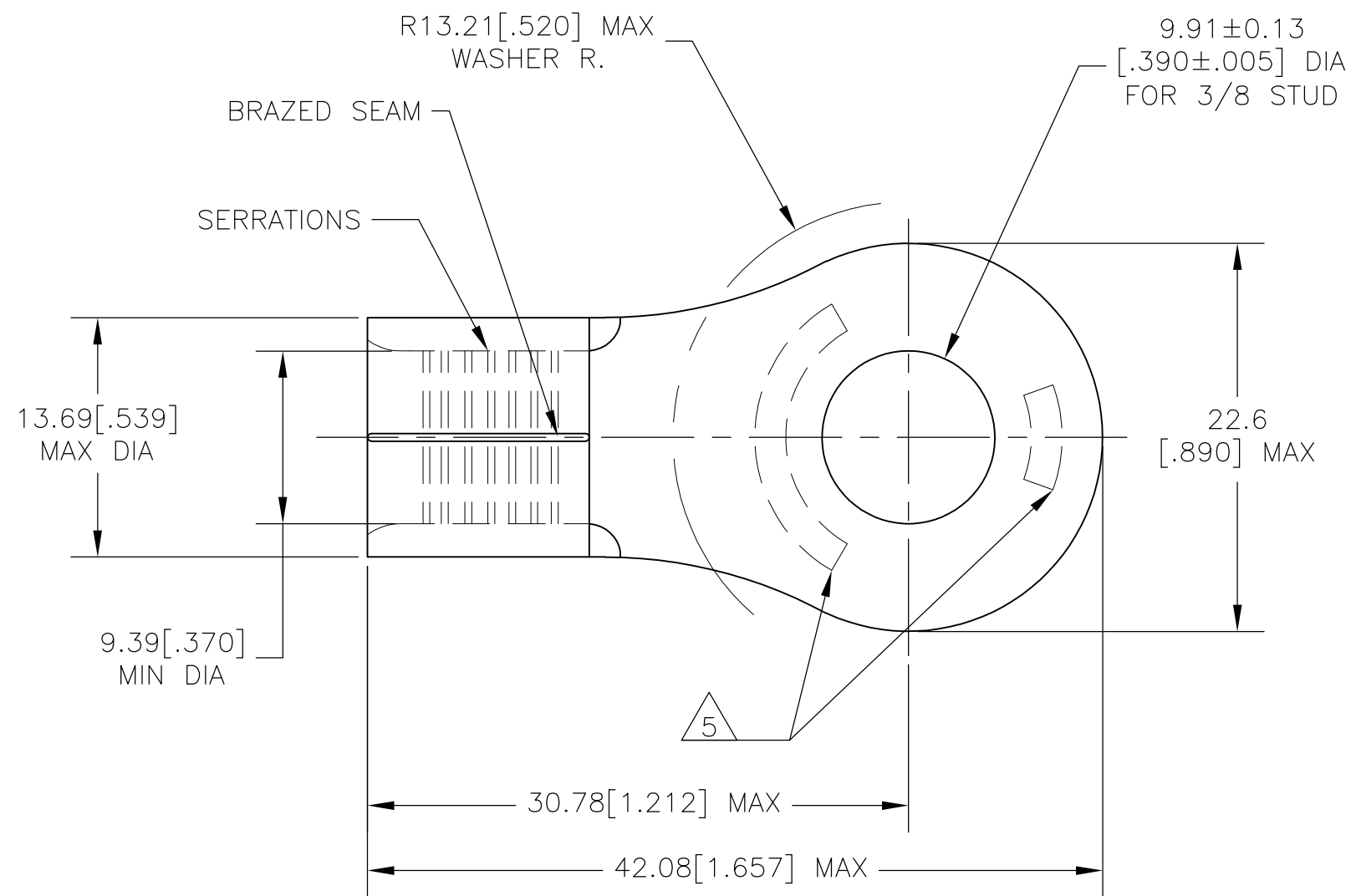


THIS DRAWING IS UNPUBLISHED. RELEASED FOR PUBLICATION  
 © COPYRIGHT - By - ALL RIGHTS RESERVED.

LOC	DIST	REVISIONS			
P	LTR	DESCRIPTION	DATE	DWN	APVD
G	14	E2	REVISED PER ECO-15-006978	06JUN2015	NK MM



- 1 TONGUE THK IS 1.80±0.06[.070±.002]
- △ 2 TIN PLATE PER ASTM B545 ANNEALED.
- 3 NOTE DELETED.
- 4 WIRE CROSS SECTIONAL AREA RANGE: 26.7-42.4mm<sup>2</sup> [52,600-83,700] CMA.
- △ 5 STAMP AMP 2W\*, 60-75 APPROX AS SHOWN.

△ 2	35184
FINISH	PART NO

THIS DRAWING IS A CONTROLLED DOCUMENT.		DWN	jr ruth	29OCT07	 TE Connectivity	NAME		TERMINAL, SOLISTRAND, RING TONGUE, WIRE SIZE : #2		
DIMENSIONS: mm[INCHES]		CHK	MJ SPICER	29OCT07		PRODUCT SPEC		SIZE	CAGE CODE	DRAWING NO
		APVD	MJ SPICER	29OCT07		APPLICATION SPEC		A3	00779	C-35184
TOLERANCES UNLESS OTHERWISE SPECIFIED:		MATERIAL		FINISH		WEIGHT	RESTRICTED TO		SCALE	
0 PLC ± - 1 PLC ± - 2 PLC ± 0.20[.008] 3 PLC ± - 4 PLC ± - ANGLES ± 5°		COPPER ASTM B152		SEE TABLE	-	-		3:1	SHEET 1 of 1	
CUSTOMER DRAWING						REV E2				

## X-ON Electronics

Largest Supplier of Electrical and Electronic Components

*Click to view similar products for [Terminals](#) category:*

*Click to view products by [TE Connectivity](#) manufacturer:*

Other Similar products are found below :

[00-054007-01074-6](#) [00-054007-70206-1](#) [00-054007-70210-8](#) [00-054007-70217-7](#) [00-054007-70226-9](#) [00-054007-70228-3](#) [00-054007-70248-1](#) [00-054007-70256-6](#) [00-054007-70301-3](#) [00-054007-70316-7](#) [0-0320562-0](#) [00-054007-49560-4](#) [00-054007-70209-2](#) [00-054007-70225-2](#) [00-054007-70227-6](#) [00-054007-70231-3](#) [00-054007-70241-2](#) [00-054007-70242-9](#) [00-054007-70244-3](#) [00-054007-70246-7](#) [00-054007-70263-4](#) [00-054007-70288-7](#) [00-054007-70290-0](#) [00-054007-70300-6](#) [00-054007-70304-4](#) [01-2065-1-0216](#) [01-2900-1-04412](#) [00581P0075](#) [600TS-10](#) [60205-1](#) [604200-1](#) [605601-1](#) [60598-1-CUT-TAPE](#) [61314-6-C](#) [61810-3](#) [61-S](#) [61-SN](#) [626-0194](#) [62-NBM-A](#) [62-SN](#) [62-SP](#) [63-S](#) [640179-1](#) [M55155/059I03](#) [M55155/079C01](#) [M55155/099H02](#) [M55155/109H01](#) [M55155/109H02](#) [M55155/12XH05](#) [M55155/16XH02](#)