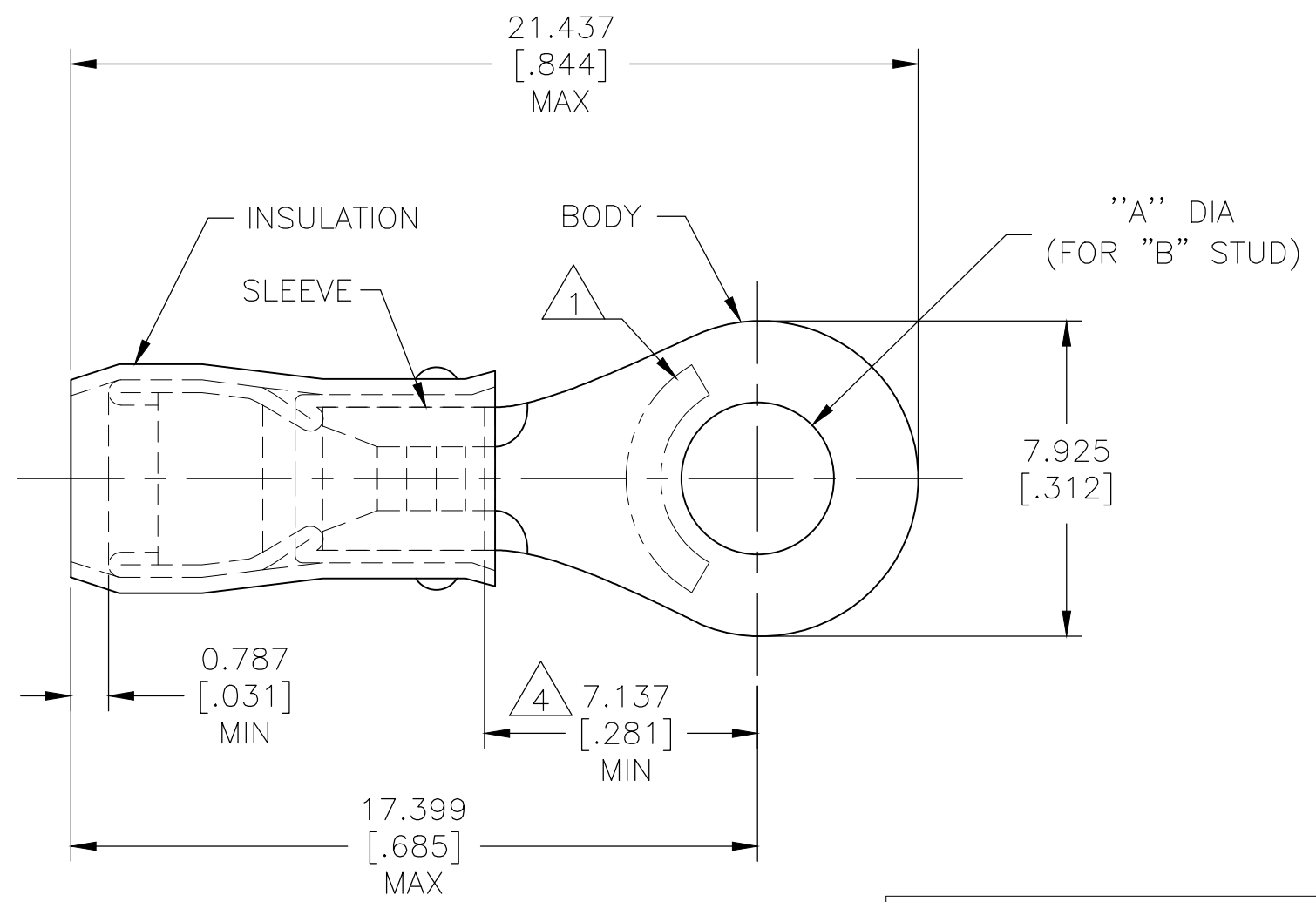


THIS DRAWING IS UNPUBLISHED. RELEASED FOR PUBLICATION
 © COPYRIGHT - By - ALL RIGHTS RESERVED.

REVISIONS					
P	LTR	DESCRIPTION	DATE	DWN	APVD
	AC2	REVISED PER ECO-17-007400	18DEC2017	RS	DR
	AC3	REVISED PER ECO-19-007720	21MAY2020	KR	DR



AMP WIRE RANGE	E13288 Listed	LR7189 Certified
16-14 AWG SOLID OR STRANDED	16-14 AWG STRANDED	16-14 AWG SOLID OR STRANDED

- 1 STAMP AMP 16-14* APPROX AS SHOWN.
- 2 WIRE INSULATION : $\phi 2.669-3.810[\phi .105-.150]$.
- 3 BODY MATERIAL THK: $0.787\pm 0.051[.031\pm .002]$.
- 4 APPLIES FROM EDGE OF METAL WIRE BARREL TO CENTER OF STUD HOLE
- 5 UL LISTED
- 6 CSA CERTIFIED

	MILITARY P/N AND CLASS	"B"	DIM "A"	QUANTITY	PACKAGE TYPE	PART NO
	-	[#10]	$5.004\pm 0.076[.197\pm .003]$	100	LOOSE PIECE, BOX	5-51864-1
	-	M4[#8]	$4.343\pm 0.076[.171\pm .003]$	100	LOOSE PIECE, BOX	4-51864-1
	-	M3.5[#6]	$3.683\pm 0.076[.145\pm .003]$	100	LOOSE PIECE, BOX	3-51864-1
	MS25036-153 CLASS 2	M4[#8]	$4.343\pm 0.076[.171\pm .003]$	5000	ON TAPE, REEL	51864-5
	MS25036-108 CLASS 2	[#10]	$5.004\pm 0.076[.197\pm .003]$	5000	ON TAPE, REEL	51864-4
	MS25036-107 CLASS 2	M3.5[#6]	$3.683\pm 0.076[.145\pm .003]$	5000	ON TAPE, REEL	51864-3
	MS25036-108 CLASS 1 & 2	[#10]	$5.004\pm 0.076[.197\pm .003]$	1000	LOOSE PIECE	51864-2
	MS25036-153 CLASS 1 & 2	M4[#8]	$4.343\pm 0.076[.171\pm .003]$	1000	LOOSE PIECE	51864-1
	MS25036-107 CLASS 1 & 2	M3.5[#6]	$3.683\pm 0.076[.145\pm .003]$	1000	LOOSE PIECE	51864

AMP INCORPORATED
CUSTOMER SERVICE SYSTEMS

FOR ADDITIONAL PRODUCT INFORMATION OR COPIES OF DRAWINGS AND TECHNICAL DOCUMENTS
 PRODUCT INFORMATION CENTER
 1-800-522-6752

FOR APPLICATION TOOLING INFORMATION
 TOOLING ASSISTANCE CENTER
 1-800-722-1111

FOR ORDER ENTRY
 1-800-526-5142

MAX RECOMMENDED OPERATING TEMPERATURE:
 105°C[221°F] MAX

VOLTAGE RATING:
 300 V MAX

CIRCULAR MIL AREA:
 1.04-2.62mm²[2050-5180] CIR MILS
 SOLID OR STRANDED

THIS DRAWING IS A CONTROLLED DOCUMENT.

DIMENSIONS: mm [INCHES]

TOLERANCES UNLESS OTHERWISE SPECIFIED:

0 PLC	± -
1 PLC	± -
2 PLC	± -
3 PLC	± 0.127[.005]
4 PLC ANGLES	± -

MATERIAL: BODY & SLEEVE: COPPER PER ASTM B-152
 INSULATION: NYLON

FINISH: BODY & SLEEVE: TIN PLATE PER ASTM B545
 INSULATION: COLOR-BLUE

DWN: JR RUTH 27OCT99
 CHK: RE HERSEY 27OCT99
 APVD: C PRESNELL 27OCT99

PRODUCT SPEC: UL 486 A-B

APPLICATION SPEC: 114-2157

WEIGHT: -

STE TE Connectivity

NAME: TERMINAL, RING TONGUE, PIDG,TM
 WIRE SIZE, 16-14 AWG

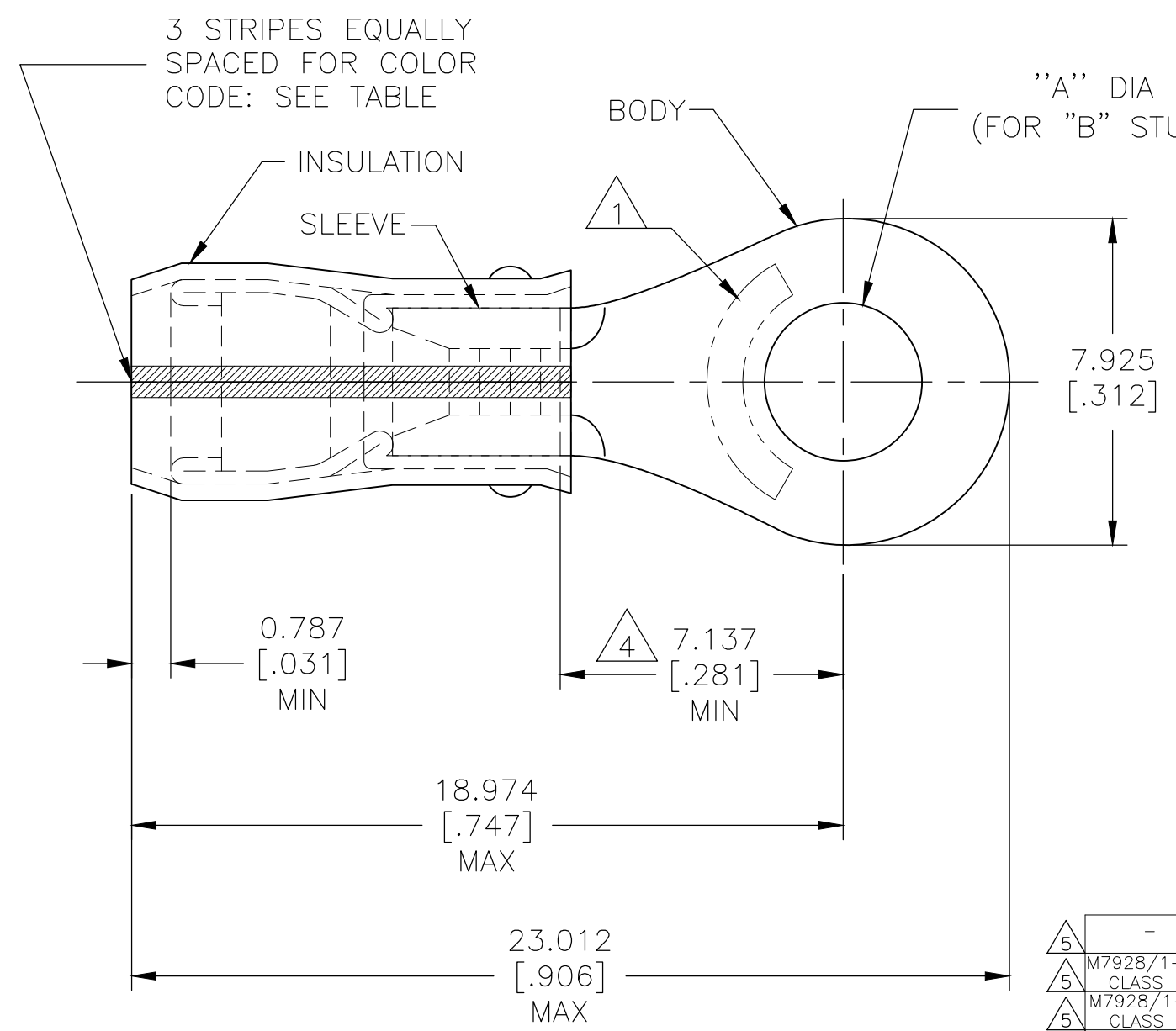
SIZE: A3 CAGE CODE: 00779 DRAWING NO: C-51864 RESTRICTED TO: -

SCALE: NTS SHEET: 1 OF 2 REV: AC3

THIS DRAWING IS UNPUBLISHED. RELEASED FOR PUBLICATION
 © COPYRIGHT - By - ALL RIGHTS RESERVED.

REVISIONS				
P	LTR	DESCRIPTION	DATE	APVD
-	-	SEE SHEET 1	-	-

AMP WIRE RANGE	LR 7189 Certified
SEE TABLE STRANDED	WIRE SIZE PER TABLE STRANDED



- 1 STAMP AMP APPROX AS SHOWN SEE TABLE BELOW.
- 2 WIRE INSULATION : $\phi 1.600-3.302[\phi .063-.130]$ FOR 16 AWG, $\phi 1.981-3.302[\phi .078-.130]$ FOR 14 AWG.
- 3 BODY MATERIAL THK: $0.787 \pm 0.051[.031 \pm .002]$.
- 4 APPLIES FROM EDGE OF METAL WIRE BARREL TO CENTER OF STUD HOLE
- 5 CSA CERTIFIED

MILITARY P/N AND CLASS	STRIPE COLOR	STAMPING	WIRE SIZE	"B"	DIM "A"	QUANTITY	PACKAGE TYPE	PART NO
-	BLUE	16*	16	M3.5[#6]	$3.683 \pm 0.076[.145 \pm .003]$	100	LOOSE PIECE, BOX	6-51864-1
M7928/1-50 CLASS 2	GREEN	14*	14	M4[#8]	$4.343 \pm 0.076[.171 \pm .003]$	5000	ON TAPE, REEL	1-51864-7
M7928/1-51 CLASS 2	GREEN	14*	14	[#10]	$5.004 \pm 0.076[.197 \pm .003]$	5000	ON TAPE, REEL	1-51864-5
M7928/1-42 CLASS 2	BLUE	16*	16	[#10]	$5.004 \pm 0.076[.197 \pm .003]$	5000	ON TAPE, REEL	1-51864-3
M7928/1-50 CLASS 1 & 2	GREEN	14*	14	M4[#8]	$4.343 \pm 0.076[.171 \pm .003]$	1000	LOOSE PIECE	1-51864-1
M7928/1-41 CLASS 1 & 2	BLUE	16*	16	M4[#8]	$4.343 \pm 0.076[.171 \pm .003]$	1000	LOOSE PIECE	1-51864-0
M7928/1-51 CLASS 1 & 2	GREEN	14*	14	[#10]	$5.004 \pm 0.076[.197 \pm .003]$	1000	LOOSE PIECE	51864-9
M7928/1-49 CLASS 1 & 2	GREEN	14*	14	M3.5[#6]	$3.683 \pm 0.076[.145 \pm .003]$	1000	LOOSE PIECE	51864-8
M7928/1-42 CLASS 1 & 2	BLUE	16*	16	[#10]	$5.004 \pm 0.076[.197 \pm .003]$	1000	LOOSE PIECE	51864-7
M7928/1-40 CLASS 1 & 2	BLUE	16*	16	M3.5[#6]	$3.683 \pm 0.076[.145 \pm .003]$	1000	LOOSE PIECE	51864-6

AMP INCORPORATED
CUSTOMER SERVICE SYSTEMS

FOR ADDITIONAL PRODUCT INFORMATION OR COPIES OF DRAWINGS AND TECHNICAL DOCUMENTS
 PRODUCT INFORMATION CENTER
 1-800-522-6752

FOR APPLICATION TOOLING INFORMATION
 TOOLING ASSISTANCE CENTER
 1-800-722-1111

FOR ORDER ENTRY
 1-800-526-5142

MAX RECOMMENDED OPERATING TEMPERATURE: $105^{\circ}\text{C}[221^{\circ}\text{F}]$ MAX

VOLTAGE RATING: 300 V MAX

WIRE RANGE: 16, 14
 CIRC MIL AREA: $1.42\text{mm}^2[2800]$, $2.15\text{mm}^2[4234]$

STRANDED

THIS DRAWING IS A CONTROLLED DOCUMENT.

DIMENSIONS: mm [INCHES]

TOLERANCES UNLESS OTHERWISE SPECIFIED:
 0 PLC $\pm -$
 1 PLC $\pm -$
 2 PLC $\pm -$
 3 PLC $\pm 0.127[.005]$
 4 PLC ANGLES $\pm -$

MATERIAL: BODY & SLEEVE: COPPER PER ASTM B-152 INSULATION: NYLON
 FINISH: BODY & SLEEVE: TIN PLATE PER ASTM B545 INSULATION: COLOR-BLUE

DWN JR RUTH 270CT99
 CHK RE HERSEY 270CT99
 APVD C PRESNELL 270CT99

STE TE Connectivity

NAME: TERMINAL, RING TONGUE, I.R., PIDG™, WIRE SIZE, 16 & 14 AWG

PRODUCT SPEC: 114-2157
 APPLICATION SPEC: 114-2157
 WEIGHT: -

SIZE: A3 CAGE CODE: 00779 DRAWING NO: C-51864 RESTRICTED TO: -

CUSTOMER DRAWING SCALE: NTS SHEET: 2 OF 2 REV: AC3

X-ON Electronics

Largest Supplier of Electrical and Electronic Components

Click to view similar products for [Terminals](#) category:

Click to view products by [TE Connectivity](#) manufacturer:

Other Similar products are found below :

[00-054007-01074-6](#) [00-054007-70206-1](#) [00-054007-70210-8](#) [00-054007-70217-7](#) [00-054007-70226-9](#) [00-054007-70228-3](#) [00-054007-70248-1](#) [00-054007-70256-6](#) [00-054007-70301-3](#) [00-054007-70316-7](#) [0-0320562-0](#) [00-054007-49560-4](#) [00-054007-70209-2](#) [00-054007-70225-2](#) [00-054007-70227-6](#) [00-054007-70231-3](#) [00-054007-70241-2](#) [00-054007-70242-9](#) [00-054007-70244-3](#) [00-054007-70246-7](#) [00-054007-70263-4](#) [00-054007-70288-7](#) [00-054007-70290-0](#) [00-054007-70300-6](#) [00-054007-70304-4](#) [01-2065-1-0216](#) [01-2900-1-04412](#) [00581P0075](#) [600TS-10](#) [60205-1](#) [604200-1](#) [605601-1](#) [60598-1-CUT-TAPE](#) [61314-6-C](#) [61810-3](#) [61-S](#) [61-SN](#) [626-0194](#) [62-NBM-A](#) [62-SN](#) [62-SP](#) [63-S](#) [640179-1](#) [M55155/059I03](#) [M55155/079C01](#) [M55155/099H02](#) [M55155/109H01](#) [M55155/109H02](#) [M55155/12XH05](#) [M55155/16XH02](#)