

THIS DRAWING IS UNPUBLISHED.

RELEASED FOR PUBLICATION

REVISIONS

© COPYRIGHT - By -

ALL RIGHTS RESERVED.

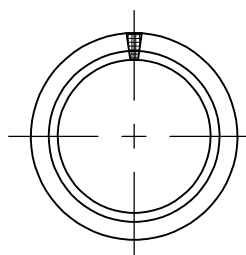
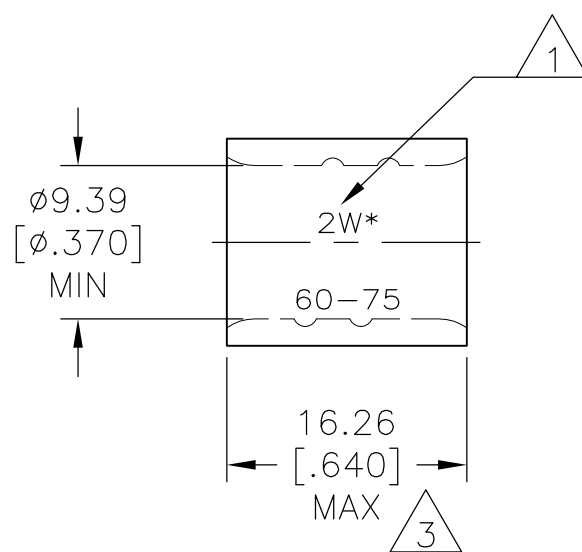
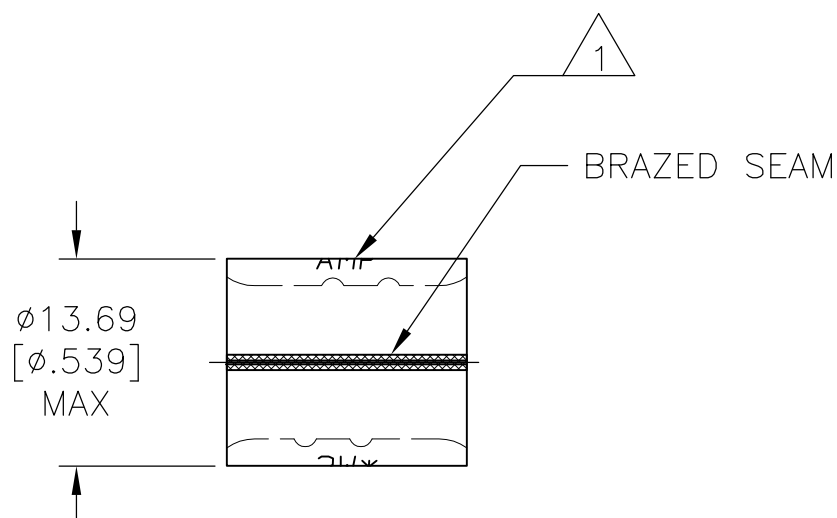
P	LTR	DESCRIPTION	DATE	DWN	APVD
	F5	REVISED PER ECR-17-000959	24FEB2017	RS	DR

**AMP**  
WIRE RANGE

---

2 AWG  
SOLID OR STRANDED

- 1 STAMP AMP 2W\* 60-75 APPROX AS SHOWN.
- 2 MATERIAL THK: 1.78<sup>±0.08</sup> [.070<sup>±.003</sup>].
- 3 MAX LENGTH DOES NOT INCLUDE MANUFACTURING TABS.
- 4 TIN PLATE 0.00254 [.000100] MIN. EXT. THK. PER ASTM B545.
- 5 TIN/LEAD (60/40) PLATE, 0.00254 [.000100] MIN. EXT. THK. PER SAE-AMS-P-81728.
- 6 UL LISTED E13288, 2 AWG STRANDED.
- 7 NOTE DELETED.
- 8 CSA CERTIFIED LR7189, 2 AWG SOLID OR STRANDED.
- 9 NICKEL PLATE 0.00762 [.000300] MIN. EXT. THK. PER SAE AMS QQ-N-290.



PRELIMINARY

MAX. OPERATING TEMPERATURE	QTY.	PACKAGE TYPE	APPROVALS	FINISH	PART NO.
170°C [338°F]	25	LOOSE PIECE	6 8	4	8-35187-3
343°C [650°F]	50		---	9	35187-3
170°C [338°F]	50		---	5	35187-1
	50		6 8	4	35187

AMP INCORPORATED CUSTOMER SERVICE SYSTEMS		MAX RECOMMENDED OPERATING TEMPERATURE: SEE TABLE	THIS DRAWING IS A CONTROLLED DOCUMENT.		DWN DK SCHRUM 8/28/92	<b>STE</b> TE Connectivity				
FOR ADDITIONAL PRODUCT INFORMATION OR COPIES OF DRAWINGS AND TECHNICAL DOCUMENTS	PRODUCT INFORMATION CENTER 1-800-522-6752	VOLTAGE RATING: N/A	DIMENSIONS: mm [INCHES]	TOLERANCES UNLESS OTHERWISE SPECIFIED:	CHK DA PATTERSON 9/8/92					NAME DA PATTERSON
FOR APPLICATION TOOLING INFORMATION	TOOLING ASSISTANCE CENTER 1-800-722-1111	CIRCULAR MIL AREA: 26.7-42.4mm² [52,600-83,700] SOLID OR STRANDED		0 PLC ± - 1 PLC ± - 2 PLC ± 0.20 [.008] 3 PLC ± - 4 PLC ± - ANGLES ± -	APVD DA PATTERSON 9/8/92	PRODUCT SPEC ---				
FOR ORDER ENTRY	1-800-526-5142	THIS DRAWING IS A CONTROLLED DOCUMENT FOR AMP INCORPORATED. IT IS SUBJECT TO CHANGE AND THE CONTROLLING ENGINEERING ORGANIZATION SHOULD BE CONTACTED FOR THE LATEST REVISION.	MATERIAL COPPER ASTM B-152	FINISH SEE TABLE	APPLICATION SPEC ---	SIZE A3	CAGE CODE 00779	DRAWING NO C-35187	RESTRICTED TO ---	
					WEIGHT ---	CUSTOMER DRAWING		SCALE 2:1	SHEET 1 OF 1	REV F5

## X-ON Electronics

Largest Supplier of Electrical and Electronic Components

*Click to view similar products for [Terminals](#) category:*

*Click to view products by [TE Connectivity](#) manufacturer:*

Other Similar products are found below :

[HT-13-10](#) [71M-250-32-NB](#) [01-2065-1-0216](#) [00581P0075](#) [M10-10RX](#) [M10BCK](#) [60205-1](#) [604200-1](#) [60598-1-CUT-TAPE](#) [60617-1-C](#) [60873-1](#) [M14-516R/SK](#) [M14-6RSX](#) [M18-10FLX](#) [M18-8FBX](#) [M18-8R/LX](#) [M18BCK](#) [61314-6-C](#) [61-S](#) [61-SN-A](#) [62-NBM-A](#) [63-S](#) [640179-1](#) [640917-2-CUT-TAPE](#) [6501550002](#) [66107-2-C](#) [66107-4-C](#) [696683-1](#) [696834-1](#) [696861-1](#) [696931-1](#) [696999-1](#) [M8-516RK](#) [M86700006](#) [MA250DMFMX-A](#) [701-2007](#) [701-2307](#) [701-7761-03](#) [70F-110-32-PB](#) [718-N-A](#) [71M-187-20-NBL](#) [71M-250-32-NBL](#) [72F-187-20-NBL](#) [72M-250-32-NBL](#) [7310](#) [73F-250-32](#) [73F-250-32-NBL](#) [73F-250-32-NL](#) [F14-10C](#) [F-1M](#)