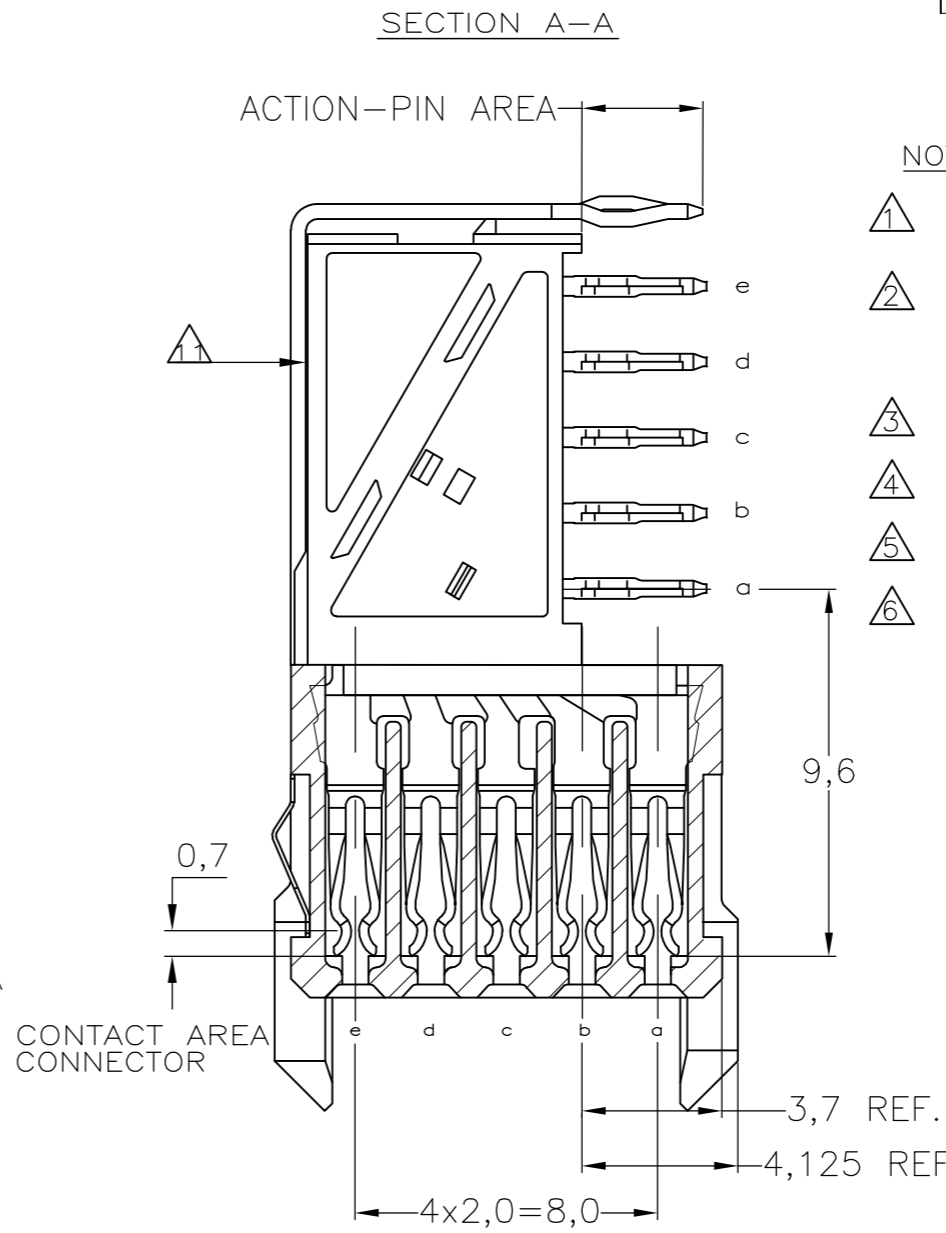
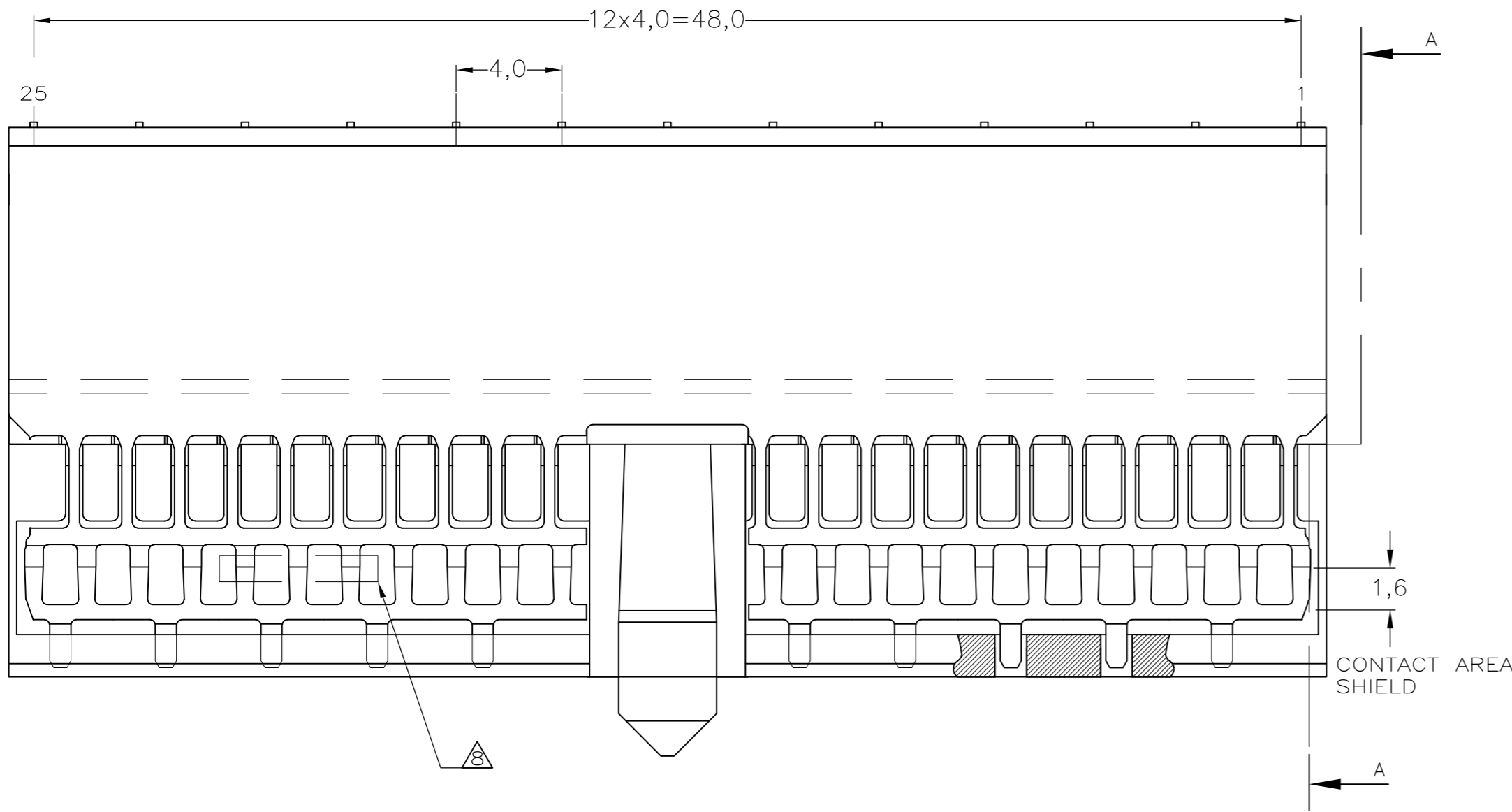
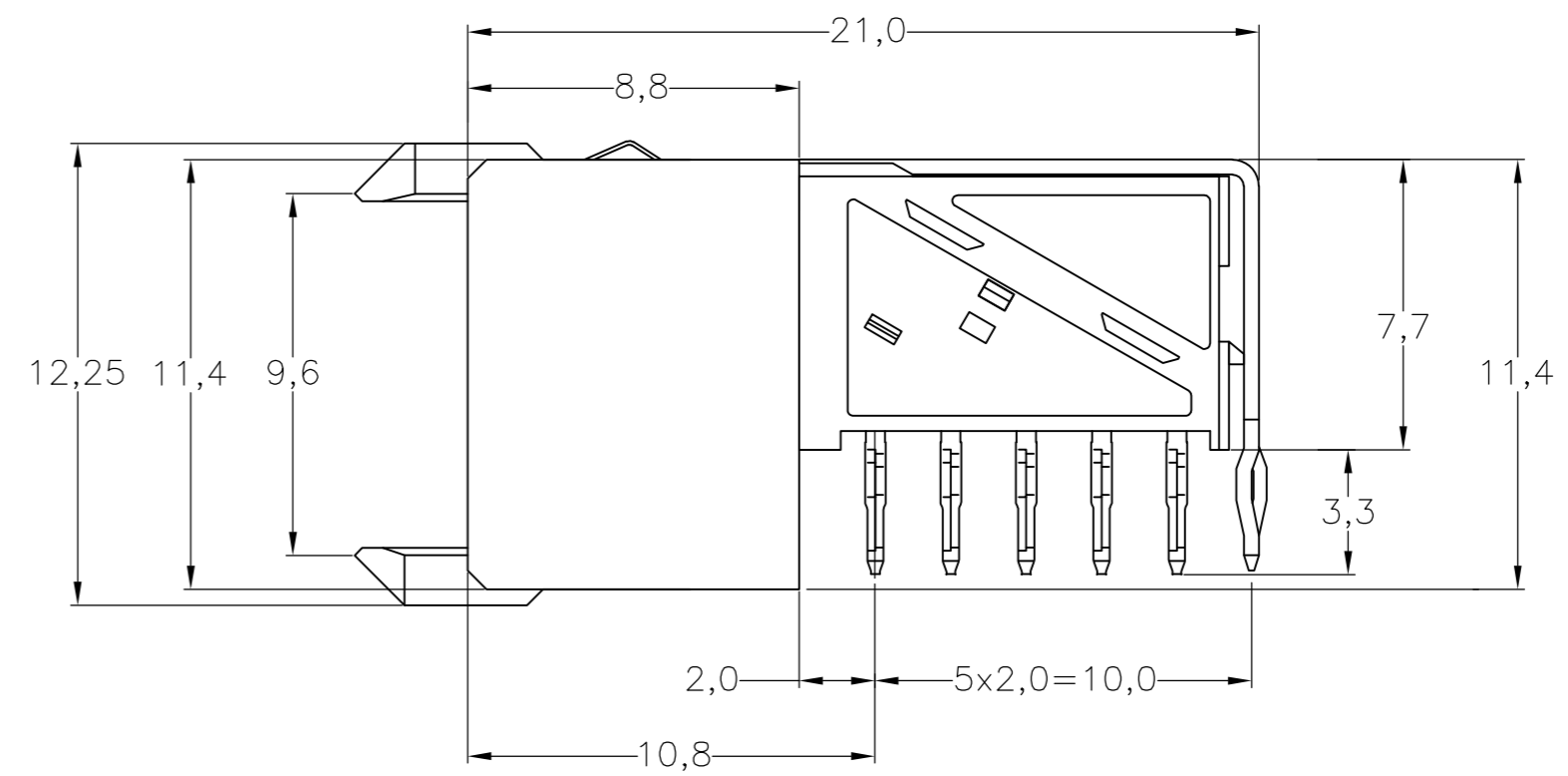
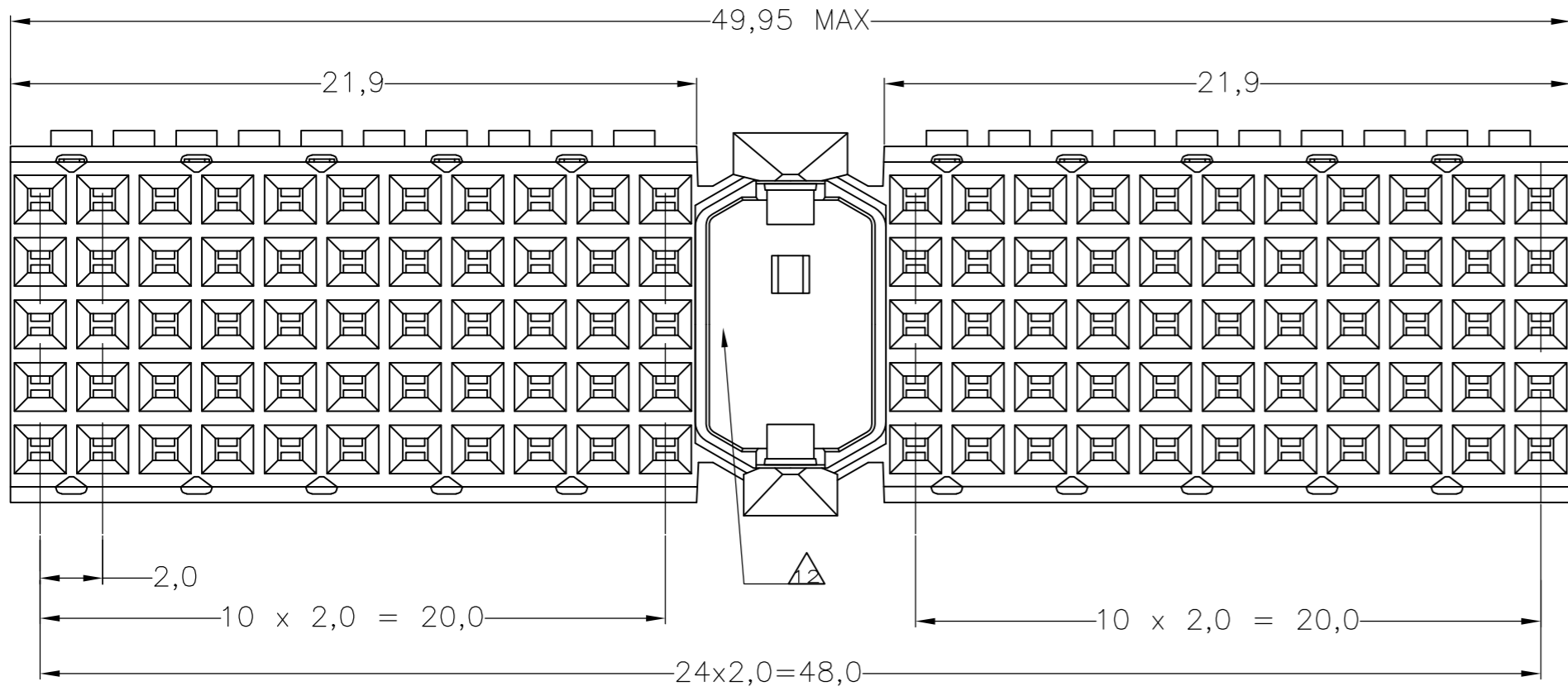


THIS DRAWING IS UNPUBLISHED. RELEASED FOR PUBLICATION  
 © COPYRIGHT - By - ALL RIGHTS RESERVED.

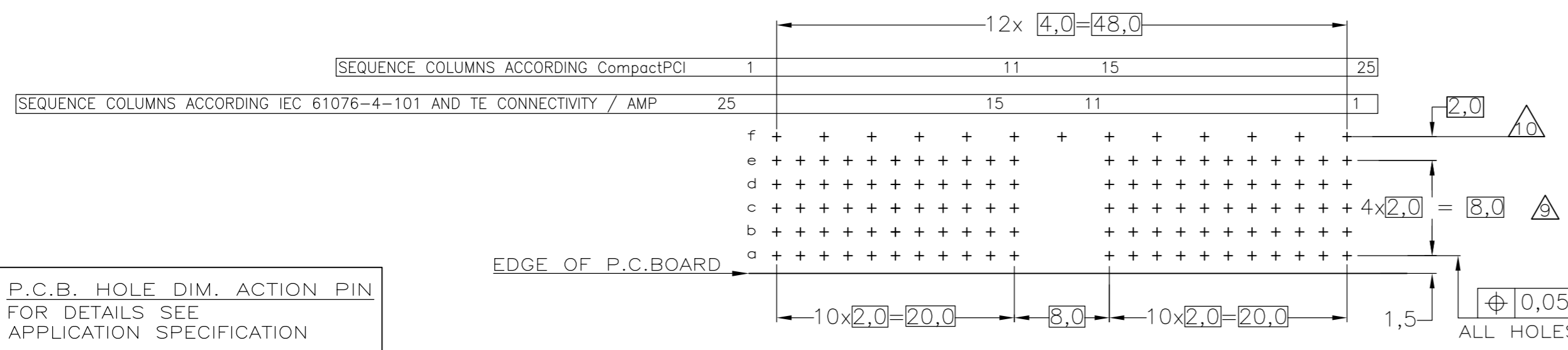
REVISIONS					
P	LTR	DESCRIPTION	DATE	DWN	APVD
N		ECR-16-013251	12JUL2017	FL	SY



- NOTES:
- 1 MATERIAL CONTACTS; PHOSPHORBRONZE
  - 2 MATERIAL HOUSING; GLASSFILLED POLYESTER (GRAY)
  - 3 GENERAL PLATING SPECIFICATION: UNDERPLATING (ENTIRE CONTACT): 1,27µm NICKEL MIN. AND ACTION PIN: 0,5µm TIN-LEAD MIN. FOR PLATING OF MATING SURFACES SEE APPLICABLE SPECIFICATION REFERENCE FOR EACH DASH NUMBER.
  - 4 CONFORMS TO ALL TESTING ACCORDING IEC 61076-4-101 PERFORMANCE LEVEL 2.
  - 5 CONFORMS TO ALL TESTING ACCORDING IEC 61076-4-101 PERFORMANCE LEVEL 1.
  - 6 CONNECTOR TESTED AND QUALIFIED AGAINST TELCORDIA GR-1217-CORE QUALITY LEVEL III, CENTRAL OFFICE APPLICATIONS.
  - 7 CONNECTOR LUBRICATED WITH TELCORDIA GR-1217-CORE APPROVED LUBRICANT.
  - 8 ASSEMBLY PRINTED WITH P/N AND DATECODE THE MARKING CAN APPEAR ON THE FRONT SIDE OR BACK SIDE.
  - 9 HOLE PATTERN FOR FEMALE CONNECTOR TYPE A 110 PLATED-THROUGH HOLES AT 2x2mm SQUARE GRID
  - 10 ROW "f" 13 PLATED THROUGH HOLES FOR UPPERSHIELD
  - 11 SHIELD MOUNTED ON CONNECTOR WITH DOUBLE SIDED ADHESIVE TAPE OR ADHESIVE
  - 12 AREA RESERVED FOR KEYING PART (BASIC P.N. 100526)
  - 13 BASIC P.N. LOWERSHIELD: 338108
  - 14 0.76µm MIN GOLD PLATING AT MATING SURFACES.



COMPONENT SIDE AS SHOWN  
 RECOMMENDED PCB-HOLE LAY-OUT  
 SCALE 2,5:1



P.C.B. HOLE DIM. ACTION PIN  
 FOR DETAILS SEE  
 APPLICATION SPECIFICATION

OBSOLETE	2 3 4		3-352068-0
OBSOLETE	2 3 4		352068-9
	2 3 4		352068-4
	2 3		352068-1
	FINISH	MATERIAL	PARTNUMBER

THIS DRAWING IS A CONTROLLED DOCUMENT.

DWN: D. TRUREN 20JAN97  
 CHK: -  
 APVD: -  
 PRODUCT SPEC: 108-19082  
 APPLICATION SPEC: 114-19029  
 WEIGHT: 0.000000

MATERIAL: - FINISH: -

**TE** TE Connectivity

Z-PACK 2MM HM  
 TYPE A - 25 COLUMNS  
 PRE-SHIELDED RECEPTACLE

SIZE: A2 CAGE CODE: 00779 DRAWING NO: C=352068 RESTRICTED TO: -  
 CUSTOMER DRAWING SCALE: NTS SHEET: 1 of 1 REV: N

## X-ON Electronics

Largest Supplier of Electrical and Electronic Components

*Click to view similar products for [Hard Metric Connectors](#) category:*

*Click to view products by [TE Connectivity](#) manufacturer:*

Other Similar products are found below :

[6345127-1](#) [646916-9](#) [6469658-1](#) [973108](#) [1-2000713-0](#) [1-2000713-2](#) [1-2000713-3](#) [1645343-1](#) [1645456-1](#) [1645594-1](#) [1645595-1](#) [1645601-1](#)  
[1934822-1](#) [278071110010833](#) [1645179-1](#) [1645245-1](#) [1645457-1](#) [1645525-1](#) [1645570-1](#) [1645596-1](#) [17041102202](#) [1857470-1](#) [1934275-1](#)  
[1934289-1](#) [1934759-1](#) [2000673-1](#) [2170292-2](#) [2-536642-6](#) [3-106015-1](#) [352188-1](#) [352629-1](#) [5120823-1](#) [5120899-1](#) [3-100145-0](#) [3-100147-0](#)  
[3-100669-1](#) [3-106081-0](#) [HM2DK2368PLF](#) [5646530-1](#) [3-352049-0](#) [3-352069-0](#) [3-352115-0](#) [3-352638-0](#) [352189-1](#) [3-646357-0](#) [3-646487-0](#)  
[3-646513-0](#) [106726-1](#) [114352](#) [114619](#)