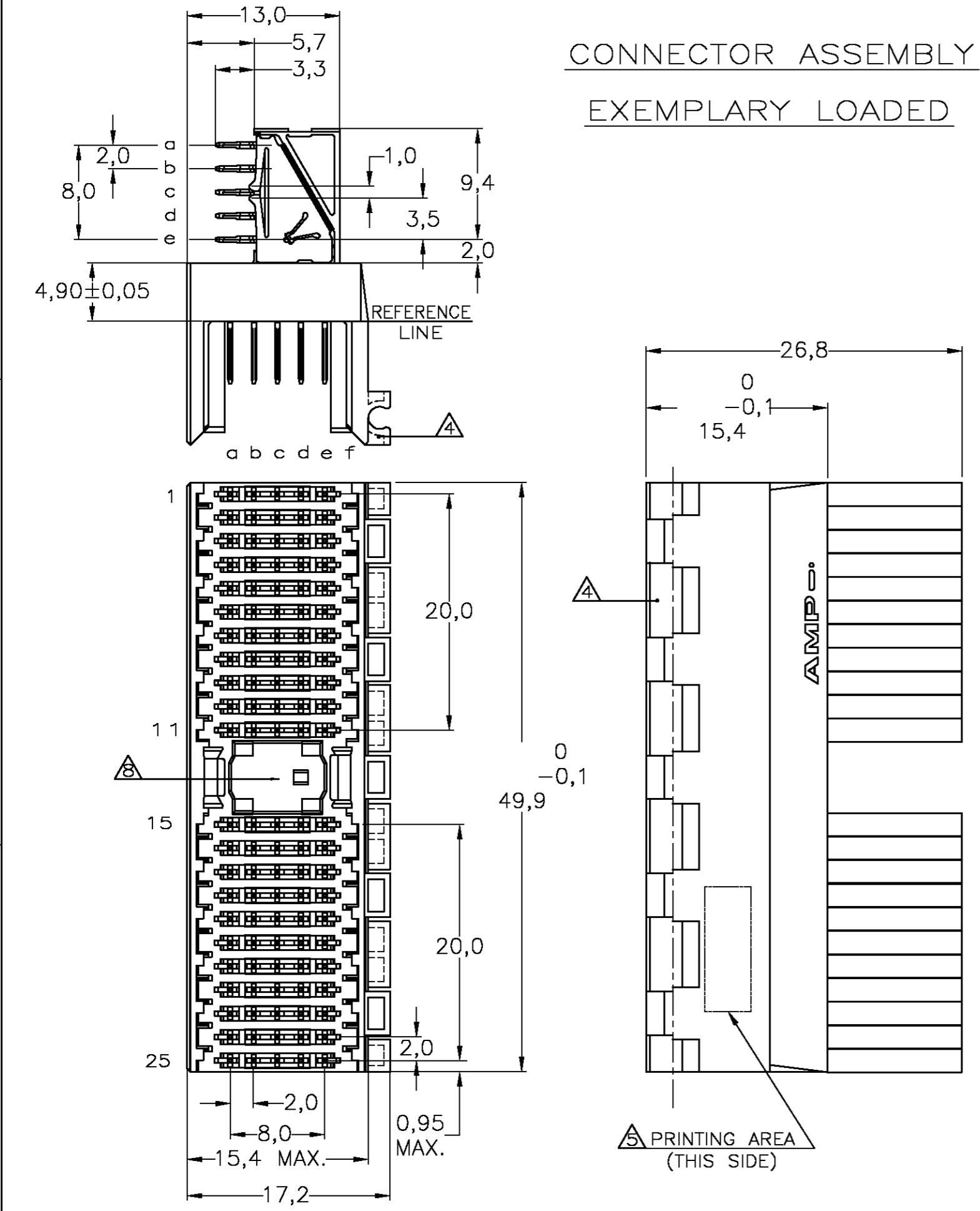
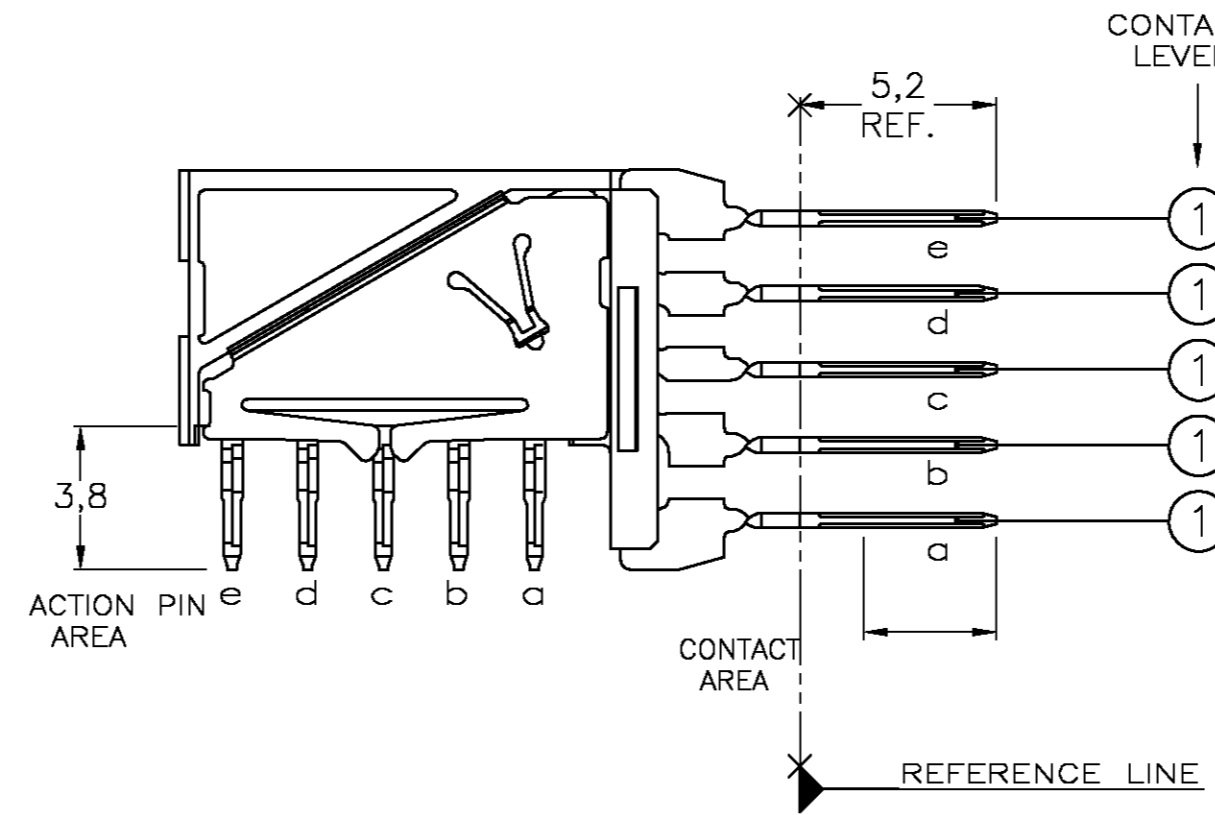


THIS DRAWING IS UNPUBLISHED. RELEASED FOR PUBLICATION
 © COPYRIGHT BY TYCO ELECTRONICS CORPORATION. ALL RIGHTS RESERVED.

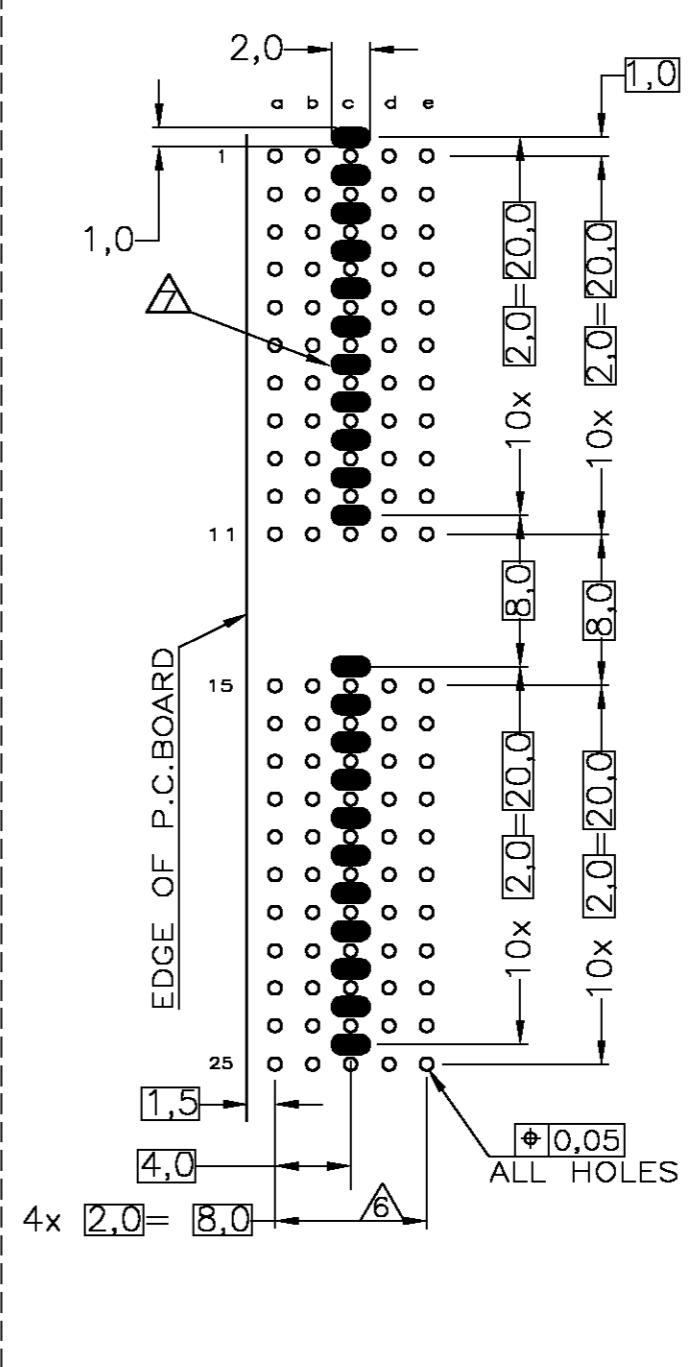


CONTACT DIMENSIONS



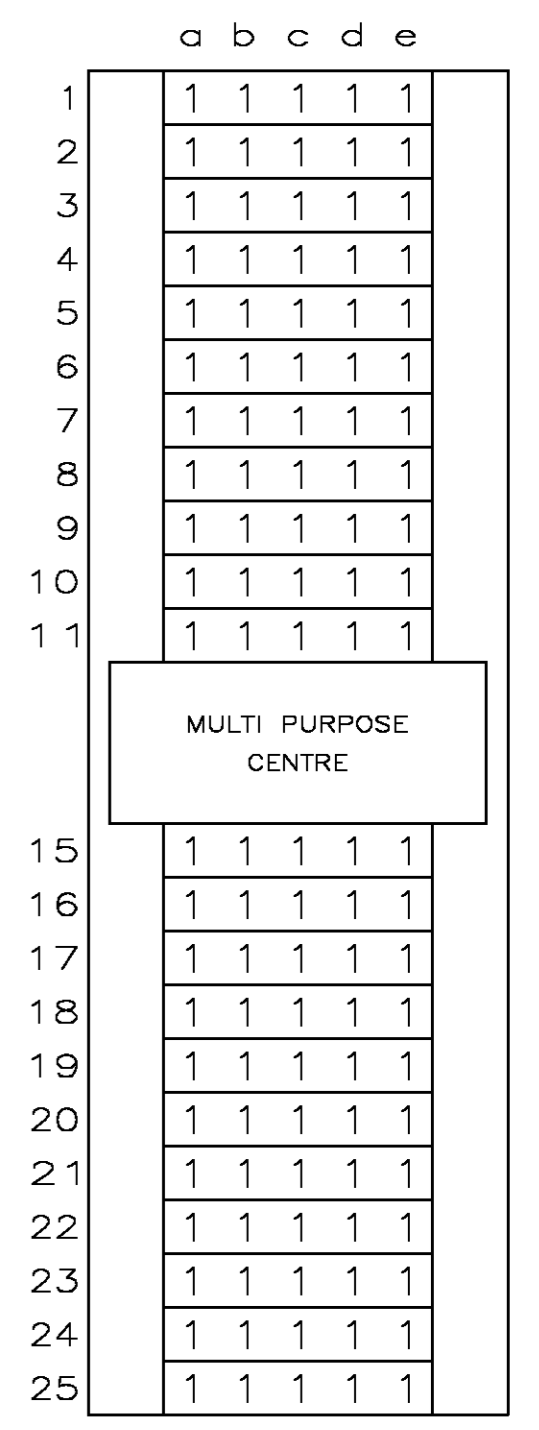
Loc	DIST	REVISIONS			
P	LTR	DESCRIPTION	DATE	DWN	APVD
D		EH10-0680-05	06-06-05	BSV	BM
D1		ECR-06-002635	07-02-06	BSV	BM
E		ECR-06-026577	14-11-06	BSV	BM

RECOMMENDED PCB-HOLE LAY-OUT COMPONENT SIDE SHOWN



P.C.B. HOLE DIM. ACTION PIN
FOR DETAILS SEE APPLICATION SPECIFICATION

CONTACT LAYOUT



- NOTES:**
- ▲ MATERIAL HOUSING: GREY GLASSFILLED POLYESTER
UL-RATING V0
CONTACT: PHOSPHORBRONZE
 - ▲ GENERAL CONTACT PLATING SPECIFICATION: UNDERPLATING (ENTIRE CONTACT):
1,27µm NICKEL MIN. AND ACTION PIN: 0,5µm TIN-LEAD MIN.
FOR PLATING OF MATING SURFACES SEE APPLICABLE SPECIFICATION
REFERENCE FOR EACH DASH NUMBER.
REDUCED CROSS-TALK SHIELD: GOLD FLASH OVER 1,27µm NICKEL MIN.
 - ▲ CONFORMS TO ALL TESTING ACCORDING IEC 61076-4-101
PERFORMANCE LEVEL 2.
 - ▲ CONNECTOR ASSEMBLY WITH LATCH HINGE FOR CABLE CONNECTOR.
 - ▲ CONNECTOR PRINTED WITH PARTNUMBER AND DATECODE
 - ▲ PLATED-THROUGH HOLES AT 2x2mm SQUARE GRID.
 - ▲ PLATED SPOT ONLY ON COMPONENT SIDE, FORMING ONE CONTACT
WITH PLATED THROUGH HOLES OF ROW C
 - ▲ AREA FOR KEYING PART (BASIC PART NUMBER 100525).

CONTACT FINISH	MATERIAL	1-352271-1
		352271-1

THIS DRAWING IS A CONTROLLED DOCUMENT.		DWN 12FEB98 L.V.D.HEIJDEN	Tyco Electronics Corporation s-Hertogenbosch, Netherlands,	
DIMENSIONS: mm		CHK 12FEB98 D.TRUREN	NAME	
TOLERANCES UNLESS OTHERWISE SPECIFIED:		APVD - F.V.KONINGSBRUGGE	PRODUCT SPEC	
0 PLC ± -		108-19082	APPLICATION SPEC	
1 PLC ± -		114-19029	SIZE CAGE CODE DRAWING NO	
2 PLC ± -		WEIGHT -	A2 00779 C=352271	
3 PLC ± -		CUSTOMER DRAWING	RESTRICTED TO	
4 PLC ± -			SCALE NTS SHEET 1 OF 1 REV E	
ANGLES ± -				
FINISH -				

X-ON Electronics

Largest Supplier of Electrical and Electronic Components

Click to view similar products for [Hard Metric Connectors](#) category:

Click to view products by [TE Connectivity](#) manufacturer:

Other Similar products are found below :

[6345127-1](#) [646916-9](#) [6469658-1](#) [973108](#) [1-2000713-0](#) [1-2000713-2](#) [1-2000713-3](#) [1645343-1](#) [1645456-1](#) [1645594-1](#) [1645595-1](#) [1645601-1](#)
[1934822-1](#) [278071110010833](#) [1645179-1](#) [1645245-1](#) [1645457-1](#) [1645525-1](#) [1645570-1](#) [1645596-1](#) [17041102202](#) [1857470-1](#) [1934275-1](#)
[1934289-1](#) [1934759-1](#) [2000673-1](#) [2170292-2](#) [2-536642-6](#) [3-106015-1](#) [352188-1](#) [352629-1](#) [5120823-1](#) [5120899-1](#) [3-100145-0](#) [3-100147-0](#)
[3-100669-1](#) [3-106081-0](#) [HM2DK2368PLF](#) [5646530-1](#) [3-352049-0](#) [3-352069-0](#) [3-352115-0](#) [3-352638-0](#) [352189-1](#) [3-646357-0](#) [3-646487-0](#)
[3-646513-0](#) [106726-1](#) [114352](#) [114619](#)