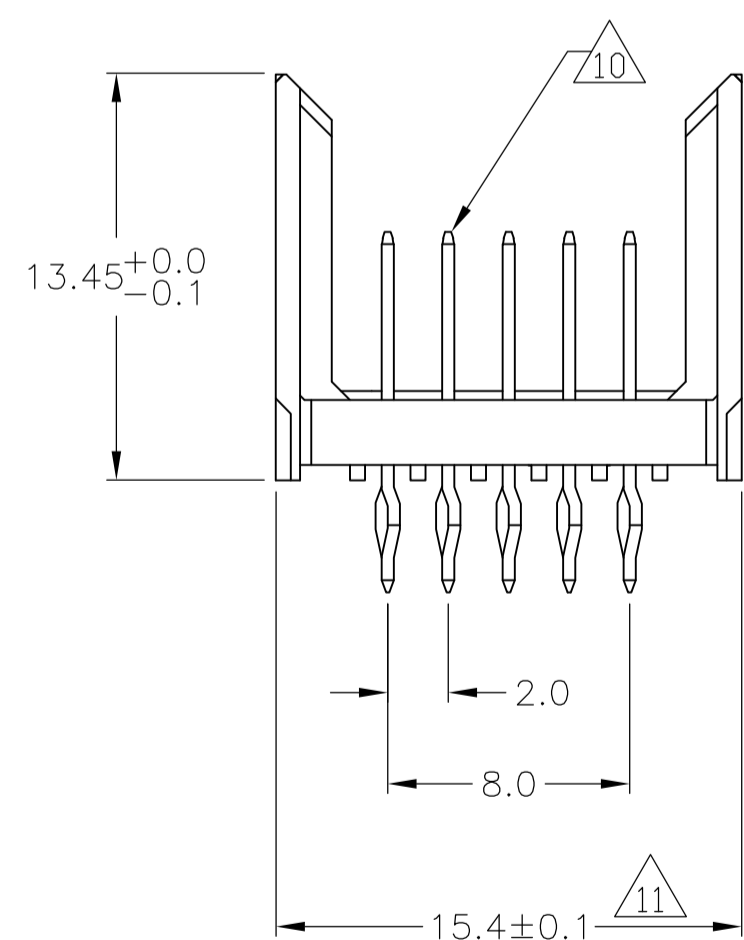
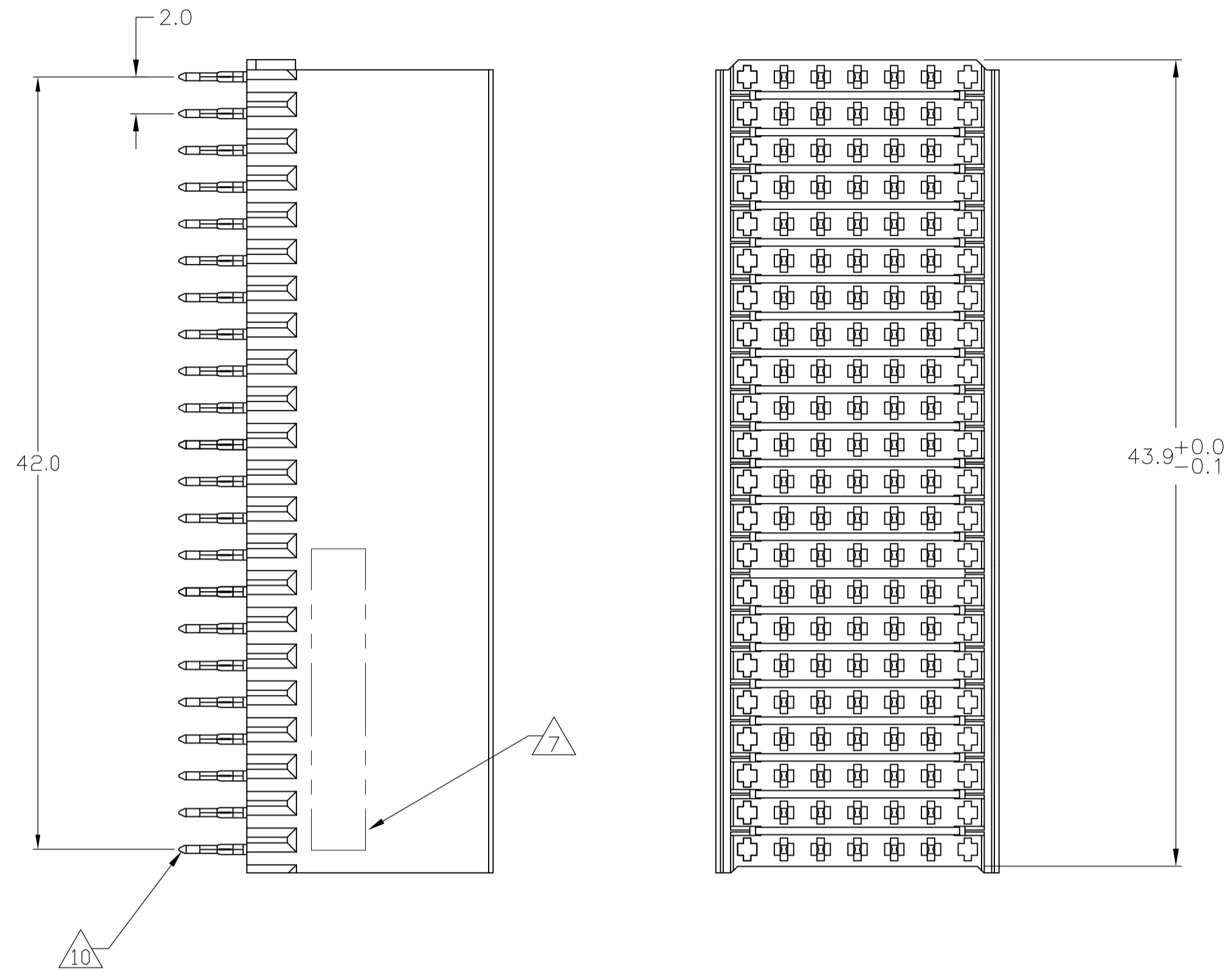
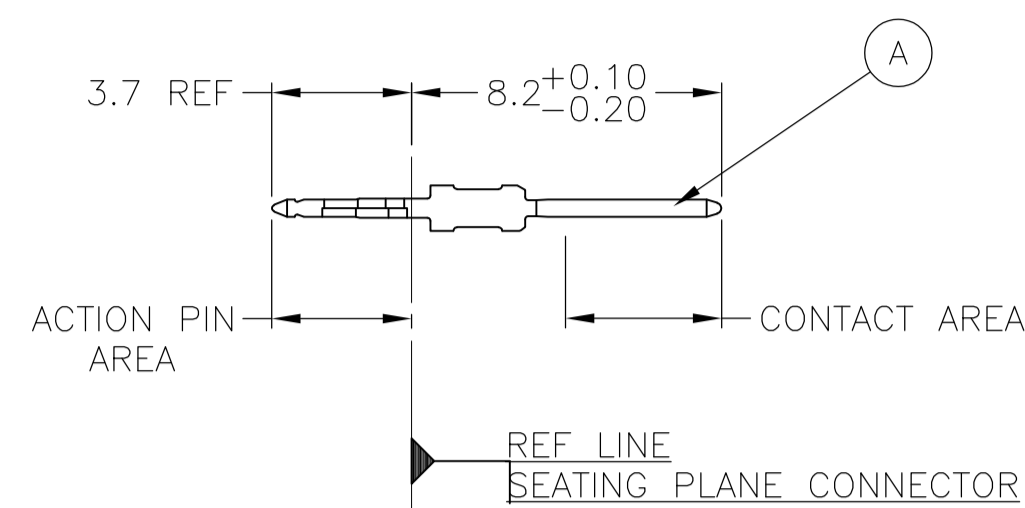


CONNECTOR ASSEMBLY EXAMPLARY LOADED



CONTACT DIMENSIONS SCALE 5:1



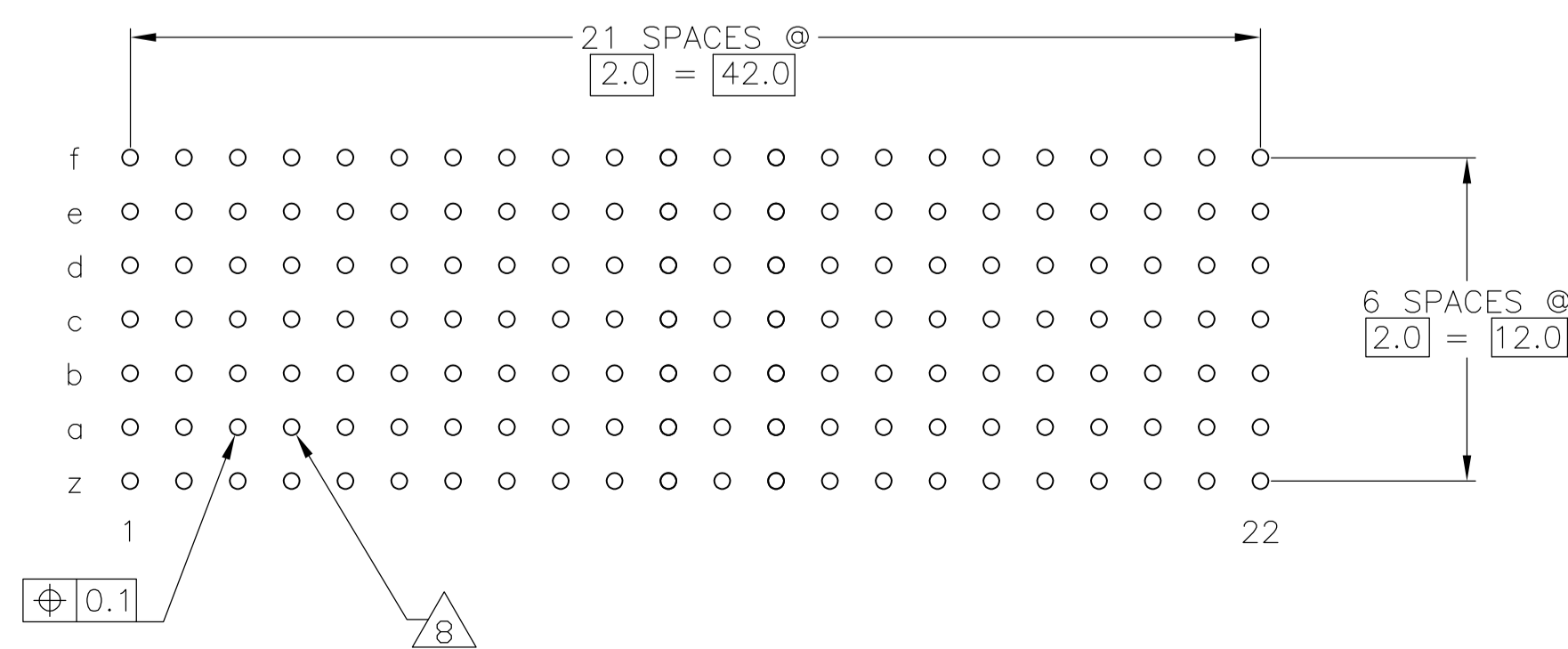
CONTACT LAYOUT

| | z | a | b | c | d | e | f |
|----|---|---|---|---|---|---|---|
| 1 | | A | A | A | A | A | |
| 2 | | A | A | A | A | A | |
| 3 | | A | A | A | A | A | |
| 4 | | A | A | A | A | A | |
| 5 | | A | A | A | A | A | |
| 6 | | A | A | A | A | A | |
| 7 | | A | A | A | A | A | |
| 8 | | A | A | A | A | A | |
| 9 | | A | A | A | A | A | |
| 10 | | A | A | A | A | A | |
| 11 | | A | A | A | A | A | |
| 12 | | A | A | A | A | A | |
| 13 | | A | A | A | A | A | |
| 14 | | A | A | A | A | A | |
| 15 | | A | A | A | A | A | |
| 16 | | A | A | A | A | A | |
| 17 | | A | A | A | A | A | |
| 18 | | A | A | A | A | A | |
| 19 | | A | A | A | A | A | |
| 20 | | A | A | A | A | A | |
| 21 | | A | A | A | A | A | |
| 22 | | A | A | A | A | A | |

RECOMMENDED PCB-HOLE LAYOUT COMPONENT SIDE SHOWN

PLATED THRU HOLES PARAMETERS

REFERENCE APPLICATION SPECIFICATION



| FINISH | PART NUMBER |
|----------|-------------|
| 2 | 3-352639-0 |
| 2 | 1-352639-9 |
| 2 | 352639-9 |
| 2 | 352639-4 |
| 2 | 352639-1 |
| OBSELETE | |

| | | | | |
|--|-----------|---------------------------|---|--------------|
| THIS DRAWING IS A CONTROLLED DOCUMENT. | | DIN B CARBO 01SEP05 | Tyco Electronics Corporation Harrisburg, Pa 17105-3608 | |
| DIMENSIONS: mm | | 01SEP05 | Tyco Electronics | |
| TOLERANCES UNLESS OTHERWISE SPECIFIED: | | APVD G SKIPPER 01SEP05 | NAME | |
| 0-PLC ± | ±0.2 | 108-19082 | | |
| 1-PLC ±0.1 | | APPLICATION SPEC | | |
| 2-PLC ± | | 114-19029 | | |
| 3-PLC ± | | SIZE CAGE CODE DRAWING NO | | |
| 4-PLC ± | | A1 00779 C=352639 | | |
| ANGLES | | RESTRICTED TO | | |
| MATERIAL 1 | SEE TABLE | CUSTOMER DRAWING | | |
| | | SCALE 4:1 | | SHEET 1 OF 2 |

THIS DRAWING IS UNPUBLISHED. RELEASED FOR PUBLICATION
 © COPYRIGHT BY TYCO ELECTRONICS CORPORATION. ALL RIGHTS RESERVED.

| LOC | | DIST | | REVISIONS | | | |
|-----|-----|-------------|------|-----------|------|---|---|
| P | LTR | DESCRIPTION | DATE | DN | APVD | | |
| AD | 00 | SEE SHEET 1 | - | - | - | - | - |

- 1 MATERIAL:
CONTACT: PHOSPHOR BRONZE.
HOUSING: GLASS-FILLED POLYESTER.
- 2 GENERAL PLATING SPECIFICATION: UNDERPLATING
(ENTIRE CONTACT): 1.27µm MIN NICKEL AND ACTION
PIN: 0.5µm MIN TIN/LEAD.
FOR PLATING OF MATING SURFACES SEE APPLICABLE
SPECIFICATION REFERENCE FOR EACH DASH NUMBER.
- 3 CONFORMS TO ALL TESTING ACCORDING TO IEC 61076-4-101
PERFORMANCE LEVEL 2.
- 4 CONFORMS TO ALL TESTING ACCORDING TO IEC 61076-4-101
PERFORMANCE LEVEL 1.
- 5 CONNECTOR TESTED AND QUALIFIED AGAINST TELCORDIA GR-1217-CORE QUALITY LEVEL 3,
CENTRAL OFFICE APPLICATIONS.
- 6 CONNECTOR TESTED AND QUALIFIED AGAINST TELCORDIA GR-1217-CORE QUALITY LEVEL 3,
UNCONTROLLED ENVIROMENT APPLICATIONS.
- 7 CONNECTOR MARKED WITH PART NUMBER AND DATE CODE.
ADDITIONAL CHARACTERS OR MARKINGS, AS WELL AS THE LOCATION OF THE MARKINGS,
MAY BE ADDED FOR TRACEABILITY BASED UPON MANUFACTURERS DISCRETION.
- 8 PLATED-THROUGH HOLES AT 2x2mm SQUARE GRID
PATTERN DEFINED BY CONTACT LAYOUT.
- 9 FOR ACTUAL PIN LOADING SEE "CONTACT LAYOUT".
- 10 FOR ACTUAL PIN DIMENSIONS SEE "CONTACT DIMENSIONS".
- 11 TO BE MEASURED AT BOTTOM OF SHROUD.
- 12 CONNECTOR LUBRICATED WITH BELCORE APPROVED LUBRICANT,
TECHNICAL REFERENCE: TR-NWT-001217 ISSUE 1, SEP 1992.
- 13 0.76 µm MIN COLD PLATING AT MATING SURFACE.

| | | | | |
|--|--|------------------------------|---|------------------------|
| THIS DRAWING IS A CONTROLLED DOCUMENT. | | DIN B CARBO 01SEP05 | Tyco Electronics Corporation Harrisburg, Pa 17105-3608 | |
| DIMENSIONS: mm | | CIK G SKIPPER 01SEP05 | NAME MALE ASSEMBLY, Z-PACK 2mm HM, TYPE B | |
| TOLERANCES UNLESS OTHERWISE SPECIFIED: 0-PLC ± 1-PLC ±0.1 2-PLC ± 3-PLC ± 4-PLC ± ANGLES ± | | APVD G SKIPPER 01SEP05 | PRODUCT SPEC 108-19082 | |
| MATERIAL SEE SHEET 1 | | FINISH SEE SHEET 1 | APPLICATION SPEC 114-19029 | RESTRICTED TO - |
| WEIGHT - | | SIZE A1 | CAGE CODE 00779 | DRAWING NO C=352639 |
| CUSTOMER DRAWING | | SCALE 4:1 | SHEET 2 | OF 2 |
| | | REV E | | |

X-ON Electronics

Largest Supplier of Electrical and Electronic Components

Click to view similar products for [Hard Metric Connectors](#) category:

Click to view products by [TE Connectivity](#) manufacturer:

Other Similar products are found below :

[10146110-VR5C](#) [6345127-1](#) [646916-9](#) [6469658-1](#) [853016](#) [973108](#) [1-2000713-0](#) [1-2000713-2](#) [1-2000713-3](#) [120646-1](#) [134187](#) [1645343-1](#)
[1645456-1](#) [1645564-3](#) [1645594-1](#) [1645601-1](#) [1934822-1](#) [2000829-2](#) [2000985-2](#) [223085-1](#) [278071110010833](#) [1645179-1](#) [1645245-1](#)
[1645457-1](#) [1645525-1](#) [1645570-1](#) [1645596-1](#) [17-8072-125-000-863+](#) [1857470-1](#) [1934275-1](#) [1934289-1](#) [1934759-1](#) [2000670-2](#) [2000673-1](#)
[2000843-2](#) [2000984-2](#) [204975](#) [2170292-2](#) [2-536642-6](#) [3-100668-0](#) [3-106015-1](#) [352188-1](#) [352629-1](#) [3-646346-0](#) [3-646356-0](#) [3-646457-0](#) [3-646529-0](#) [3-646530-0](#) [5120823-1](#) [5120899-1](#)