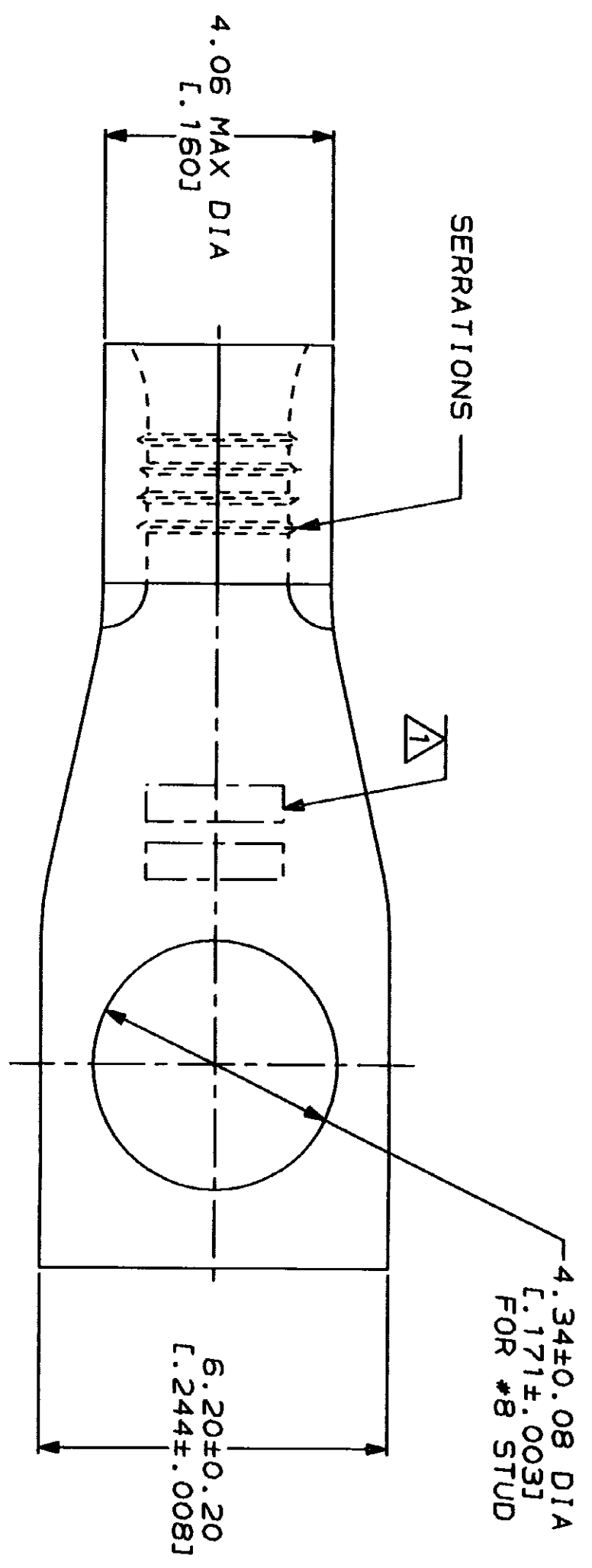


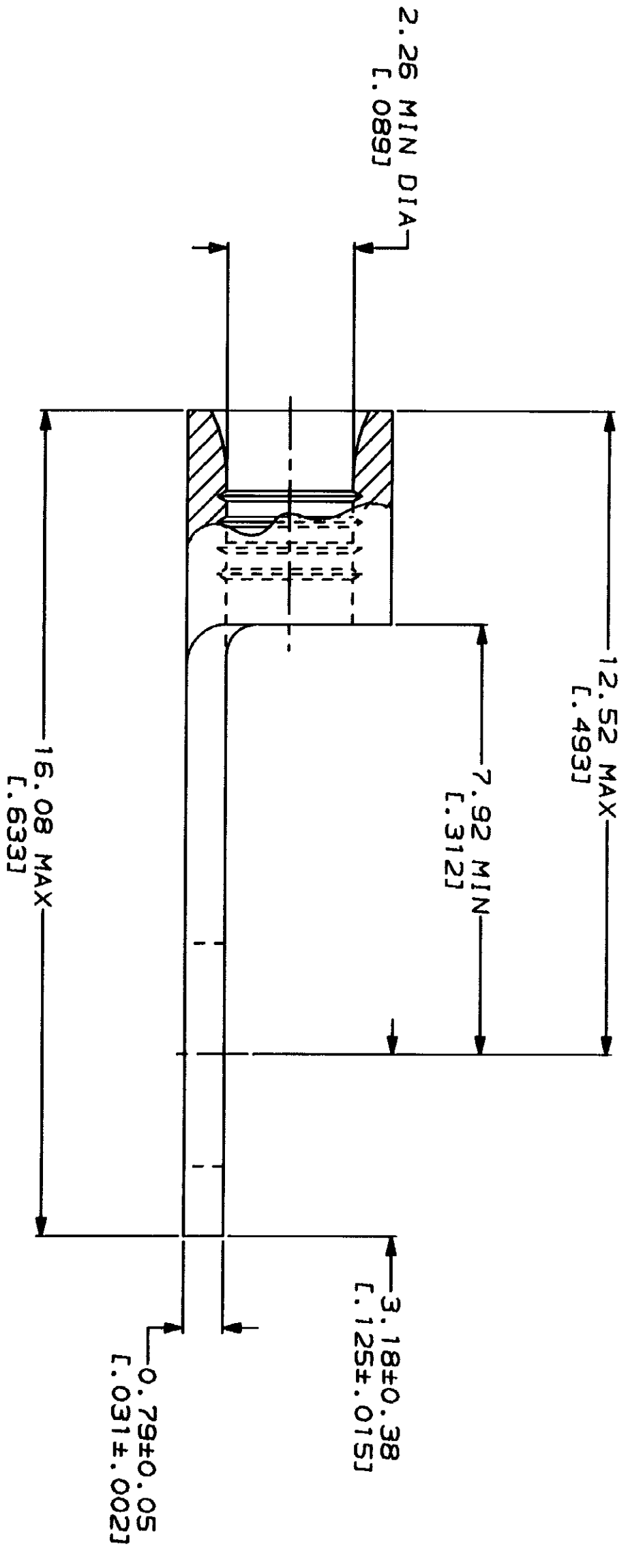
LOC	DIST	ZONE	LTR	REVISIONS	DESCRIPTION	DATE	APPD
G	14			D	REVISED PER 0720-0230-93	2/28/94	gdp

METRIC
 DIMENSIONS LISTED IN mm (INCHES)



AMP WIRE RANGE	UL E13288 Listed
16-14 AWG STRANDED	16-14 AWG STRANDED
LR7189 Certified	MILITARY P/N AND CLASS
NOT CERTIFIED	NOT APPLICABLE

△ STAMP AMP 16-14* APPROX AS SHOWN



AMP INCORPORATED
 CUSTOMER SERVICE SYSTEMS

FOR ADDITIONAL PRODUCT INFORMATION OR COPIES OF DRAWINGS AND TECHNICAL DOCUMENTS
 1-800-522-6752

FOR APPLICATION TOOLING INFORMATION
 1-800-722-1111

FOR ORDER ENTRY
 1-800-526-5142

MAX RECOMMENDED OPERATING TEMPERATURE:
 170°C MAX

VOLTAGE RATING:
 NOT APPLICABLE

WIRE CROSS SECTIONAL AREA RANGE:
 1.04-2.62mm² (2,050-5,180) CIR MILS STRANDED

DO NOT SCALE PRINT.
 UNLESS SPECIFIED OTHERWISE
 DIMENSIONS IN MILLIMETERS
 TOLERANCES ON:
 1 PLG DEC ±
 2 PLG DEC ±
 3 PLG DEC ±
 ANGLES ±

MATERIAL
 COPPER PER ASTM B-152 ANNEALED

FINISH
 TIN PLATE
 0.00254L.0001001 MIN THK PER MIL-T-10727

DR 1-28-93
 TA BRINKMAN

CHK 1-28-93
 DA PATTERSON

APPD 1-28-93
 DE MILLER

APPD 1-28-93
 JL HECKLEY

PRODUCT SPEC

APPLICATION SPEC

WEIGHT

AMP
 AMP Incorporated
 Harrisburg, PA 17105-3608

TERMINAL, RECTANGULAR
 TONGUE, BUDGET

SIZE CAGE CODE DRAWING NO
 00779 35278

SCALE 10:1

35278
 PART NO

X-ON Electronics

Largest Supplier of Electrical and Electronic Components

Click to view similar products for [Terminals](#) category:

Click to view products by [TE Connectivity](#) manufacturer:

Other Similar products are found below :

[00-054007-01074-6](#) [00-054007-70206-1](#) [00-054007-70210-8](#) [00-054007-70217-7](#) [00-054007-70226-9](#) [00-054007-70228-3](#) [00-054007-70248-1](#) [00-054007-70256-6](#) [00-054007-70301-3](#) [00-054007-70316-7](#) [00-054007-49560-4](#) [00-054007-70209-2](#) [00-054007-70225-2](#) [00-054007-70227-6](#) [00-054007-70231-3](#) [00-054007-70241-2](#) [00-054007-70242-9](#) [00-054007-70244-3](#) [00-054007-70246-7](#) [00-054007-70263-4](#) [00-054007-70288-7](#) [00-054007-70290-0](#) [00-054007-70300-6](#) [00-054007-70304-4](#) [01-2065-1-0216](#) [01-2900-1-04412](#) [00581P0075](#) [600TS-10](#) [60205-1](#) [604200-1](#) [605601-1](#) [60598-1-CUT-TAPE](#) [61314-6-C](#) [61810-3](#) [61-S](#) [61-SN](#) [626-0194](#) [62-NBM-A](#) [62-SN](#) [62-SP](#) [63-S](#) [640179-1](#) [M55155/059I03](#) [M55155/079C01](#) [M55155/099H02](#) [M55155/109H01](#) [M55155/109H02](#) [M55155/12XH05](#) [M55155/16XH02](#) [M55155/29-5S](#)