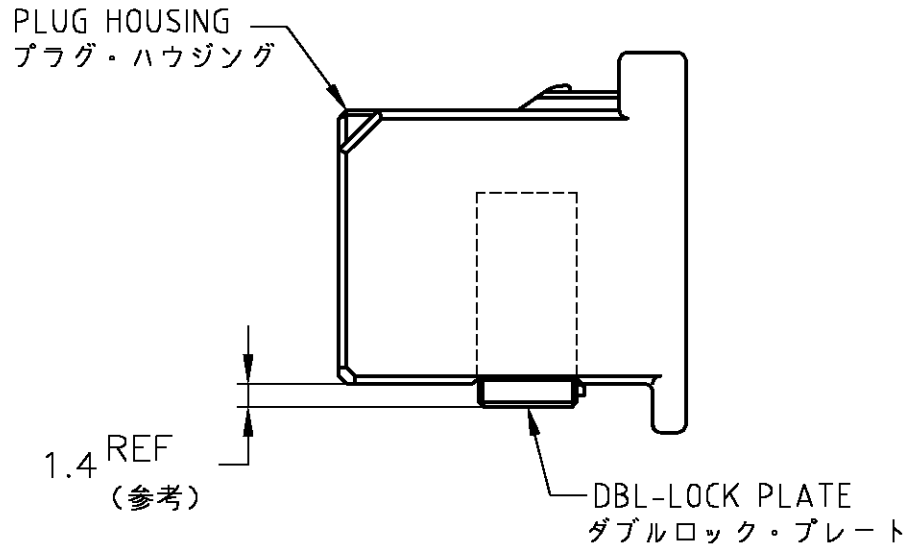
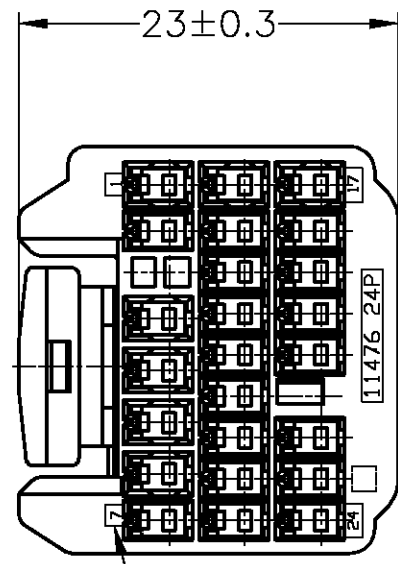
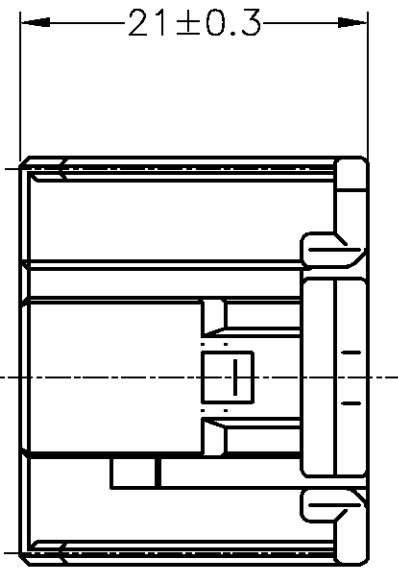
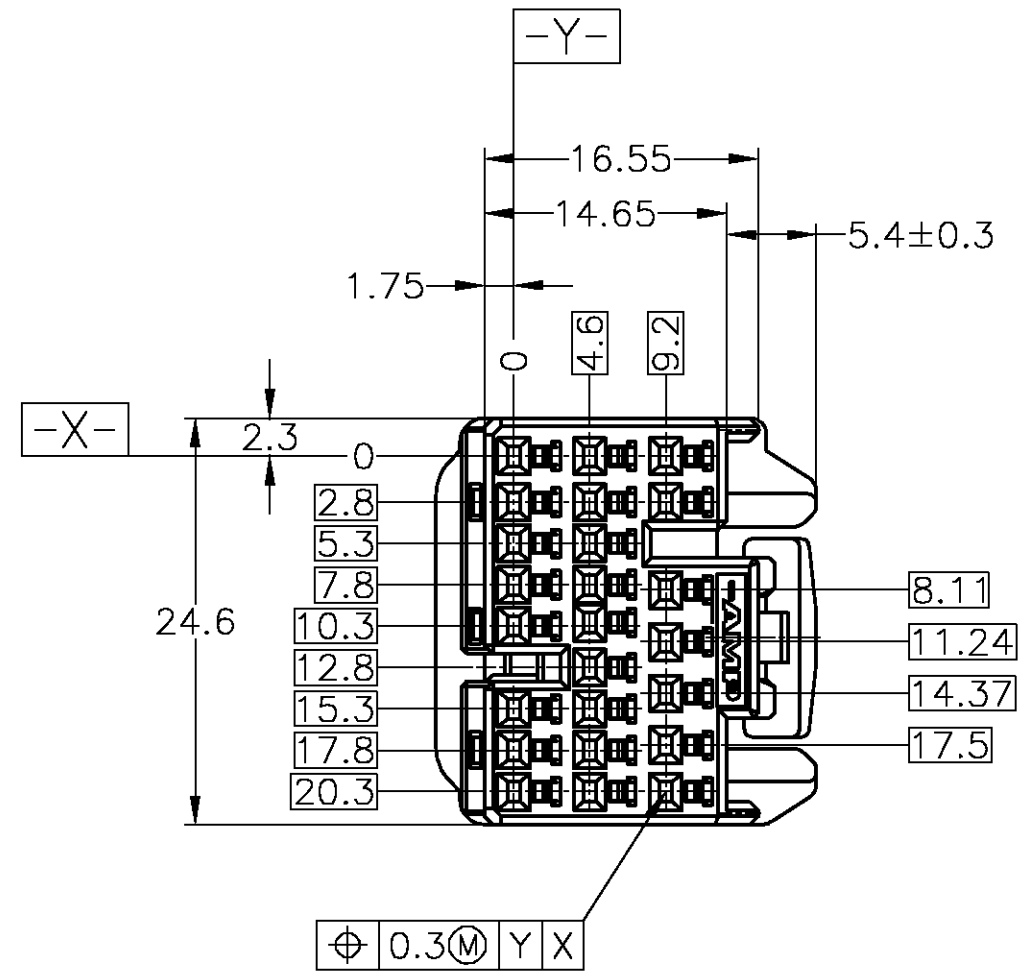


THIS DRAWING IS UNPUBLISHED. RELEASED FOR PUBLICATION
 © COPYRIGHT BY TYCO ELECTRONICS CORPORATION. ALL RIGHTS RESERVED.

LOC	DIST	REVISIONS					
		P	LTR	DESCRIPTION	DATE	DWN	APVD
J	-	B1	REVISED	ECR-06-001254	22MAY06	MS	KB



1. PART NUMBER OF CAP HOUSINGS TO BE MATED: 353015, 353016
 2. DETAILS OF CAVITIES; SEE TABLE-1
1. 嵌合相手ハウジング型番; 353015, 353016
 2. キャビティ構成は、TABLE-1 参照

TABLE-1

CAVITY キャビティ	POSITION 極数	CIRCUIT NUMBER 回路番号	APPLIED CONTACT PART NUMBER 適用端子型番	APPLICABLE WIRE RANGE 適用電線
	17	2,7 9~16 18~24	316836, 316837	AVSS/CAVS 0.3~0.5mm ² CAVUS 0.3~0.5mm ²
	7	1, 3~6, 8,17	316836, 316837 316838	AVS 0.5mm ² AVSS/CAVS 0.85~1.25mm ² CAVUS 1.25mm ²

SEE DRAWING 353029-3	353029-3
BLACK (黒)	353029-2
NATURAL (自然色)	353029-1
COLOR (色)	PART NUMBER (型番)

TOLERANCES UNLESS OTHERWISE SPECIFIED: 一般公差

10 _±	: ±0.2
30 _±	: ±0.25
100 _±	: ±0.3
ANGLE	: ±3°

THIS DRAWING IS A CONTROLLED DOCUMENT.

DIMENSIONS: 単位: 耗 mm	TOLERANCES UNLESS OTHERWISE SPECIFIED: 一般公差	DWN M.SUGAWARA 22MAY06	Tyco Electronics AMP K.K. Kawasaki, Japan												
	<table border="1"> <tr> <td>0 PLC</td> <td>±-</td> </tr> <tr> <td>1 PLC</td> <td>±-</td> </tr> <tr> <td>2 PLC</td> <td>±-</td> </tr> <tr> <td>3 PLC</td> <td>±-</td> </tr> <tr> <td>4 PLC</td> <td>±-</td> </tr> <tr> <td>ANGLES</td> <td>±-</td> </tr> </table>	0 PLC		±-	1 PLC	±-	2 PLC	±-	3 PLC	±-	4 PLC	±-	ANGLES	±-	CHK T.SHINOHARA 22MAY06
		0 PLC	±-												
1 PLC	±-														
2 PLC	±-														
3 PLC	±-														
4 PLC	±-														
ANGLES	±-														
MATERIAL 材料 PBT	FINISH 仕上 -	APVD K.BETSUI 22MAY06	PRODUCT SPEC 製品規格 108-5529												
CUSTOMER DRAWING		APPLICATION SPEC 取付適用規格 114-5217	WEIGHT 5.41g												
		SIZE A3	CAGE CODE 00779												
		DRAWING NO C-353029	RESTRICTED TO -												
		SCALE 尺度 2:1	SHEET 1 OF 1												
		REV B1													

X-ON Electronics

Largest Supplier of Electrical and Electronic Components

Click to view similar products for [Automotive Connectors](#) category:

Click to view products by [TE Connectivity](#) manufacturer:

Other Similar products are found below :

[003-018-000](#) [60403001](#) [60993906-B](#) [M902-2131](#) [M902-2161](#) [M902-2344](#) [72.330.1035.1](#) [73.353.4028.0](#) [F119300-B](#) [F166900](#) [F258300-B](#)
[F358300-B](#) [F407400](#) [F444110](#) [F487000](#) [F509500B-B](#) [827153-1](#) [8N1515-32-24P](#) [9-1326729-8](#) [925474-1](#) [928905-1](#) [964562-4](#) [968782-1](#)
[GT17SA-8DS-HU](#) [98891-1012](#) [98947-1016](#) [12004147](#) [12004475-L](#) [12010290](#) [12010309-B](#) [12015454](#) [12020219-B](#) [12041318-B](#) [12052225-](#)
[L](#) [12052466](#) [12064869](#) [12004327-B](#) [12015308](#) [12015384](#) [12015909](#) [1-21030-1](#) [12041254](#) [12041318](#) [12047946-B](#) [12047957](#) [12047957-L](#)
[12059473](#) [12066261](#) [12110546](#) [12110546-B](#)