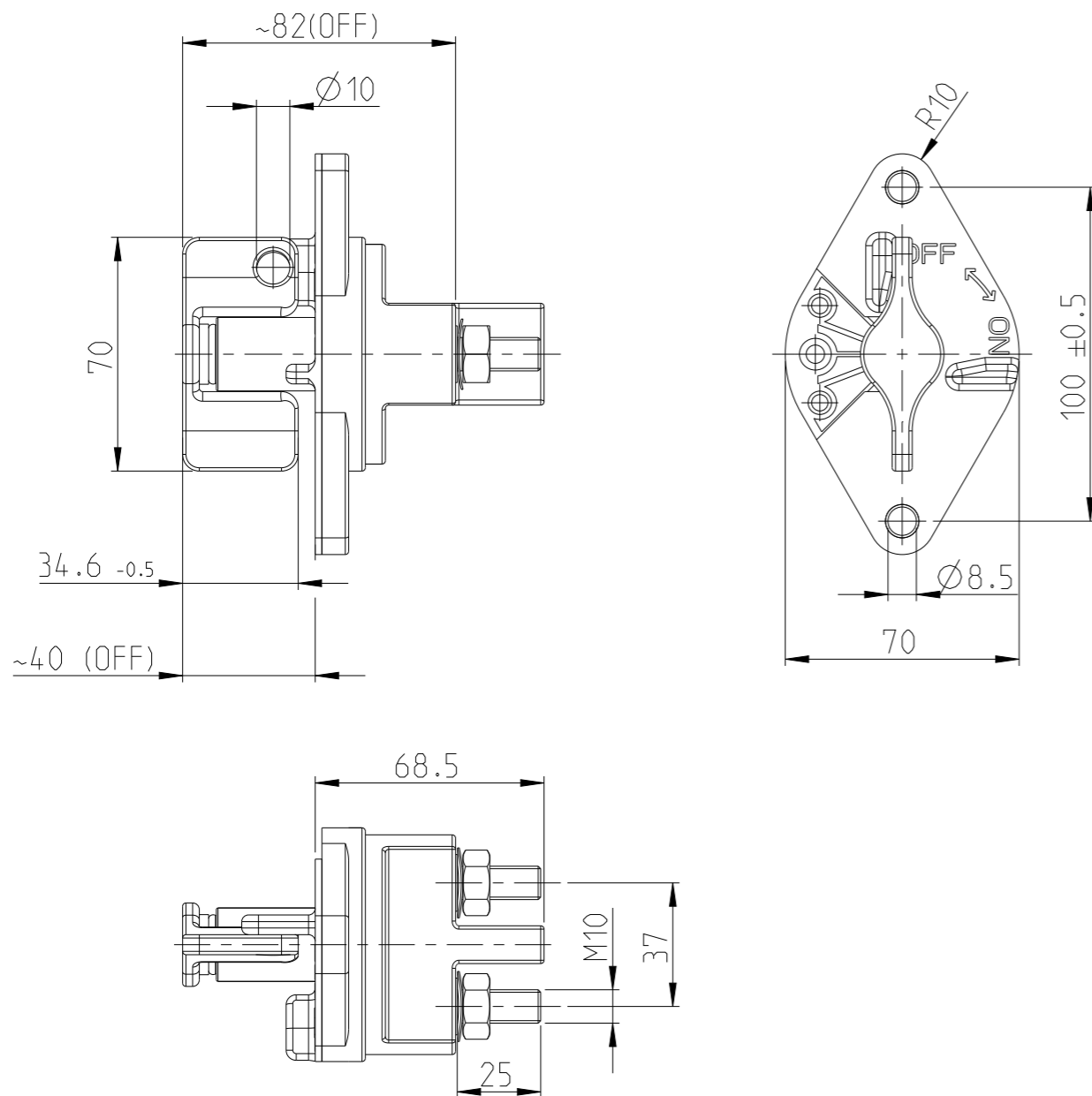


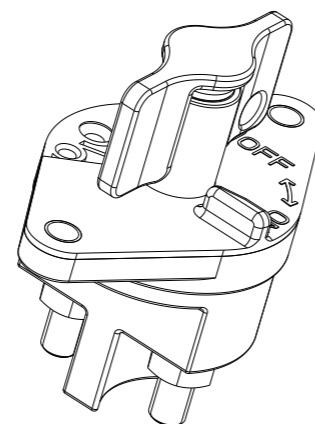
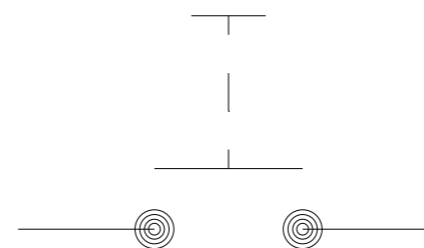
P	LTR	DESCRIPTION	DATE	DWN	APVD
	A	ECN-22-134612	26JAN2022	SEEG	GRIN



TECHNICAL DATA:

CASE MATERIAL.....	PA GF BLACK
SWITCH LEVER MATERIAL.....	PA GF RED
KEY PLATE MATERIAL.....	PA GF RED
MIN. INSULATION RESISTANCE.....	100MOhm
DIELECTRIC WITHSTANDING VOLTAGE.....	1050V-1min.
MAX. CONTACT DROP DURING RESISTIVE LOAD.....	150mV
VOLTAGE.....	UP TO 32VDC
DUTY RATING.....	300A
OVERLOAD.....	1200A-4min.
	1600A-1.5min.
	2000A-10sec.
SEALING.....	IP 67 / IEC 529
VIBRATION.....	4G / 50-2000Hz
SHOCK G-LEVER.....	6G / 11ms
WEIGHT.....	~325g / 0.72 pound
TEMPERATURE RANGE.....	-40°C TO +85°C
WIRE SECTION (AT NOMINAL LOAD).....	MIN. 70mm ²
MOUNTING POSTION.....	OPTIONAL
SWITCH LEVER.....	NOT REMOVEABLE
	LOCKABLE IN "OFF" POSITION
	NOT LOCKABLE IN "ON" POSITION
TORQUE (MAIN TERMINALS).....	15-20Nm

CIRCUIT



THIS DRAWING IS A CONTROLLED DOCUMENT.		DWN	Manohar	13.09.2021		NAME BATTERY DISCONNECTOR 300A
		CHK	Fritza	14.09.2021		
		APVD	AOW alz	26JAN2022		
		PRODUCT SPEC				
DIMENSIONS: mm		TOLERANCES UNLESS OTHERWISE SPECIFIED: DIN ISO 2768 cL		APPLICATION SPEC		
		0 PLC ± 1 PLC ± 2 PLC ± 3 PLC ± 4 PLC ± ANGLES ±		RESTRICTED TO		
MATERIAL		FINISH		WEIGHT	SIZE	CAGE CODE
					A3	00779
CUSTOMER DRAWING				SCALE	DRAWING NO	RESTRICTED TO
				1:2	©=35-314-131-R-901	-
				SHEET	1 OF 1	REV
						A

X-ON Electronics

Largest Supplier of Electrical and Electronic Components

Click to view similar products for [Disconnect Switches](#) category:

Click to view products by [TE Connectivity](#) manufacturer:

Other Similar products are found below :

[08094500](#) [35-210-051-R-900](#) [35-301](#) [35-314-131-R-901](#) [35H-210-000-OR-900](#) [35H-210-051-OR-900](#) [35H-411-0100-OR2100001](#) [35H-511-0100-OR2100001](#) [35H-511-0100-OR210-902](#) [3LD2013-1TL51](#) [3LD2022-0TK11](#) [3LD2022-1TL11](#) [3LD2030-0TK11](#) [3LD20541TP51](#) [3LD20640TB510US2](#) [3LD20641GP510US2](#) [3LD2103-0TK51](#) [3LD2103-1TP51](#) [3LD2154-0TK51](#) [3LD21641GP510US2](#) [3LD2203-0TK51](#) [3LD2203-1TL51](#) [3LD22171TL11](#) [3LD2230-0TK11](#) [3LD2250-0TK11](#) [3LD2254-0TK51](#) [3LD22640TB510US2](#) [3LD22641GP510US2](#) [3LD2418-0TK11](#) [3LD2504-0TK51](#) [3LD2514-0TK51](#) [3LD2530-0TK11](#) [3LD2714-0TK51](#) [3LD3054-0TL51](#) [3LD3254-0TK51](#) [3LD3254-0TL51](#) [3LD3448-0TL51](#) [3LD52000TK11](#) [3LD58200TK11](#) [75912](#) [75920](#) [75920-05](#) [75921-10](#) [880062](#) [BD1-1A1](#) [BD1-1A1/CAP](#) [BD1-1A2](#) [BDA10-RA](#) [BDB10-RA](#) [CCP2-1-30CC](#)