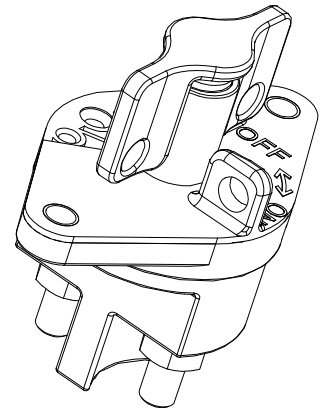
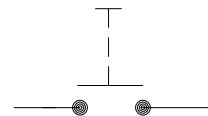


Circuit



Technical Data:

Case Material .....	PA GF black
Switch Lever Material .....	PA GF black
Min.Insulation Resistance .....	100M0hm
Dielectric Withstanding Voltage .....	1050V-1min.
Max.Contact Drop during Resistive Load .....	150mV
Voltage .....	up to 32VDC
Duty Rating .....	300A
Overload .....	1200A-4min.
.....	1600A-1.5min.
.....	2000A-10sec.
Sealing .....	IP 67/ IEC 529
Vibration .....	4G/ 50-2000Hz
Shock G-Lever .....	6G/ 11ms
Weight .....	~325g / 0.72 pound
Temperature Range .....	-40°C to +85°C
Wire Section (At Nominal Load) .....	min. 70mm <sup>2</sup>
Mounting Position .....	optional
Switch Lever .....	not removeable
. Torque (Main Terminals) .....	15-20Nm

For this drawing we reserve the copyright in accordance with DIN ISO 16016

	Date	Name
Create	20.10.2006	Grind
Edited	07.01.2020	Seege
Check	10.03.2020	Grind

mm ↔	Scale 1:2
General Tolerances DIN ISO 2768 cL	



Drawing No:

35-314-131-S-901

NSN:

## X-ON Electronics

Largest Supplier of Electrical and Electronic Components

*Click to view similar products for [Rotary Switches](#) category:*

*Click to view products by [TE Connectivity](#) manufacturer:*

Other Similar products are found below :

[57HS22-02-2-06N](#) [57M22-02B16N](#) [57M22-09A16N](#) [M3786/4-0881](#) [M3786/4-3267](#) [M3786/4-5568](#) [M3786/4-6029](#) [MC06L1NCGF](#) [84986-26](#) [9003K2C003GA](#) [PLR3251](#) [PLR3262](#) [PS3](#) [A0142M2SP](#) [A019605](#) [A029303](#) [R2AA4455NNNN](#) [R2BB4455NNNN](#) [DR75-AMSF-10R-B14-520.0360](#) [1703.3201](#) [HW1MS-0202-101](#) [24002-03S](#) [A029101](#) [ACSNO-129-YB-C1014](#) [ACSNO-134-RR-YB-C1005](#) [ACSNO-353-SB-C3016](#) [1825537-4](#) [T505](#) [T505E](#) [24005-03N](#) [H10207RR01Q](#) [M3786/4-0002](#) [M3786/4-0630](#) [M3786/4-1028L](#) [M3786/4-1233L](#) [M3786/4-3044](#) [M3786/4-3129](#) [M3786/4-5008L](#) [M3786/4-5256](#) [MC6CX1A502X009](#) [42HS36-01-1-06N](#) [42P36-03B10S](#) [44MBS60-04-2-03N](#) [44MG90-02-1-02N](#) [50KMT90-01-2-02N](#) [51A22-01-1-16S](#) [51CDP30-01PAJN](#) [51KSP30-01D04N](#) [51P30-01B12N](#)