

4

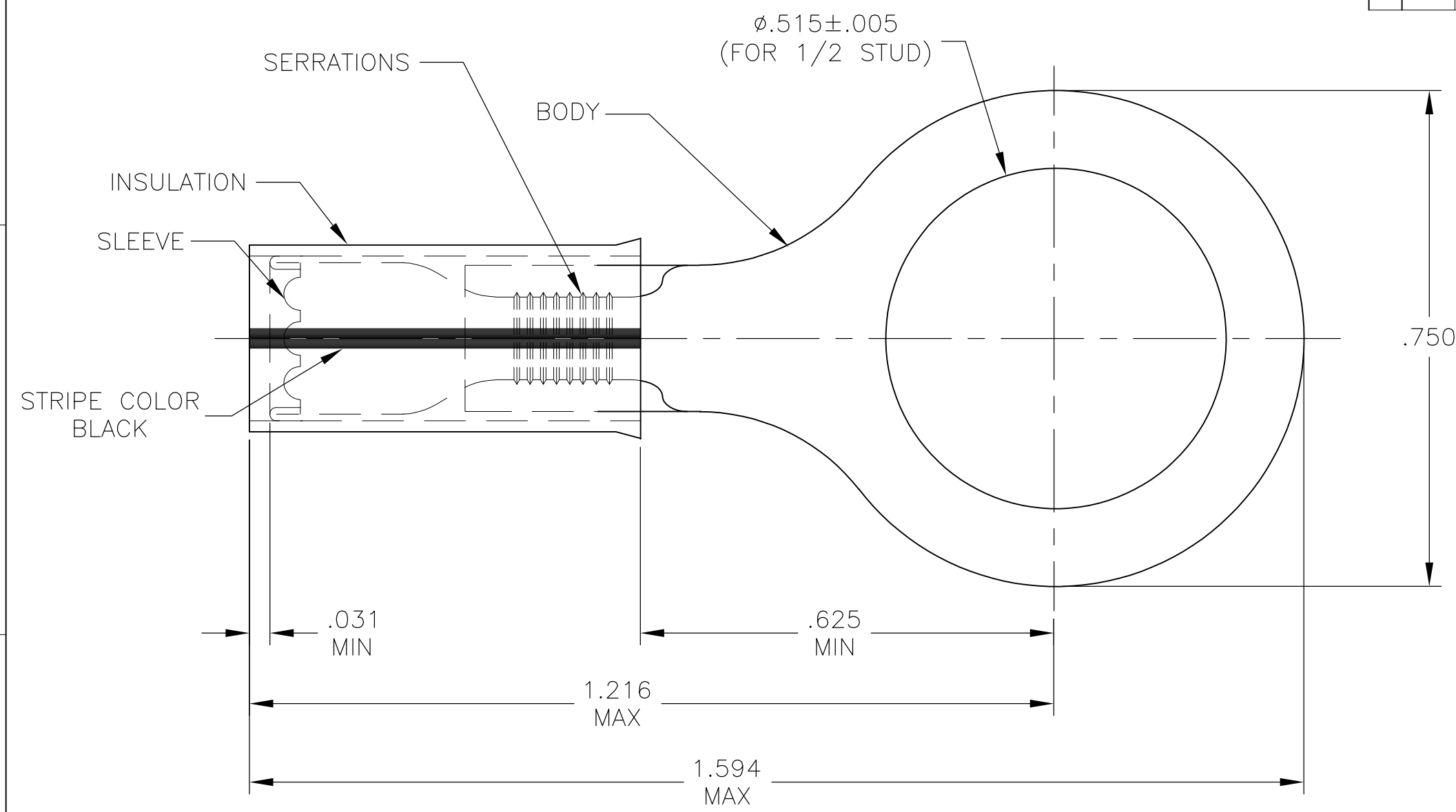
3

2

1

THIS DRAWING IS UNPUBLISHED. RELEASED FOR PUBLICATION
 © COPYRIGHT - By - ALL RIGHTS RESERVED.

LOC	DIST	REVISIONS					
G	02	P	LTR	DESCRIPTION	DATE	DWN	APVD
		G		REVISED PER ECO-14-015277	27FEB2015	NK	DR



- 1 STAMP AMP 16-14 HD* APPROX AS SHOWN.
- 2 FOR .150 TO .250 WIRE INSULATION DIA
- 3 TONGUE MATERIAL THK. = $.048 \pm .002$

1	BODY: COPPER (ASTM B152) TIN PL (ASTM B 545)	WIRE TERMINAL	35316
	SLEEVE: COPPER (ASTM B152)		
	INSULATION: YELLOW NYLON		
QTY	MATERIAL & FINISH	DESCRIPTION	PART NO

THIS DRAWING IS A CONTROLLED DOCUMENT.		DWN NAGALAKSHMI K 04-17-70	STE TE Connectivity	
DIMENSIONS: INCHES		CHK <i>Reynolds</i> 04-21-70		
TOLERANCES UNLESS OTHERWISE SPECIFIED:		APVD <i>Livabe</i> 04-22-70	NAME WIRE TERMINAL P.I.D.G RING TONGUE WIRE SIZE: 16-14 HD	
0 PLC ± -		PRODUCT SPEC	SIZE	
1 PLC ± -		APPLICATION SPEC	CAGE CODE	DRAWING NO
2 PLC ± -		WEIGHT	RESTRICTED TO	
3 PLC ± .008			A3	00779
4 PLC ± -			C-	35316
ANGLES ± 5°			SCALE 5:1 SHEET 1 OF 1 REV G	
MATERIAL SEE TABLE		FINISH		
			CUSTOMER DRAWING	

X-ON Electronics

Largest Supplier of Electrical and Electronic Components

Click to view similar products for [Terminals](#) category:

Click to view products by [TE Connectivity](#) manufacturer:

Other Similar products are found below :

[00-054007-01074-6](#) [00-054007-70206-1](#) [00-054007-70210-8](#) [00-054007-70217-7](#) [00-054007-70226-9](#) [00-054007-70228-3](#) [00-054007-70248-1](#) [00-054007-70256-6](#) [00-054007-70301-3](#) [00-054007-70316-7](#) [00-054007-49560-4](#) [00-054007-70209-2](#) [00-054007-70225-2](#) [00-054007-70227-6](#) [00-054007-70231-3](#) [00-054007-70241-2](#) [00-054007-70242-9](#) [00-054007-70244-3](#) [00-054007-70246-7](#) [00-054007-70263-4](#) [00-054007-70288-7](#) [00-054007-70290-0](#) [00-054007-70300-6](#) [00-054007-70304-4](#) [01-2065-1-0216](#) [01-2900-1-04412](#) [00581P0075](#) [600TS-10](#) [60205-1](#) [604200-1](#) [605601-1](#) [60598-1-CUT-TAPE](#) [61314-6-C](#) [61810-3](#) [61-S](#) [61-SN](#) [626-0194](#) [62-NBM-A](#) [62-SN](#) [62-SP](#) [63-S](#) [640179-1](#) [M55155/059I03](#) [M55155/079C01](#) [M55155/099H02](#) [M55155/109H01](#) [M55155/109H02](#) [M55155/12XH05](#) [M55155/16XH02](#) [M55155/29-5S](#)