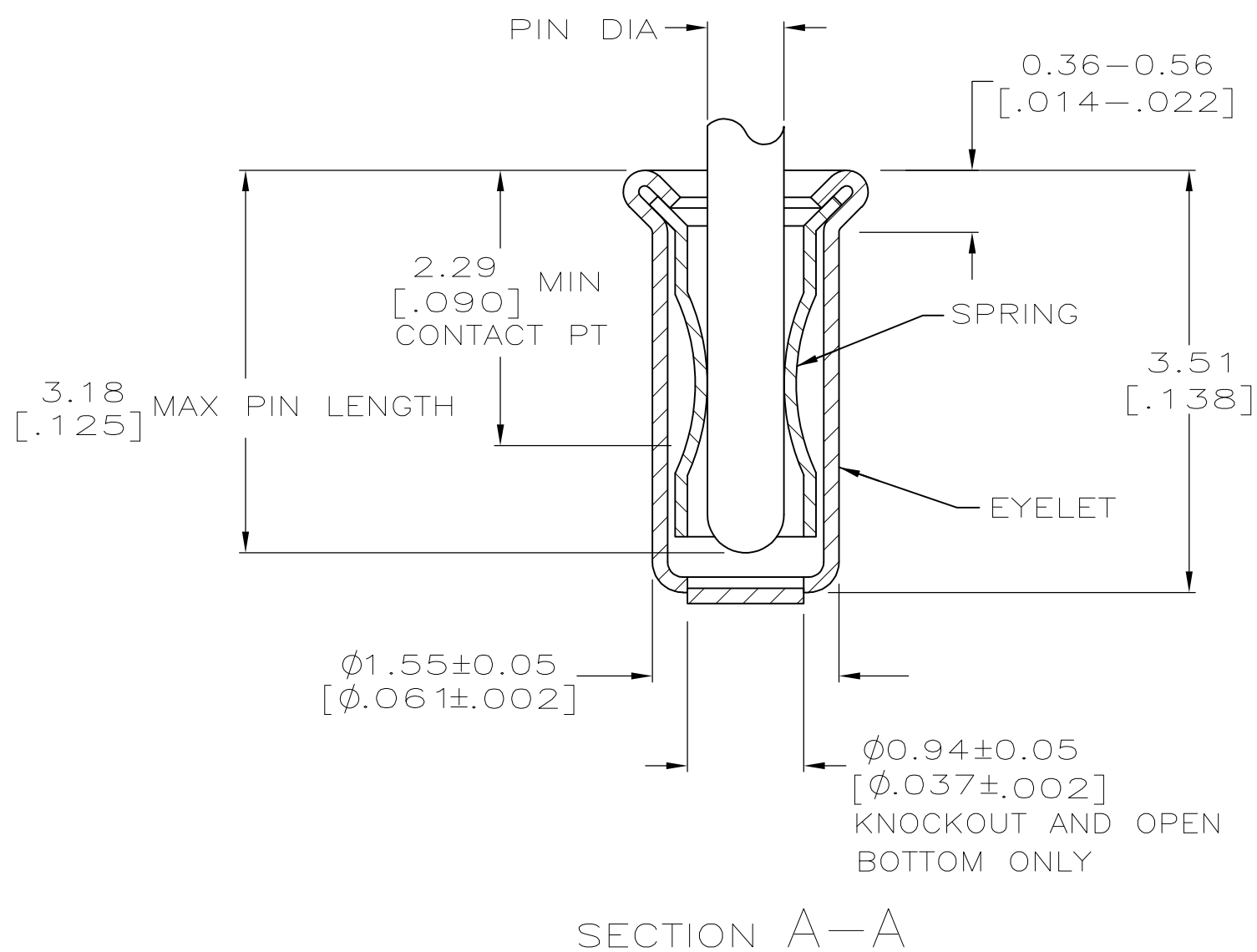
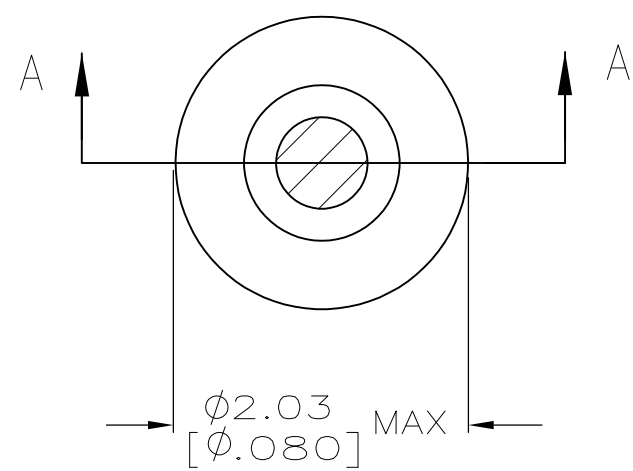


THIS DRAWING IS UNPUBLISHED. RELEASED FOR PUBLICATION  
 © COPYRIGHT - By - ALL RIGHTS RESERVED.

LOC		DIST		REVISIONS			
P	LTR	DESCRIPTION		DATE	DWN	APVD	
GP	00	P		REVISED PER ECO-11-004835	07MAR11	RK HMR	



- 1. TIN PLATE PER ASTM B 545 0.00254 [.000100] MIN THICK.
- 2. GOLD PLATE PER ASTM B 488 0.00076 [.000030] MIN THICK OVER NICKEL PLATE PER QQ-N-290 0.00028 [.000011] MIN THICK ON CONTACT AREA.
- 3. RECOMMENDED HOLE SIZE, PLATED OR UNPLATED:  
 MACHINE INSERTION: 1.57 <sup>+0.10</sup>/<sub>-0.08</sub> [.062 <sup>+0.004</sup>/<sub>-0.003</sub>]  
 HAND INSERTION: 1.60 <sup>+0.10</sup>/<sub>-0.00</sub> [.063 <sup>+0.004</sup>/<sub>-0.000</sub>]
- 4. APPLICATION TOOL PART NUMBER: MACHINE NO. 682127-4  
 INSERTION HEAD NO. 682039-3
- 5. TO INSURE PROPER SPRING TENSION DO NOT EXCEED A 0.05 [.002] DIFFERENCE IN PIN DIA WHEN CHANGING TO A SMALLER PIN.
- 6. BOTTOM PLUG KNOCKOUT TOOL PART NUMBER 69729 WITH TIP PART NUMBER 69728-1.
- 7. MATERIAL: BERYLLIUM COPPER PER ASTM B 194  
 EYELET: COPPER PER ASTM B 152
- 8. OBSOLETE PARTS: OBSOLETE CIS STREAMLINING PER D.RENAUD/D.SINISI

8	OBSOLETE	PIN DIA		FINISH	PART NO
		OPEN	CLOSED		
		0.76-0.84 [.030-.033]	0.66-0.74 [.026-.029]	TIN 1	GOLD 2
		0.76-0.84 [.030-.033]	0.66-0.74 [.026-.029]		
		0.76-0.84 [.030-.033]	0.66-0.74 [.026-.029]	TIN 1	PART NO
		0.76-0.84 [.030-.033]	0.56-0.64 [.022-.025]		
		0.76-0.84 [.030-.033]	0.76-0.84 [.030-.033]		
		RECOMMENDED PIN DIA 5		EYELET	SPRING

THIS DRAWING IS A CONTROLLED DOCUMENT.		DWN A. FERNANDEZ-DOCK5 22APR2005	TE Connectivity	
DIMENSIONS: mm [INCHES]	TOLERANCES UNLESS OTHERWISE SPECIFIED:	CHK J. HAVENER 22APR2005	NAME MINIATURE SPRING SOCKET ASSEMBLY	
0 PLC ± -	1 PLC ± -	APVD J. HAVENER 22APR2005	PRODUCT SPEC 108-14008	
2 PLC ± -	3 PLC ± 0.20 [.008]	APPLICATION SPEC 114-13152	SIZE A2	CAGE CODE 00779
4 PLC ± -	ANGLES ± -	WEIGHT -	DRAWING NO 5331677	
MATERIAL NOTE 7	FINISH SEE TABLE	CUSTOMER DRAWING	SCALE 20:1	SHEET 1 OF 1

## X-ON Electronics

Largest Supplier of Electrical and Electronic Components

*Click to view similar products for IC & Component Sockets category:*

*Click to view products by TE Connectivity manufacturer:*

Other Similar products are found below :

[0066-3-17-15-30-14-02-0](#) [670](#) [672](#) [673](#) [694-13-640-00-672-000](#) [712-93-120-41-001000](#) [714-93-104-31-018000](#) [8059-4G1-LF](#) [807-22-001-10-001101](#) [807-22-001-10-006101](#) [807-22-001-30-011101](#) [807-22-001-30-012101](#) [807-22-001-30-013101](#) [807-22-001-30-014101](#) [8-1437531-4](#) [8150-6P10](#) [833-93-034-10-001000](#) [851-41-006-10-001000](#) [851-43-008-20-001000](#) [851-43-014-20-001000](#) [851-93-006-20-001000](#) [851-93-010-20-001000](#) [853-43-020-10-001000](#) [86.010.0053.0](#) [116-43-308-41-007000](#) [PX-68LCC](#) [121-13-318-41-001000](#) [121-13-320-41-001000](#) [121-13-308-41-001000](#) [123-43-314-41-801000](#) [123-43-420-41-001000](#) [122-13-316-41-001000](#) [123-13-624-41-001000](#) [123-43-306-41-001000](#) [12-3513-11](#) [123-91-320-41-001000](#) [126-43-310-41-002000](#) [AKSUN 37V-T](#) [1437503-9](#) [1437504-1](#) [146-44-308-41-013000](#) [146-43-308-41-012000](#) [160-10-308-00-001000](#) [160-40-320-00-001000](#) [214-99-306-01-670800](#) [232-1270-02-0602](#) [2-382761-4](#) [2-5331677-4](#) [2-640360-3](#) [2801-2-00-50-00-00-07-0](#)