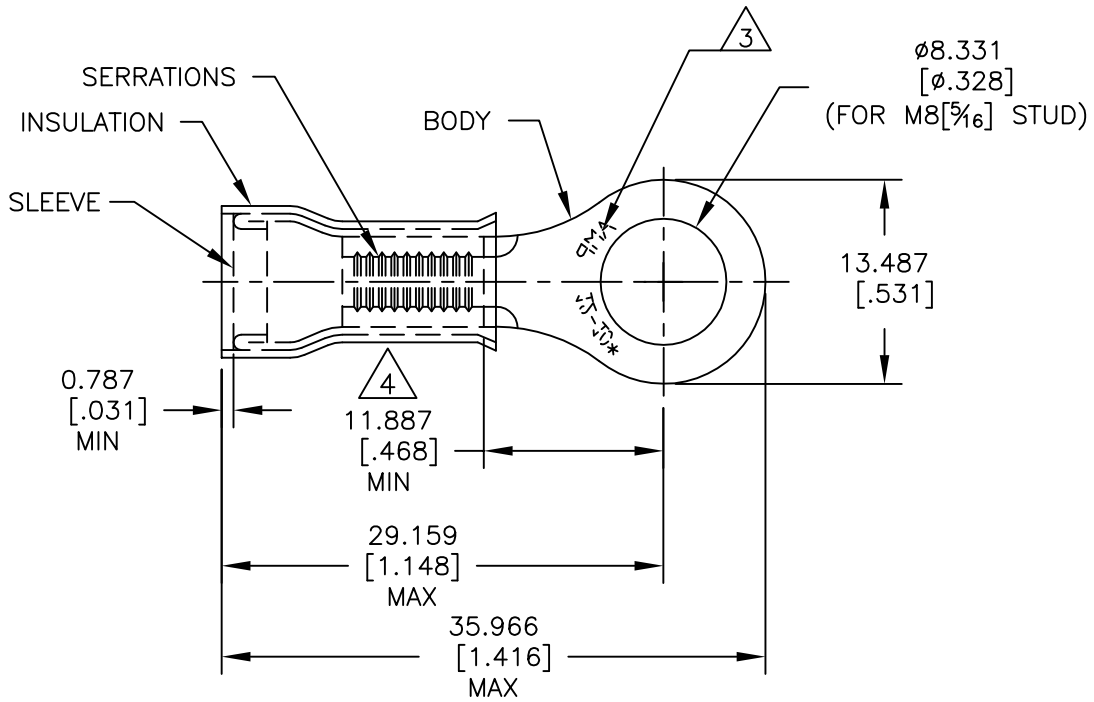


REVISIONS					
P	LTR	DESCRIPTION	DATE	DWN	APVD
	C1	REDRAWN PER ECO-17-007400	11DEC2017	RS	DR

AMP WIRE RANGE	 Listed FILE E13288	 LR7189 Certified
12-10 AWG SOLID OR STRANDED	12-10 AWG SOLID OR STRANDED	12-10 AWG SOLID OR STRANDED



1 FOR $\phi 4.318$ [$\phi .170$] TO $\phi 7.620$ [$\phi .300$] WIRE INSULATION.

2 BODY MATERIAL THICKNESS: 1.016 ± 0.051 [$.040 \pm .002$]

3 STAMP AMP 12-10* APPROX AS SHOWN.

4 APPLIES FROM EDGE OF METAL WIRE BARREL TO CENTER OF STUD HOLE.

5 MATERIAL:
BODY & SLEEVE: COPPER PER ASTM B152
INSULATION: PVC

6 FINISH:
BODY & SLEEVE: TIN PLATE PER ASTM B545
INSULATION: COLOR-YELLOW.


1500	ON TAPE	2-35346-1
500	LOOSE PIECE	35346
QTY.	PACKAGE TYPE	PART NUMBER

RELEASED FOR PUBLICATION

ALL RIGHTS RESERVED.

THIS DRAWING IS UNPUBLISHED.

© COPYRIGHT - TE Connectivity

DIMENSIONS: mm [INCHES]	DWN RAVI S	11DEC2017	MATERIAL	5	FINISH	6
	CHK ROHDE DANIEL F	11DEC2017	 TE Connectivity			
TOLERANCES UNLESS OTHERWISE SPECIFIED:	APVD ROHDE DANIEL F	11DEC2017				
0 PLC ± -	PRODUCT SPEC	UL 486 A-B				
1 PLC ± -	APPLICATION SPEC	114-2157	NAME WIRE TERMINAL, P.I.D.G-RING TONGUE, WIRE SIZE: 12-10			
2 PLC ± -	WEIGHT	-	SIZE	A4	CAGE CODE	00779
3 PLC ± 0.127[.005]	CUSTOMER DRAWING		DRAWING NO	C= 35346		RESTRICTED TO
4 PLC ± -			SCALE	2:1	SHEET	1 OF 1
ANGLES ± -						

X-ON Electronics

Largest Supplier of Electrical and Electronic Components

Click to view similar products for [Terminals](#) category:

Click to view products by [TE Connectivity](#) manufacturer:

Other Similar products are found below :

[00-054007-01074-6](#) [00-054007-70206-1](#) [00-054007-70210-8](#) [00-054007-70217-7](#) [00-054007-70226-9](#) [00-054007-70228-3](#) [00-054007-70248-1](#) [00-054007-70256-6](#) [00-054007-70301-3](#) [00-054007-70316-7](#) [0-0320562-0](#) [00-054007-49560-4](#) [00-054007-70209-2](#) [00-054007-70225-2](#) [00-054007-70227-6](#) [00-054007-70231-3](#) [00-054007-70241-2](#) [00-054007-70242-9](#) [00-054007-70244-3](#) [00-054007-70246-7](#) [00-054007-70263-4](#) [00-054007-70288-7](#) [00-054007-70290-0](#) [00-054007-70300-6](#) [00-054007-70304-4](#) [01-2065-1-0216](#) [01-2900-1-04412](#) [00581P0075](#) [600TS-10](#) [60205-1](#) [604200-1](#) [605601-1](#) [60598-1-CUT-TAPE](#) [61314-6-C](#) [61810-3](#) [61-S](#) [61-SN](#) [626-0194](#) [62-NBM-A](#) [62-SN](#) [62-SP](#) [63-S](#) [640179-1](#) [M55155/059I03](#) [M55155/079C01](#) [M55155/099H02](#) [M55155/109H01](#) [M55155/109H02](#) [M55155/12XH05](#) [M55155/16XH02](#)