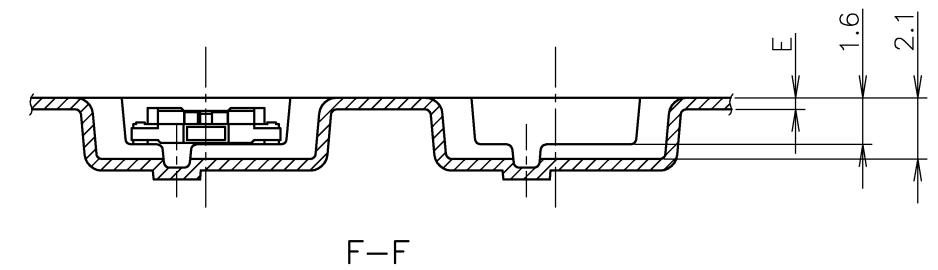
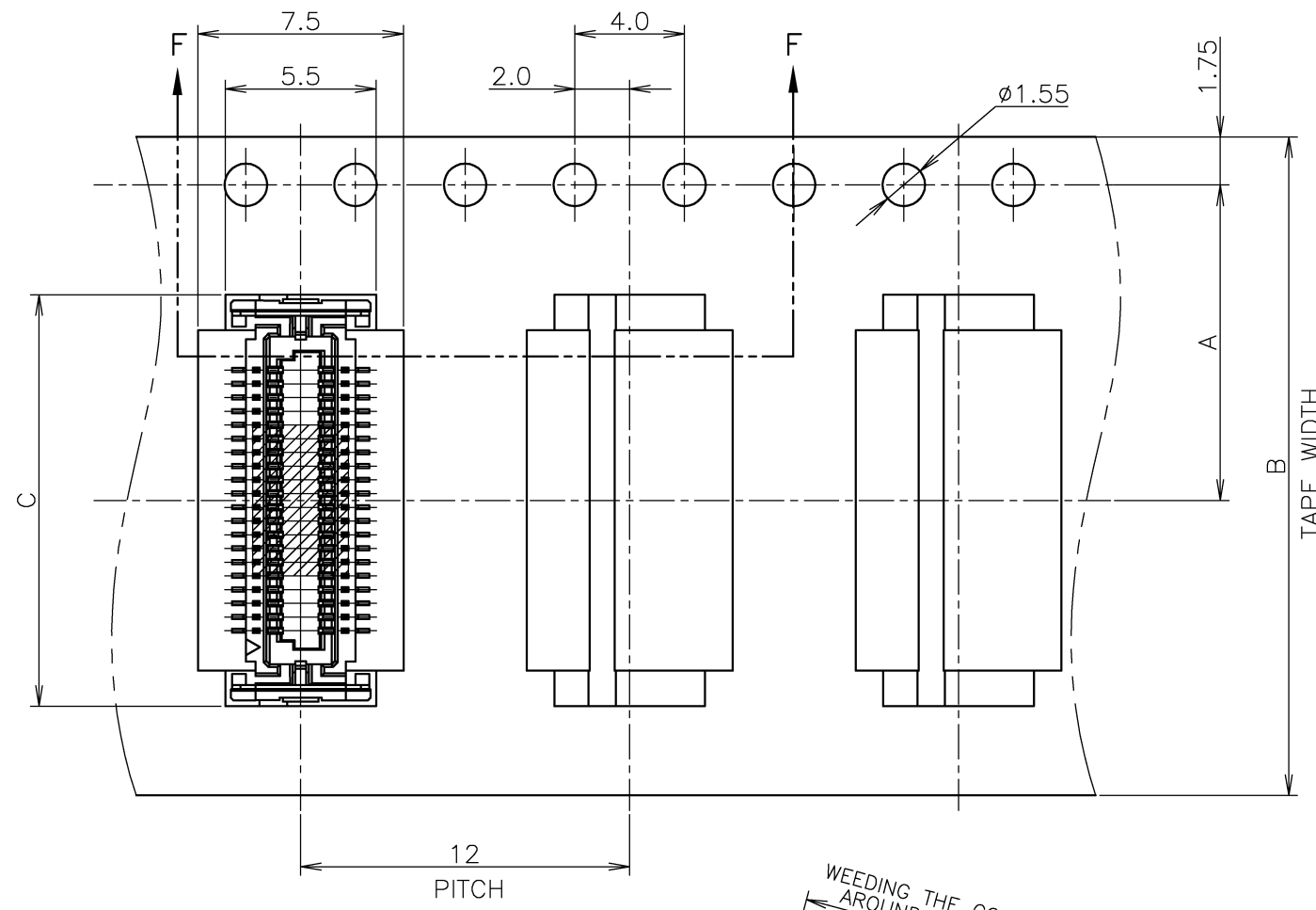


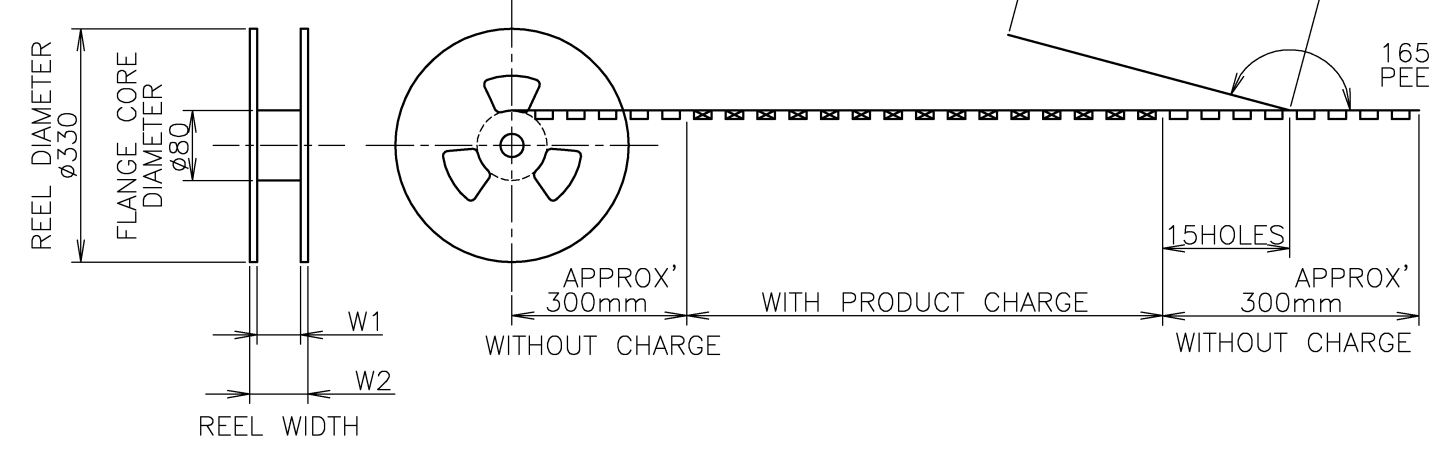
THIS DRAWING IS UNPUBLISHED. RELEASED FOR PUBLICATION NOV ,2004.  
 © COPYRIGHT 2004 BY TYCO ELECTRONICS CORPORATION. ALL RIGHTS RESERVED.

LOC	DIST	REVISIONS					
J		P	LTR	DESCRIPTION	DATE	DWN	APVD
		B		REVISED	04NOV2008	Y.N	T.F



TOP OF REEL

WEEDING THE COVER TAPE AROUND THE OUTER PERIPHERY IN A TURN.  
 165°~180° PEELING ANGLE.



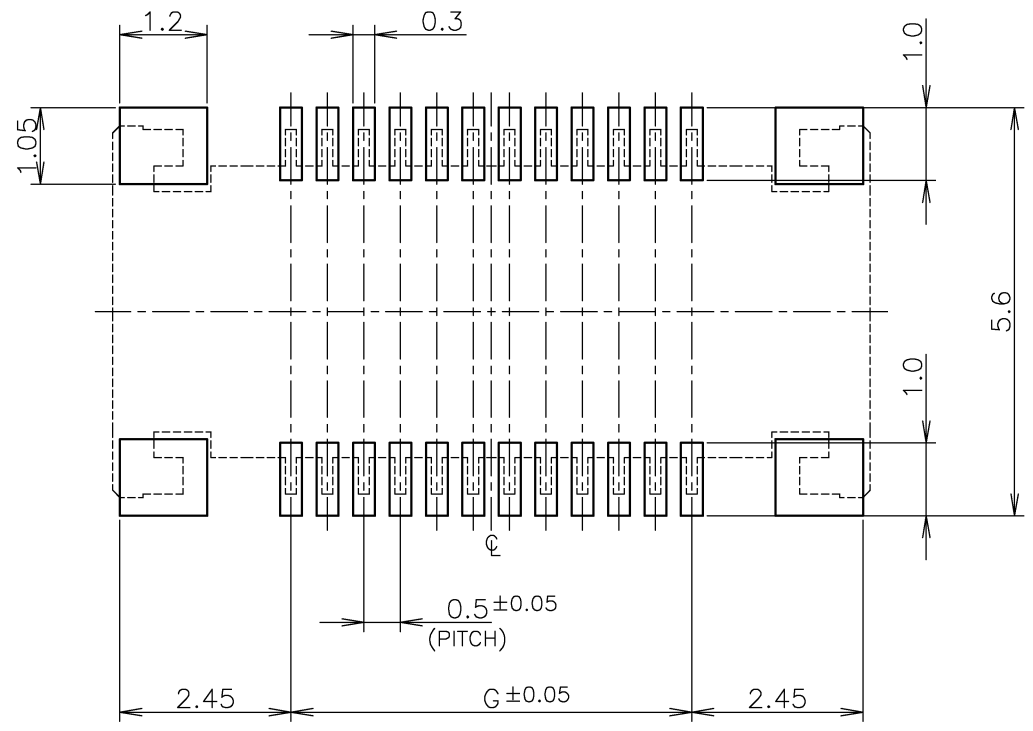
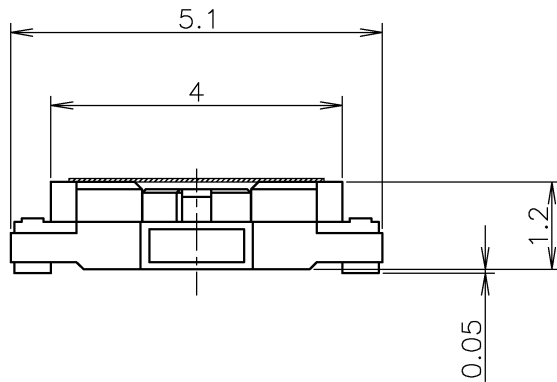
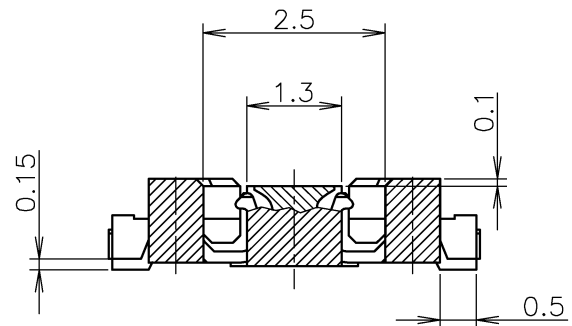
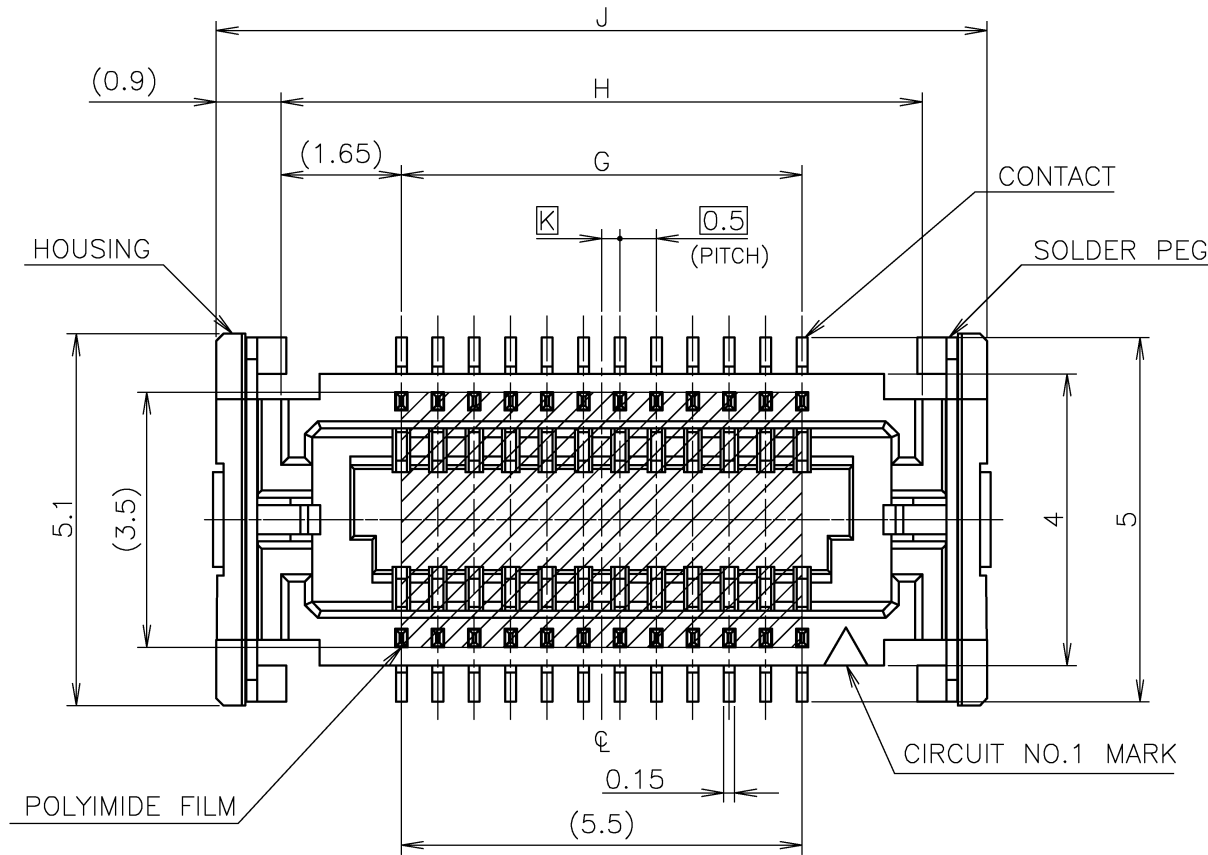
28.4	24.4	0.4	15.0	24	11.5	1500	40	4-5353512-5
28.4	24.4	0.4	15.0	24	11.5	1500	40	4-5353512-0
28.4	24.4	0.4	12.5	24	11.5	1500	30	3-5353512-0
28.4	24.4	0.4	10.0	24	11.5	1500	20	2-5353512-0

INSTRUCTION SHEET 411-5781	W2	W1	E	C	B	A	QTY/REEL	POS	TAPING P/N
-------------------------------	----	----	---	---	---	---	----------	-----	------------

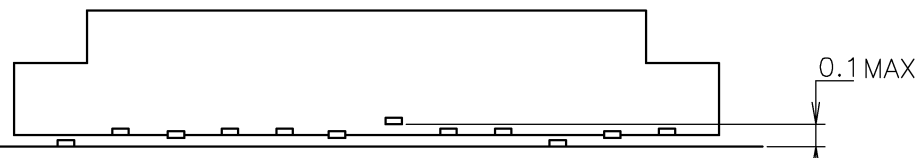
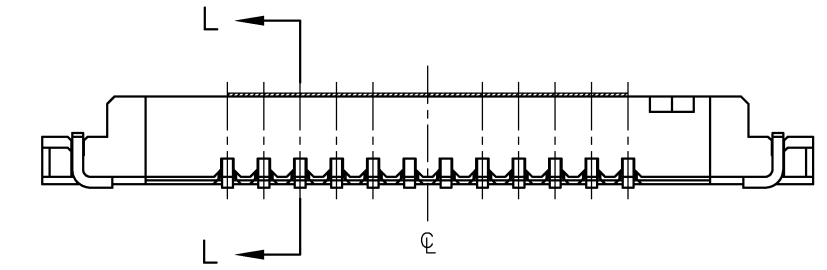
THIS DRAWING IS A CONTROLLED DOCUMENT.		DWN JULYEE ZHU 09NOV2004	Tyco Electronics Corporation Kawasaki, Japan	
DIMENSIONS: 單位: 精 mm		CHK STEVEN YAO 09NOV2004	NAME ON TAPING EMBOSS	
TOLERANCES UNLESS OTHERWISE SPECIFIED: 一般公差		APVD I.ENOMOTO 09NOV2004	PRODUCT SPEC 製品規格 108-60048	
0 PLC ± 0.2		APPLICATION SPEC 取付適用規格		
1 PLC ± 0.2		SIZE A3		
2 PLC ± 0.2		CAGE CODE 00779		
3 PLC ± 0.2		DRAWING NO C-5353512		
4 PLC ± 0.2		RESTRICTED TO		
ANGLES ± 3°		SCALE 尺度 4:1		
MATERIAL 材料	FINISH 仕上	WEIGHT		SHEET 1 of 2
CUSTOMER DRAWING		REV B		

THIS DRAWING IS UNPUBLISHED. RELEASED FOR PUBLICATION NOV ,2004.  
 © COPYRIGHT 2004 BY TYCO ELECTRONICS CORPORATION. ALL RIGHTS RESERVED.

LOC	DIST	REVISIONS					
J		P	LTR	DESCRIPTION	DATE	DWN	APVD
				SEE SHEET 1			



(T=0.6 MIN.)  
P.C. BOARD LAYOUT (REF.)



(COPLANARITY)  
MUST BE MEASURED FLOATING AMOUNT OF TINES  
AND TAIL PLATES FROM DATUM SURFACE IS 0.1mm MAX.

- 1 MATING COUNTER PART NUMBER: 5353514
- 2 MATERIAL  
HOUSING: HIGH HEAT-RESISTED  
CONTACT: COPPER ALLOY (t=0.15), Au PLATING.  
SOLDER PEG: COPPER ALLOY (t=0.15), TIN PLATING.
- 3 CONTACT: Au PLATING (0.00076mm)

0.25	14.6	12.8	9.5	40	4-5353512-5
0.25	14.6	12.8	9.5	40	4-5353512-0
---	12.1	10.3	7	30	3-5353512-0
0.25	9.6	7.8	4.5	20	2-5353512-0

INSTRUCTION SHEET 411-5781		DIMENSION		POS.	PART NO.
Tyco Electronics Corporation Kawasaki, Japan					
NAME ON TAPING EMBOSS 0.5mm PITCH FS CONN. RECEPTACLE ASSEMBLY WITH KEY & WITHOUT BOSS					
SIZE	CAGE CODE	DRAWING NO	RESTRICTED TO		
A3	00779	G-5353512			
CUSTOMER DRAWING		SCALE 尺度 10:1	SHEET 2 OF 2	REV B	

THIS DRAWING IS A CONTROLLED DOCUMENT.	
DIMENSIONS: 単位: 精 mm	TOLERANCES UNLESS OTHERWISE SPECIFIED: 一般公差
	0 PLC ± 0.2 1 PLC ± 0.2 2 PLC ± 0.2 3 PLC ± 0.2 4 PLC ± 0.2 ANGLES ± 3°
MATERIAL 材料	FINISH 仕上
2	2 3

## X-ON Electronics

Largest Supplier of Electrical and Electronic Components

*Click to view similar products for [Board to Board & Mezzanine Connectors](#) category:*

*Click to view products by [TE Connectivity](#) manufacturer:*

Other Similar products are found below :

[10135583-642402LF](#) [89885-310LF](#) [589158040000018](#) [6-1393048-0](#) [68683-613](#) [MDF7-12DP-2.54DSA](#) [MDF7-18P-2.54DSA\(01\)](#) [MDF7-20DP-2.54DSA](#) [MDF7-26D-2.54DSA\(55\)](#) [MDF7-3P-2.54DSA\(01\)](#) [MDF7B-20P-2.54DSA\(01\)](#) [MDF7B-3P-2.54DSA\(55\)](#) [MDF7C-18P-2.54DSA\(55\)](#) [MDF7P-5P-2.54DSA\(55\)](#) [75234-0516](#) [FCN-230C068-11](#) [FCN-268F012-G/BD](#) [FCN-268F036-G/BD](#) [FCN-268M012-G/0D](#) [FCN-268M024-G/1D](#) [FCN-360C008-C](#) [FCN-723J004/1](#) [MIS-048-01-F-D-DP-K](#) [832-10-034-10-001000](#) [93696-325LF](#) [11828-1FA](#) [AXK630345P](#) [18097-0013](#) [2007042-2](#) [304400-2](#) [FCN-214Q030-G/0](#) [FCN-215Q040-G/0](#) [FCN-230C068-ESA](#) [FCN-234P048-G/0](#) [FCN-235D050-G/C](#) [FCN-360A3](#) [FCN-360C040-B](#) [210-93-314-41-105000](#) [2-22603-0](#) [379-064-521-202](#) [MDF7-12P-2.54DSA\(01\)](#) [MDF7-16P-2.54DS\(56\)](#) [MDF7-16P-2.54DSA\(55\)](#) [MDF7-40DP-2.54DSA\(55\)](#) [MDF7-8P-2.54DSA\(55\)](#) [AXG720047](#) [5031084030](#) [55323-1519](#) [DF33-2P-3.3DSA\(24\)](#) [DF33-2S-3.3C](#)