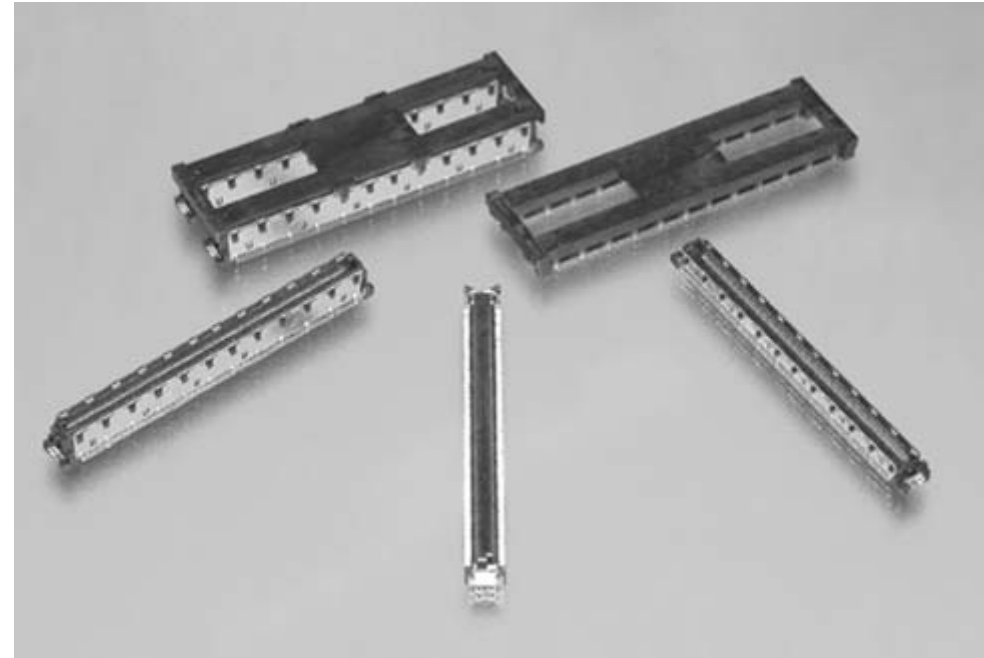


Product Facts

- Available position sizes:
 - For single connector: 120, 160, 200, 220, and 240 positions
 - For bridged connectors: 240, 320, and 440 positions
- Available stacking heights:
 - 5mm, 6mm, 7mm, 8mm, 9mm, 11mm, 12mm, 15mm, and 16mm (limited by position sizes)
- Giga ground shielding options on all parts
- RoHS Compliant part numbers available
- Polarized locating posts

0.5mm Free Height (FH) Connectors



0.5mm Free Height is a two-piece connector system designed for parallel board-to-board stacking applications. The contact system is identical to our popular 0.6mm FH product. The 0.5mm FH product has been chosen by the PICMG COM Express working group as the interface between embedded modules and carrier cards.

Applications

Parallel board-to-board for stacking applications that require high density. **The .5mm FH product is specified by the PICMG COM Express standard as the module to carrier card interface.** All stacking applications including Computer, Telecommunications, and Industrial industries.

Mechanical Properties

- Operating Temperature** — -40°C to +85°C
- Durability** — 30 cycles
- Current Rating** — 0.5A
- Voltage Rating** — 50 VAC
- Dielectric Withstanding Voltage** — 200 VAC

Technical Documents

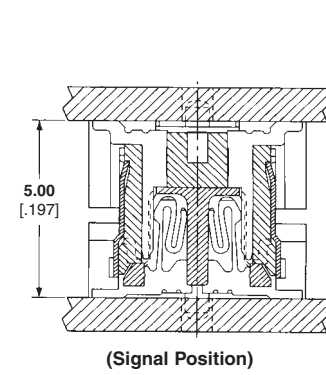
- Product Specification**
108-5560
- Test Reports**
501-5226

0.5mm Free Height (FH) Connectors

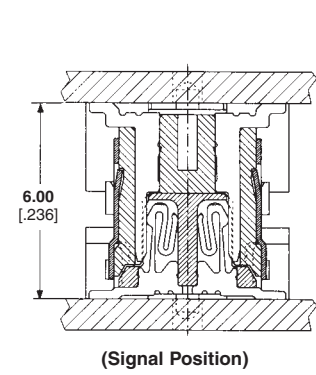
0.5mm Free Height (FH) Connectors (Continued)

**Board Stacking Spacing by
Combined Receptacle and
Plug Assemblies**

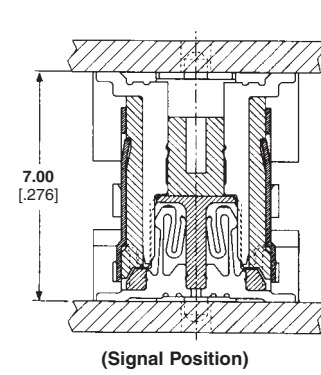
5mm Height



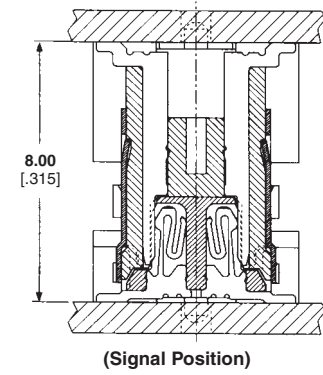
6mm Height



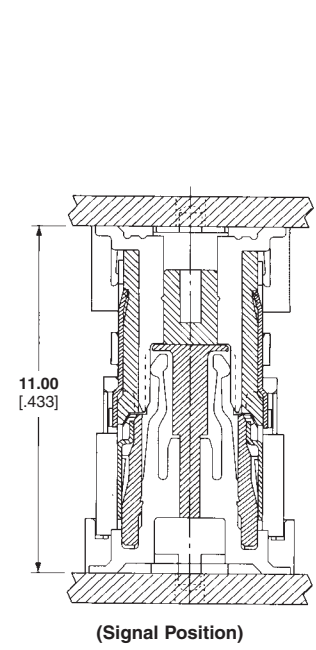
7mm Height



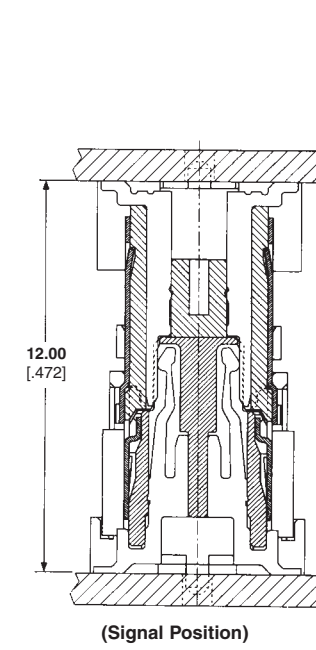
8mm Height



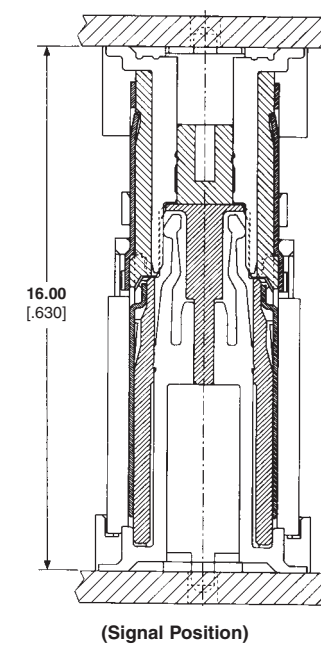
11mm Height



12mm Height



16mm Height



0.5mm Free Height (FH) Connectors

0.5mm Free Height (FH) Connectors (Continued)

0.5 FH Height Lists

Stack Height(mm) = Rcpt H + Plug H - 4
Giga Option = G-Plate & G-Con't
COM Express Part Numbers
Type: S = Single part; B = Bridge

RECEPTACLE										PLUG													
Remarks	Saleable Part No.	Packaging	SIF-200	G-Con	Type	H	Pos.	200	220	240	240	440	240	240	120	200	120	160	200	220	320	440	
with Cap	2-6473527-9	Emboss	—	—	S	4	120																
with Cap	3-6565778-5	Semi H/T	—	—	S	4	200	5H							7H				8H				
with Cap	6-5353606-6	Hard Tray	—	X	S	4	220	5H												8H			
	3-6318490-6	Hard Tray	—	X	S	4	220	5H												8H			
with Cap	3-6473884-7	Hard Tray	—	—	S	4	240						6H	6H									
with Cap	3-5353606-7	Hard Tray	—	X	S	4	240						6H	6H									
with Cap	3-1827231-6	Hard Tray	—	X	B	4	440				5H												8H
with Cap	5-6123675-9	Emboss	—	X	B	4	240			5H	5H												
	6-5353699-5	Hard Tray	—	X	S	8	200	9H							11H				12H				
with Cap	6-5353700-5	Hard Tray	X	X	S	8	200							11H					12H				
with Cap	6376618-1	Hard Tray	—	X	S	12	120							15H		16H							
with Cap	6-5353703-2	Tray	X	X	S	12	160									16H							
	6-5353649-2	Hard Tray	—	X	B	12	320																16H

0.5mm Free Height (FH) Connectors

Note: Part Numbers are RoHS compliant.

0.5mm Free Height (FH) Connectors (Continued)

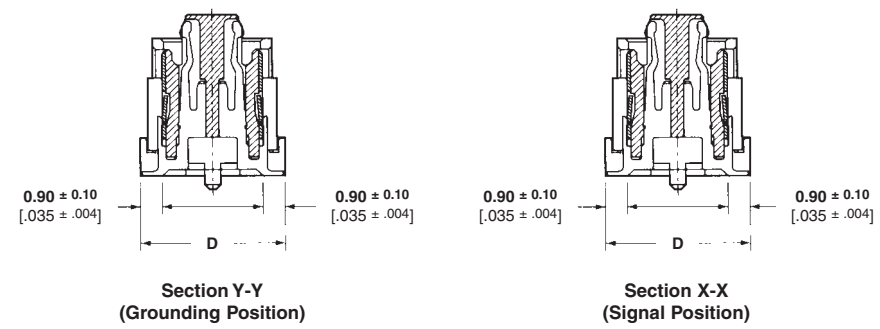
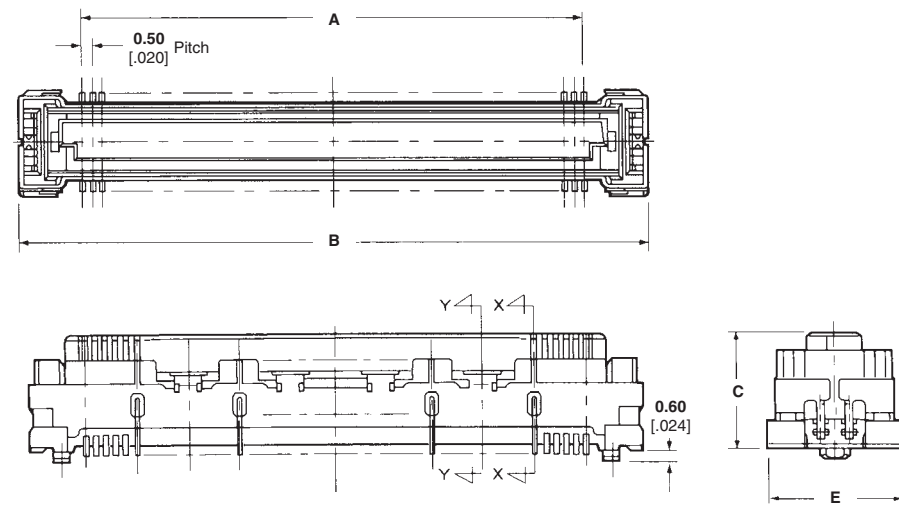
Receptacle Assembly

Acceptable Board Stacking Height = 11mm/12mm

Material and Finish

Housing — UL94V-0, heat resistant resin, natural color

Contact — Copper alloy, 0.2µm min. gold plated on contact area, 0.1µm tin-lead plated or tin plated on soldering area, 1.3µm min. nickel underplated on entire contact, 0.1µm thick tin plated on grounding contact.



.5 mm FH Receptacle Assemblies

Positions	Height	Dimensions					Ground Contact	SIF-200	With Pickup Cap	Packaging Type	Part Number
		A	B	C	D	E					
120	4	29.50 1.161	36.80 1.449	3.25 .128	6.20 .244	6.00 .236	—	—	Yes	Tape	2-6473527-9
	12	29.50 1.161	36.80 1.449	11.25 .443	6.30 .248	6.50 .256	Yes	—	Yes	Hard Tray	6376618-1
160	12	39.50 1.555	46.80 1.843	11.25 .443	6.30 .248	6.50 .256	Yes	—	Yes	Tray	6-5353703-2
	4	49.50 1.949	56.80 2.236	3.25 .128	6.20 .244	6.00 .236	—	—	Yes	Semi H/T	3-6565778-5
200	8	49.50 1.949	56.80 2.236	7.25 .285	6.30 .248	6.50 .256	Yes	—	—	Hard Tray	6-5353699-5
	4	54.50 2.146	61.80 2.433	3.25 .128	6.20 .244	6.00 .236	Yes	—	—	Hard Tray	3-6318490-6
220	4	54.50 2.146	61.80 2.433	3.25 .128	6.20 .244	6.00 .236	Yes	—	Yes	Hard Tray	6-5353606-6
	8	54.50 2.146	61.80 2.433	7.25 .285	6.30 .248	6.50 .256	Yes	Yes	Yes	Hard Tray	6-5353700-5
240	4	59.50 2.343	66.80 2.630	3.25 .128	6.20 .244	6.00 .236	—	—	Yes	Hard Tray	3-6473884-7
	4	59.50 2.343	66.80 2.630	3.25 .128	6.20 .244	6.00 .236	Yes	—	Yes	Hard Tray	3-5353606-7

Note: Part Numbers are RoHS compliant.

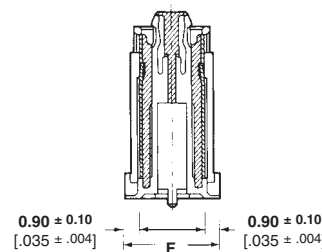
Receptacle Assembly with Bridge

Acceptable Board Stacking Height = 16mm

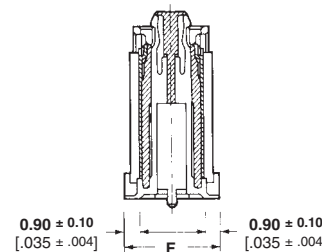
Material and Finish

Housing — UL94V-0, heat resistant resin, natural color

Contact — Copper alloy, 0.2µm min. gold plated on contact area, 0.1µm tin-lead plated or tin plated on soldering area, 1.3µm min. nickel underplated on entire contact, 0.1µm thick tin plated on grounding contact.

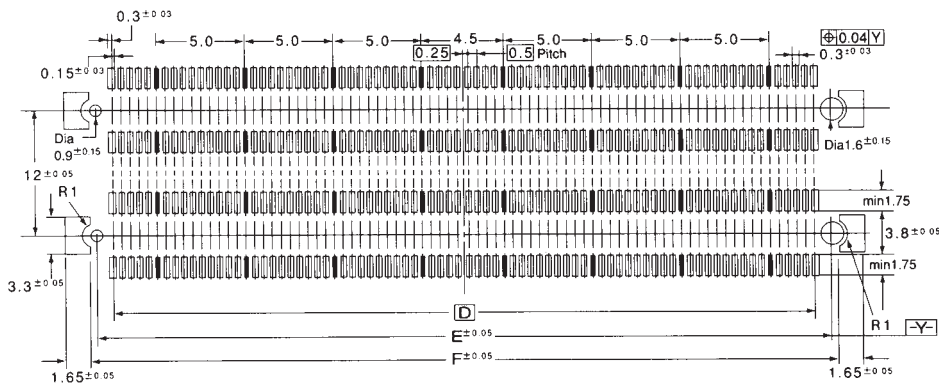
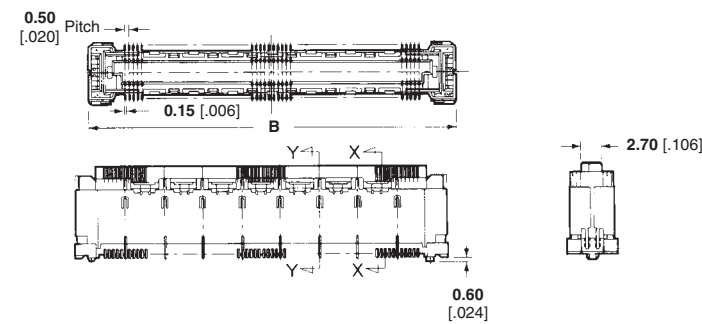
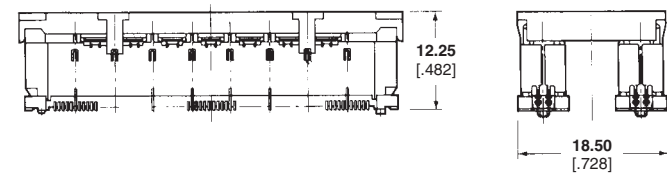
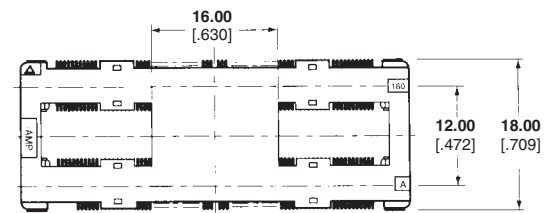


Section Y-Y (Grounding Position)



Section X-X (Signal Position)

0.5mm Free Height (FH) Connectors (Continued)



PC Board Layout (I= For Grounding Contact)

0.5mm Free Height (FH) Connectors

.5 mm FH Receptacle Assemblies with Bridge

Positions	Height	Dimensions						Ground Contact	SIF-200	With Pickup Cap	Packaging Type	Part Number
		A	B	C	D	E	F					
240	4	29.50 1.161	36.80 1.449	3.25 .128	37.80 1.488	6.20 .244	6.00 .236	Yes	—	Yes	Tape	5-6123675-9
320	12	39.50 1.555	46.80 1.843	11.25 .443	47.80 1.882	6.50 .256	6.30 .248	Yes	—	Yes	Hard Tray	6-5353649-2
440	4	54.50 2.146	61.80 2.433	3.25 .128	62.80 2.472	6.20 .244	6.00 .236	Yes	—	Yes	Hard Tray	3-1827231-6

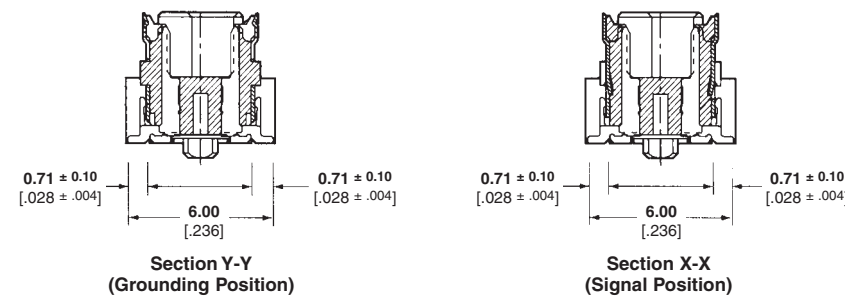
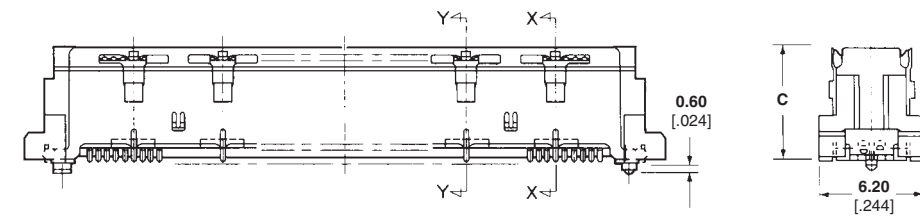
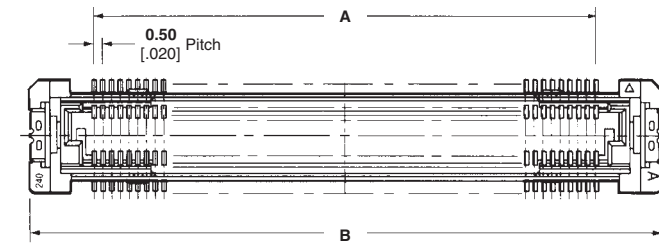
Note: Part Numbers are RoHS compliant.

0.5mm Free Height (FH) Connectors (Continued)

Plug Assembly

Material and Finish

Housing — UL94V-0, heat resistant resin, natural color
Contact — Copper alloy, 0.2µm min. gold plated on contact area, 0.1µm tin-lead plated or tin plated on soldering area, 1.3µm min. nickel underplated on entire contact, 0.1µm thick tin plated on grounding contact.



.5 mm FH Plug Assemblies

Positions	Height	Dimensions			Giga Ground Shield	SIF-200	With Pickup Cap	Packaging Type	Part Number
		A	B	C					
120	7	29.50	36.80	6.45	—	—	Yes	Tape	2-6473530-9
		1.161	1.449	.254	—	—			
160	8	29.50	36.80	7.45	—	—		Hard Tray	6376622-1
		1.161	1.449	.293	Yes	Yes	Yes	Hard Tray	6-5353706-2
200	5	39.50	46.80	7.45	Yes	—	Yes	Semi H/T	3-6612148-5
		1.555	1.843	.293	Yes	—	Yes	Hard Tray	6-6123766-5
220	7	49.50	56.80	6.45	Yes	—		Hard Tray	3-6565779-5
		1.949	2.236	.254	Yes	—	Yes	Semi H/T	3-1827253-6
240	8	49.50	56.80	7.45	Yes	—		Hard Tray	3-6318491-6
		1.949	2.236	.293	Yes	—	Yes	Hard Tray	3-5353614-7
240	6	54.50	61.80	4.45	Yes	—		Hard Tray	3-6473868-7
		2.146	2.433	.1175	Yes	—	Yes	Hard Tray	
240	6	59.50	66.80	5.45	Yes	—	Yes	Hard Tray	
		2.343	2.630	.215	—	—	Yes	Hard Tray	

Note: Part Numbers are RoHS compliant.

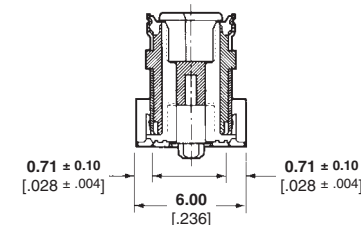
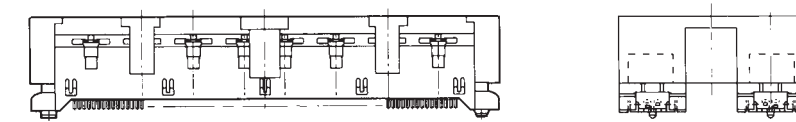
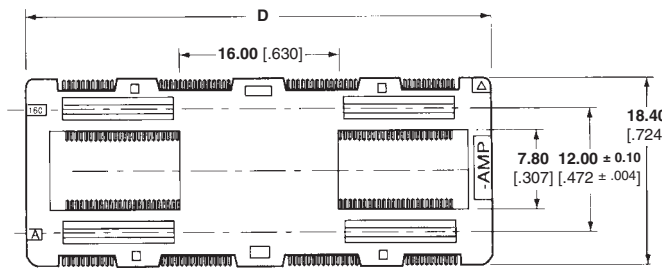
0.5mm Free Height (FH) Connectors (Continued)

Plug Assembly with Bridge

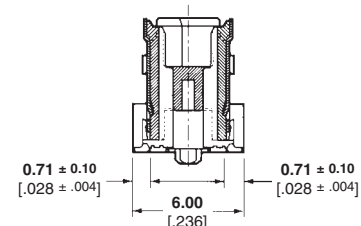
Material and Finish

Housing — UL94V-0, heat resistant resin, natural color

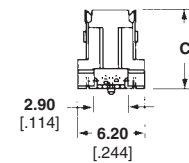
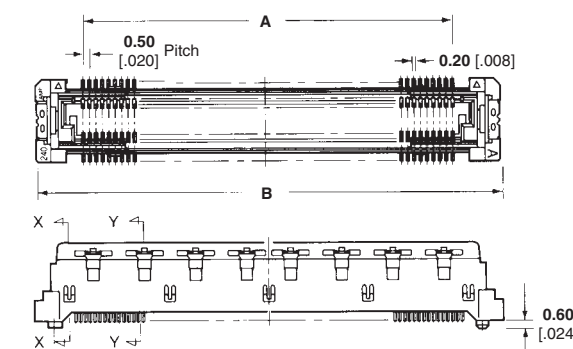
Contact — Copper alloy, 0.2µm min. gold plated on contact area, 0.1µm tin-lead plated or tin plated on soldering area, 1.3µm min. nickel underplated on entire contact, 0.1µm thick tin plated on grounding contact.



Section Y-Y
(Grounding Position)



Section X-X
(Signal Position)

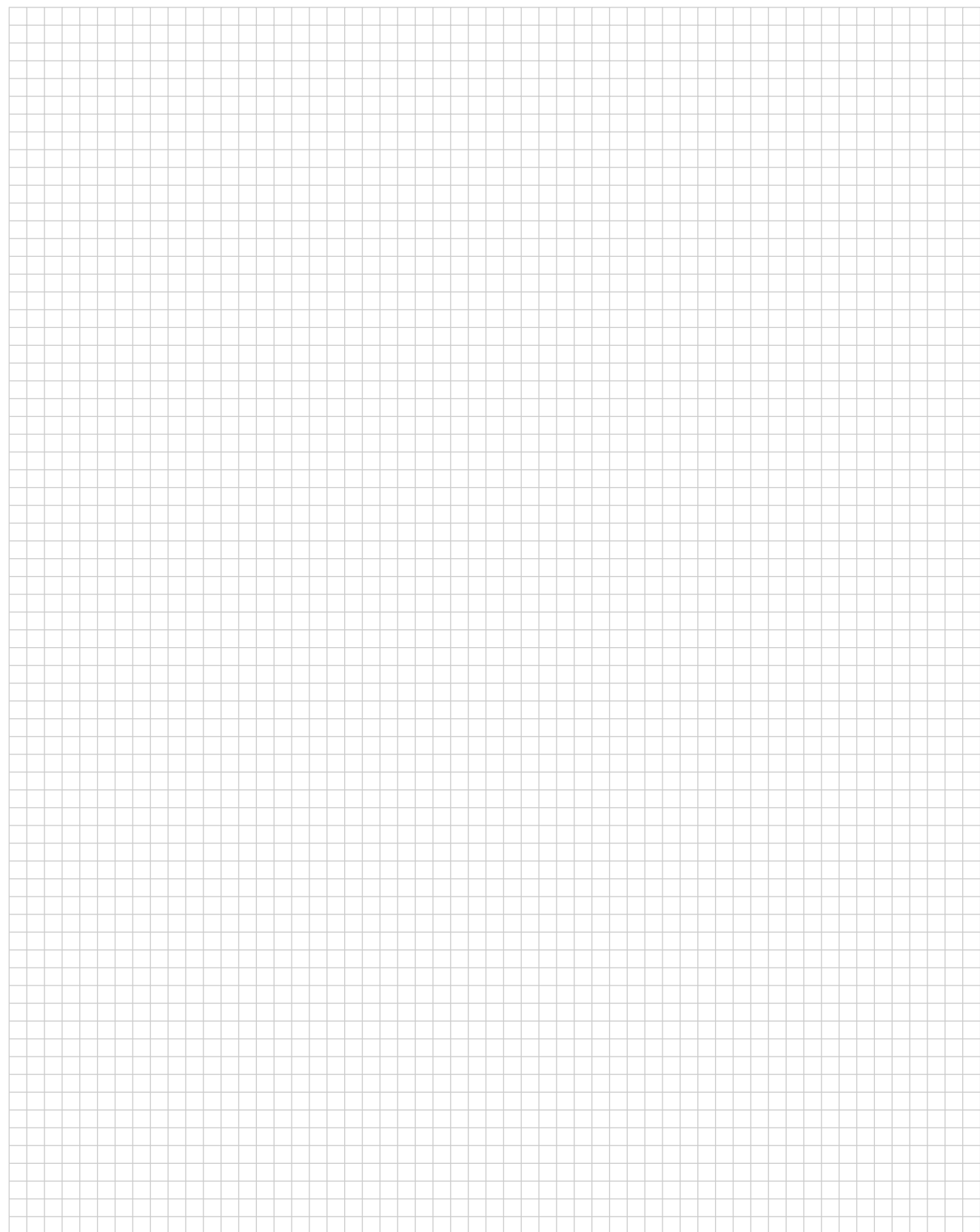


0.5mm Free Height (FH)
Connectors

.5 mm FH Plug Assemblies with Bridge

Positions	Height	Dimensions				Giga Ground Shield	SIF-200	With Pickup Cap	Packaging Type	Part Number
		A	B	C	D					
240	5	29.50	36.80	4.45	36.90	Yes	—	Yes	Tape	9-6123672-9
		1.161	1.449	.175	1.453					
240	5	29.50	36.80	4.45	36.90	Yes	—	Yes	Tape	5-6123672-9
		1.161	1.449	.175	1.453					
320	8	39.50	46.80	7.45	46.90	Yes	—	Yes	Hard Tray	6-5353652-2
		1.555	1.843	.293	1.846					
440	5	54.50	61.80	4.45	61.90	Yes	—	Yes	Hard Tray	3-1827233-6
		2.146	2.433	.175	2.437					
440	8	54.50	61.80	7.45	61.90	Yes	—	Yes	Hard Tray	3-5353652-6
		2.146	2.433	.293	2.437					

Note: Part Numbers are RoHS compliant.



X-ON Electronics

Largest Supplier of Electrical and Electronic Components

Click to view similar products for [Board to Board & Mezzanine Connectors](#) category:

Click to view products by [TE Connectivity](#) manufacturer:

Other Similar products are found below :

[10135583-642402LF](#) [89885-310LF](#) [589158040000018](#) [6-1393048-0](#) [68683-613](#) [MDF7-12DP-2.54DSA](#) [MDF7-18P-2.54DSA\(01\)](#) [MDF7-20DP-2.54DSA](#) [MDF7-26D-2.54DSA\(55\)](#) [MDF7-3P-2.54DSA\(01\)](#) [MDF7B-20P-2.54DSA\(01\)](#) [MDF7B-3P-2.54DSA\(55\)](#) [MDF7C-18P-2.54DSA\(55\)](#) [MDF7P-5P-2.54DSA\(55\)](#) [75234-0516](#) [FCN-230C068-11](#) [FCN-268F012-G/BD](#) [FCN-268F036-G/BD](#) [FCN-268M012-G/0D](#) [FCN-268M024-G/1D](#) [FCN-360C008-C](#) [FCN-723J004/1](#) [MIS-048-01-F-D-DP-K](#) [832-10-034-10-001000](#) [93696-325LF](#) [11828-1FA](#) [AXK630345P](#) [18097-0013](#) [2007042-2](#) [304400-2](#) [FCN-214Q030-G/0](#) [FCN-215Q040-G/0](#) [FCN-230C068-ESA](#) [FCN-234P048-G/0](#) [FCN-235D050-G/C](#) [FCN-360A3](#) [FCN-360C040-B](#) [210-93-314-41-105000](#) [2-22603-0](#) [379-064-521-202](#) [MDF7-12P-2.54DSA\(01\)](#) [MDF7-16P-2.54DS\(56\)](#) [MDF7-16P-2.54DSA\(55\)](#) [MDF7-40DP-2.54DSA\(55\)](#) [MDF7-8P-2.54DSA\(55\)](#) [AXG720047](#) [5031084030](#) [55323-1519](#) [DF33-2P-3.3DSA\(24\)](#) [DF33-2S-3.3C](#)