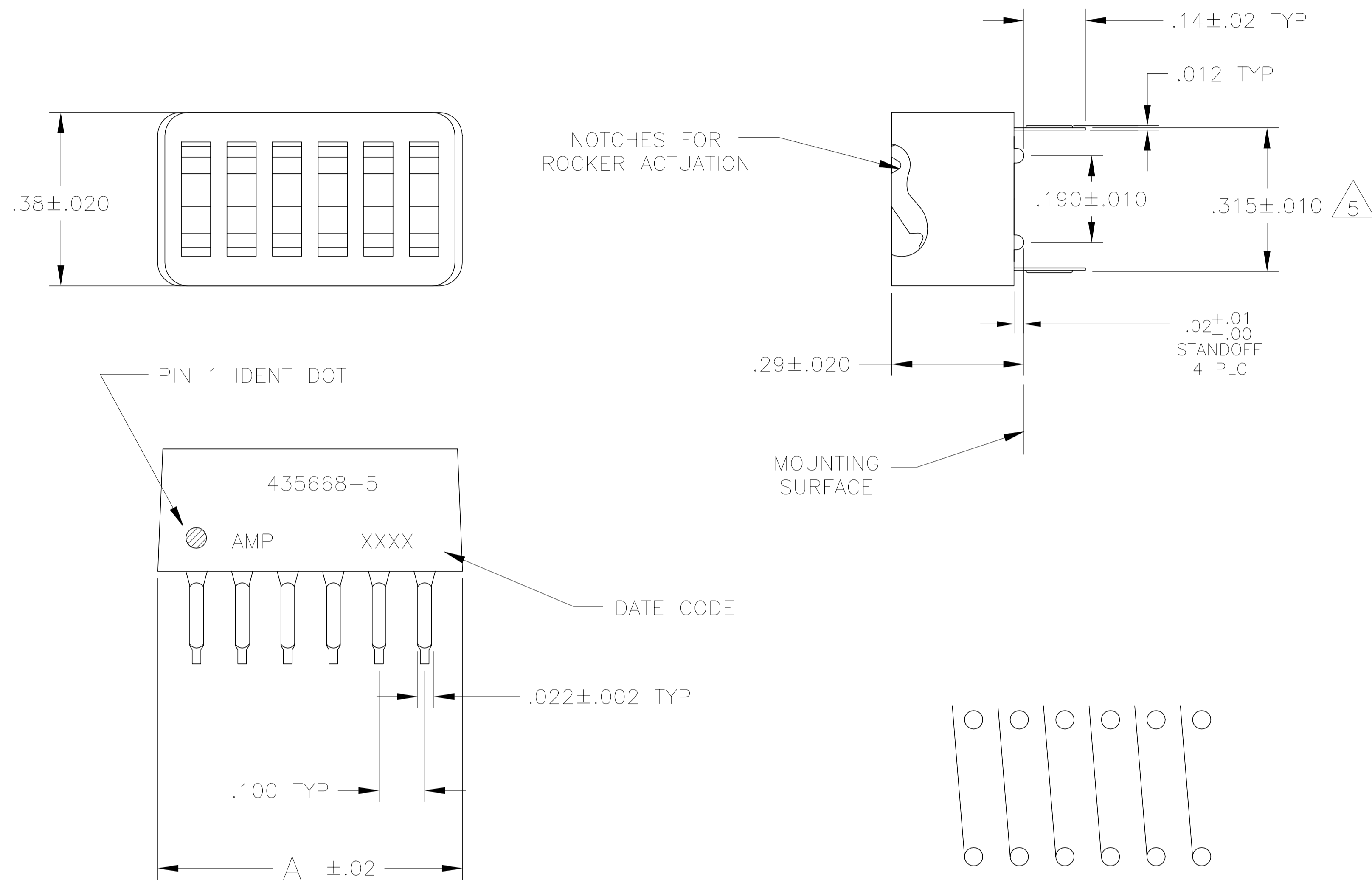


REVISIONS					
P	LTR	DESCRIPTION	DATE	DWN	APVD
	B	ECO-20-004897	24AUG2020	SB	JB



- FOR ADDITIONAL SPECIFICATIONS SEE AMP PRODUCT SPEC 108-7532.
- SWITCH SHOWN IN OPEN POSITION.
- ALL CHARACTERS AND ROCKERS ARE WHITE, HOUSING IS BLUE.
- LASER MARKING WILL VARY ON 2 AND 3 POSITION SIDES DUE TO SPACE RESTRICTIONS.
- .315 DIMENSION APPLIES AT TERMINAL TIPS. TERMINALS ARE .300 +.010 AT MOUNTING SURFACE. -.000
- ALL MATERIALS AND FINISHES SHALL COMPLY WITH EU DIRECTIVE 2002 /95/EC OF 27JAN2003 (ROHS).
- MATERIAL: HOUSING AND ROCKERS - POLYESTER CONTACT & SOLDER LEAD - COPPER ALLOY
- FINISH: CONTACT - GOLD OVER NICKEL SOLDER LEAD - TIN OVER NICKEL
- OBSOLETE PARTS: OBSOLETE CIS STREAMLINING PER D.RENAUD/D.SINISI
- MARKS WILL BE ADDED BY LASER MARK PROCESS.

C

B

A

CONTACT ARRANGEMENT

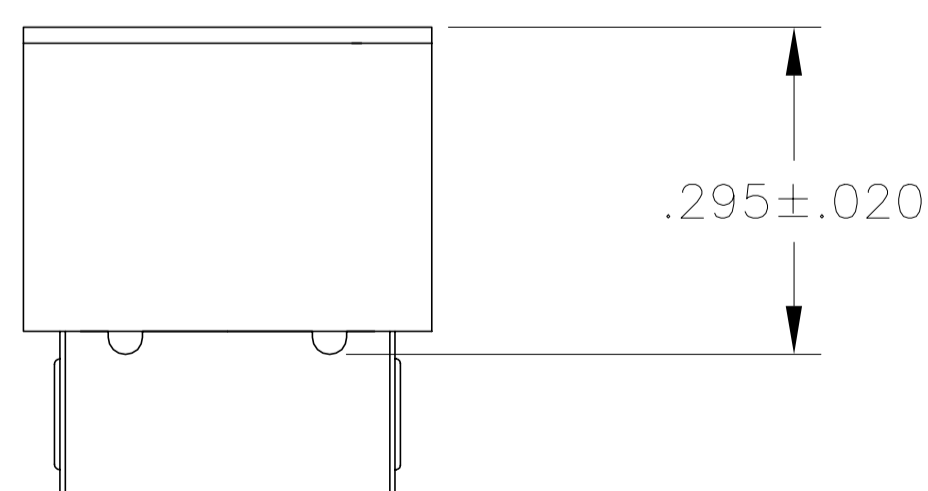
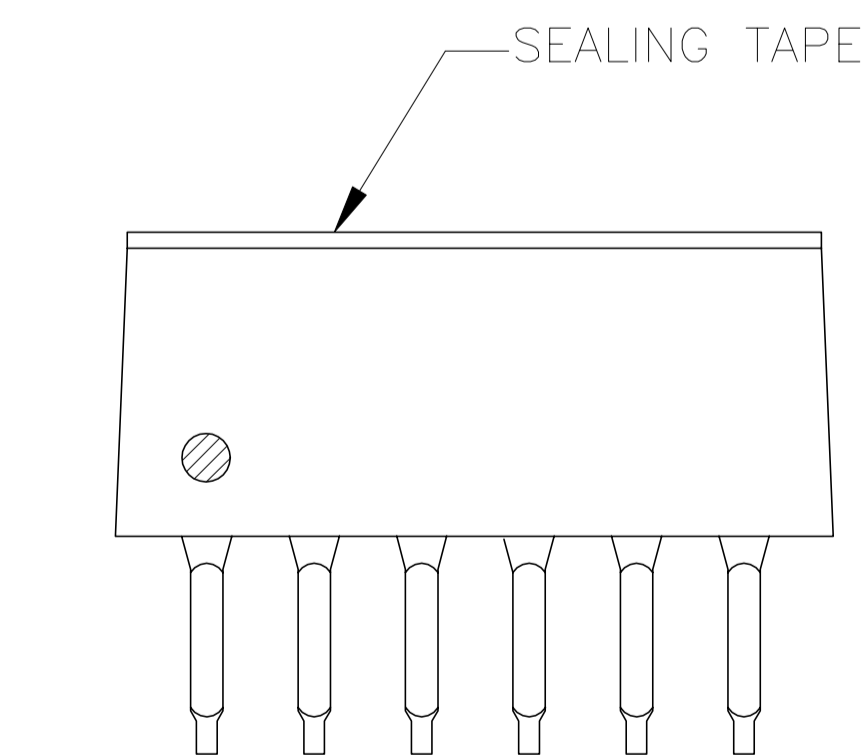
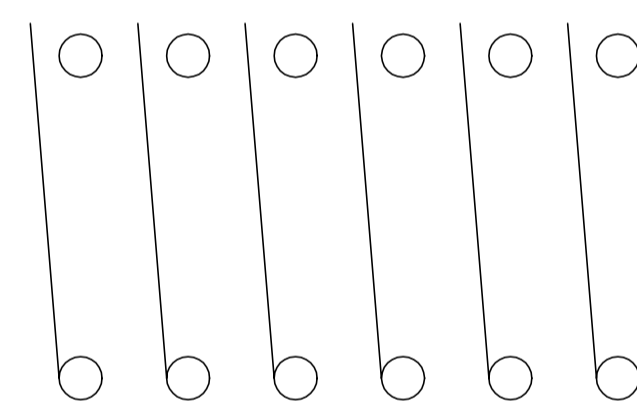


FIG 1

FIG	DESCRIPTION	DATE	BY	CHK	REV	DESCRIPTION	
9	OBSOLETE	FIG 7					
FIG 1		.58	5			8-5435668-7	
		.58	5			3-5435668-5	
		.48	4			3-5435668-4	
		.38	3			3-5435668-3	
		1.28	12			3-5435668-2	
		1.18	11			3-5435668-1	
		1.08	10			3-5435668-0	
		.98	9			2-5435668-9	
		.88	8			2-5435668-8	
		.78	7			2-5435668-7	
FIG 2		.28	2			2-5435668-6	
		.68	6			2-5435668-5	
		1.08	10			5435668-9	
		.88	8			5435668-7	
		.68	6			5435668-5	
		.58	5			5435668-4	
		.48	4			5435668-3	
		.28	2			5435668-1	
	9	OBSOLETE					

THIS DRAWING IS A CONTROLLED DOCUMENT.		DWN BSV	08JAN05	TE TE Connectivity Ltd.	
DIMENSIONS: INCHES		CHK -	APVD -		
TOLERANCES UNLESS OTHERWISE SPECIFIED:		PRODUCT SPEC		NAME	
0 PLC ± -		-		SWITCH ASSY, DIP, TYPE C, 7100 SERIES, SPST, LOW PROFILE	
1 PLC ± -		-		-	
2 PLC ± -		-		-	
3 PLC ± .005		-		-	
4 PLC ± -		-		-	
ANGLES ± -		-		-	
MATERIAL	FINISH	WEIGHT	SIZE	CAGE CODE	DRAWING NO
7	8	-	A2	00779	C=5435668
CUSTOMER DRAWING			SCALE	SHEET	REV
			4:1	1 of 2	B

REVISIONS					
P	LTR	DESCRIPTION	DATE	DWN	APVD
-	-	SEE SHEET 1	-	-	-

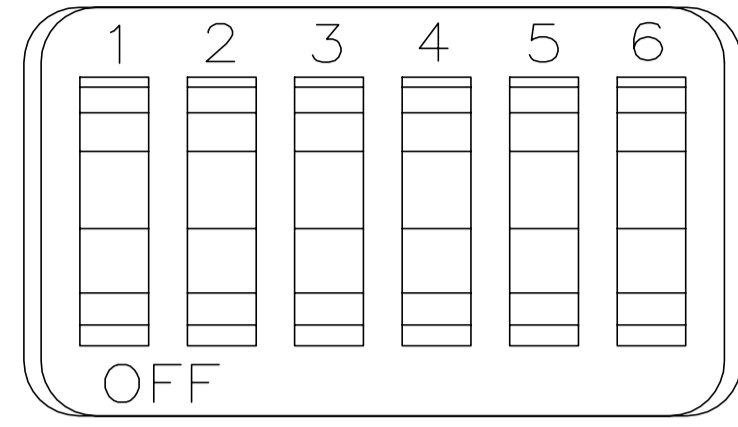


FIG 2

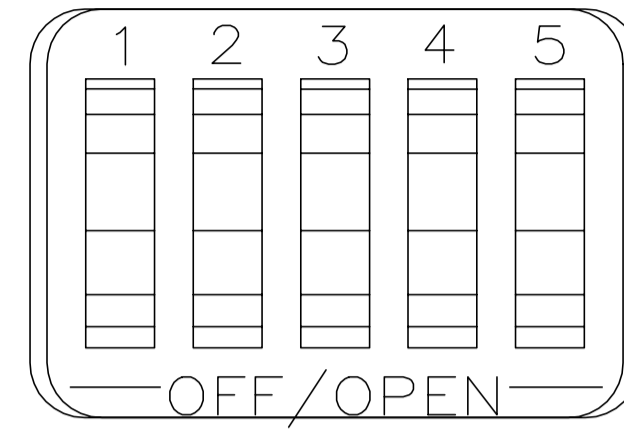


FIG 7

D

C

B

A

5435668

THIS DRAWING IS A CONTROLLED DOCUMENT.		DWN BSV	08JAND05	TE Connectivity Ltd.			
DIMENSIONS: INCHES		CHK	-				
		TOLERANCES UNLESS OTHERWISE SPECIFIED:		APVD - NAME			
		0 PLC ± -	PRODUCT SPEC	SWITCH ASSY, DIP, TYPE C, 7100 SERIES, SPST, LOW PROFILE			
		1 PLC ± -	APPLICATION SPEC	SIZE	CAGE CODE	DRAWING NO	RESTRICTED TO
		2 PLC ± -	WEIGHT	A2	00779	C=5435668	-
MATERIAL -		FINISH -		CUSTOMER DRAWING			
				SCALE	4:1		
				SHEET	2 of 2		
				REV	B		

X-ON Electronics

Largest Supplier of Electrical and Electronic Components

Click to view similar products for [DIP Switches/SIP Switches](#) category:

Click to view products by [TE Connectivity](#) manufacturer:

Other Similar products are found below :

[78M03S](#) [79B10T](#) [8136-475G4T](#) [G7G-1A2-CB-DC12](#) [H7CZL8AC100240](#) [A7SS-M](#) [A8CA-201](#) [DRR60016](#) [DRS4016](#) [1825008-1](#) [1825444-1](#) [25.350.0653.0](#) [SBS 5004 TG](#) [SDA10H1BDA](#) [97R06ST](#) [A2C-2A5](#) [1825444-7](#) [ADE08SA04](#) [ADE12S04](#) [192960010](#) [2-1825058-8](#) [25.330.0653.1](#) [25.352.0353.0](#) [CXDRIVEV2X](#) [IKN0600000](#) [IKN0800000](#) [LA2-002-DC24](#) [DBS1003](#) [438872000](#) [DRD10CRAE04](#) [DSR02T](#) [DSS 208 N](#) [E2FMX2D1M1TGJ03M](#) [NDI10H](#) [219-9MSTP](#) [204-6ES](#) [EPM02FV](#) [701521596](#) [NDS08V](#) [76SB05](#) [79A10](#) [TD06H0SK1](#) [Z7.255.9027.0](#) [1-1825058-3](#) [1825428-4](#) [219-10LPSTF](#) [E3ZG6111D03M](#) [G4D212PUSTV2DC5](#) [NDI05H](#) [EPG301BT06](#)