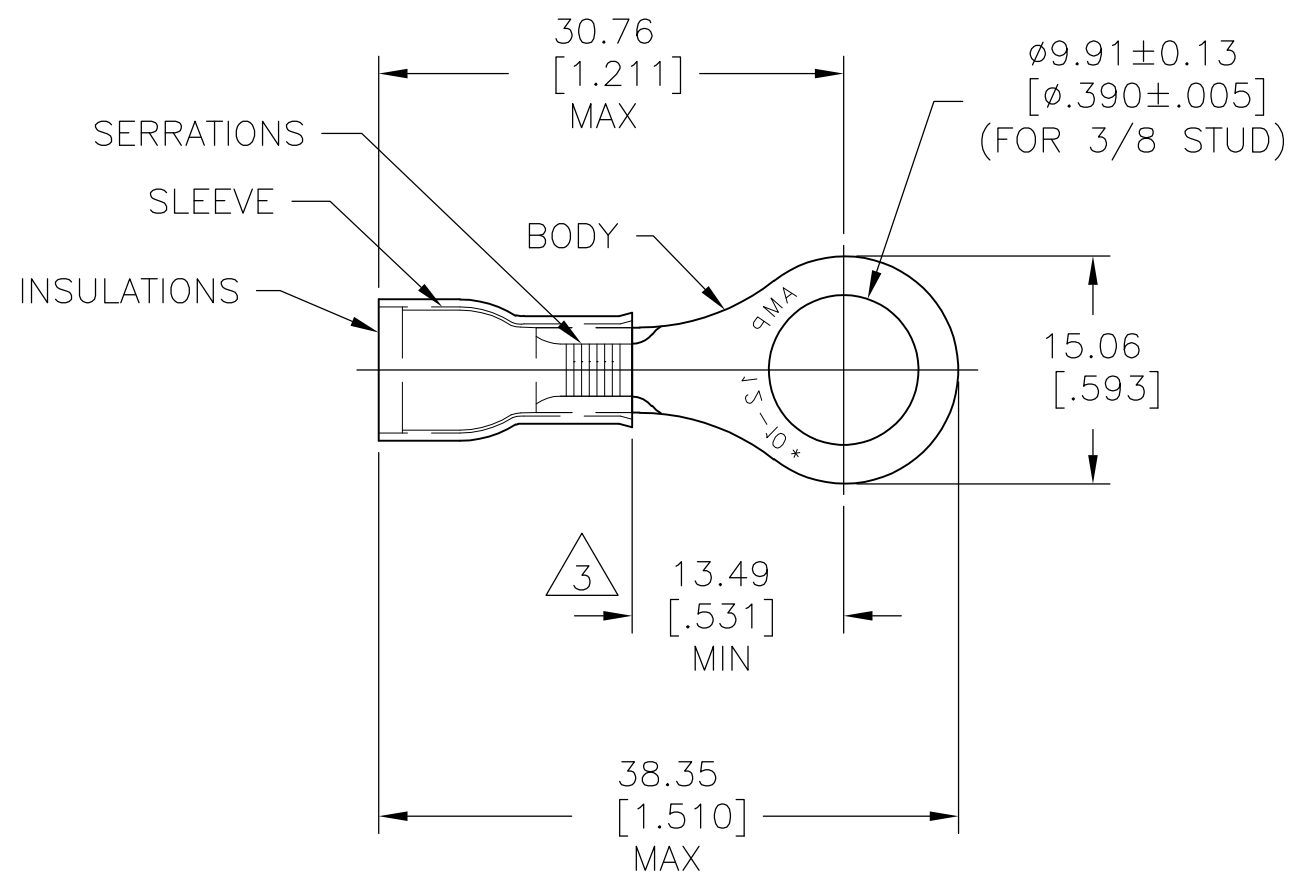


THIS DRAWING IS UNPUBLISHED. RELEASED FOR PUBLICATION
 © COPYRIGHT BY TYCO ELECTRONICS CORPORATION. ALL INTERNATIONAL RIGHTS RESERVED.

LOC	DIST	REVISIONS					
		P	LTR	DESCRIPTION	DATE	DWN	APVD
G	14		C1	REVISED PER ECR-09-009459	11JUN09	HMR	JR

- 1 FOR 4.32[.170] TO 7.62[.300] WIRE INSULATION DIA
- 2 TONGUE MATERIAL THK 1.02±0.05[.040±.002]
- △ 3 APPLIES FROM EDGE OF METAL BARREL TO CENTERLINE OF STUD HOLE.



QTY	DESCRIPTION	MATERIAL & FINISH	PART NO
1	35478 ON TAPE	SLEEVE: COPPER ASTM-B152 BODY: COPPER ASTM-B152 TIN PL ASTM-B545	1-35478-0
1	WIRE TERMINAL	INSULATION: PVC COLOR: YELLOW	35478

THIS DRAWING IS A CONTROLLED DOCUMENT.		DWN RAGHAVEDRA 11JUN09	Tyco Electronics Corporation Harrisburg, PA 17105-3608	
DIMENSIONS: mm [INCHES]		CHK JEFF RUTH 11JUN09	NAME WIRE TERMINAL PIDG - RING TONGUE WIRE SIZE: 12-10	
TOLERANCES UNLESS OTHERWISE SPECIFIED:		APVD TOM MICHIELUTTI 11JUN09	SIZE A3 CAGE CODE 00779 DRAWING NO C-35478 RESTRICTED TO -	
0 PLC ± -		PRODUCT SPEC -	SCALE 2:1 SHEET 1 OF 1 REV C1	
1 PLC ± -		APPLICATION SPEC -		
2 PLC ± -		WEIGHT -		
3 PLC ± 0.20[.008]		CUSTOMER DRAWING		
4 PLC ± -				
ANGLES ± .5°				
FINISH -				

X-ON Electronics

Largest Supplier of Electrical and Electronic Components

Click to view similar products for [Terminals](#) category:

Click to view products by [TE Connectivity](#) manufacturer:

Other Similar products are found below :

[00-054007-01074-6](#) [00-054007-70206-1](#) [00-054007-70210-8](#) [00-054007-70217-7](#) [00-054007-70226-9](#) [00-054007-70228-3](#) [00-054007-70248-1](#) [00-054007-70256-6](#) [00-054007-70301-3](#) [00-054007-70316-7](#) [0-0320562-0](#) [00-054007-49560-4](#) [00-054007-70209-2](#) [00-054007-70225-2](#) [00-054007-70227-6](#) [00-054007-70231-3](#) [00-054007-70241-2](#) [00-054007-70242-9](#) [00-054007-70244-3](#) [00-054007-70246-7](#) [00-054007-70263-4](#) [00-054007-70288-7](#) [00-054007-70290-0](#) [00-054007-70300-6](#) [00-054007-70304-4](#) [01-2065-1-0216](#) [01-2900-1-04412](#) [00581P0075](#) [600TS-10](#) [60205-1](#) [604200-1](#) [605601-1](#) [60598-1-CUT-TAPE](#) [61314-6-C](#) [61810-3](#) [61-S](#) [61-SN](#) [626-0194](#) [62-NBM-A](#) [62-SN](#) [62-SP](#) [63-S](#) [640179-1](#) [M55155/059I03](#) [M55155/079C01](#) [M55155/099H02](#) [M55155/109H01](#) [M55155/109H02](#) [M55155/12XH05](#) [M55155/16XH02](#)