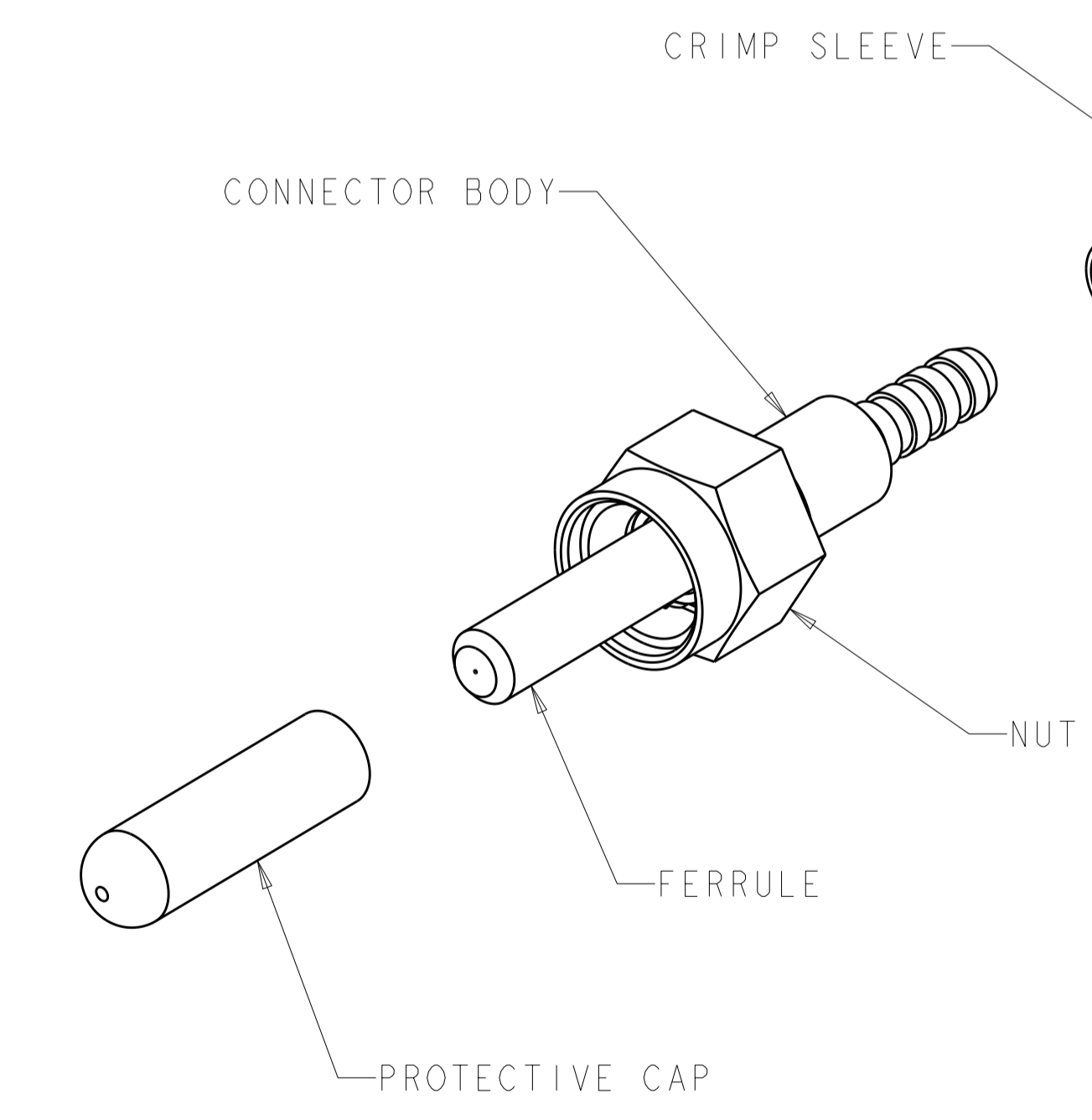
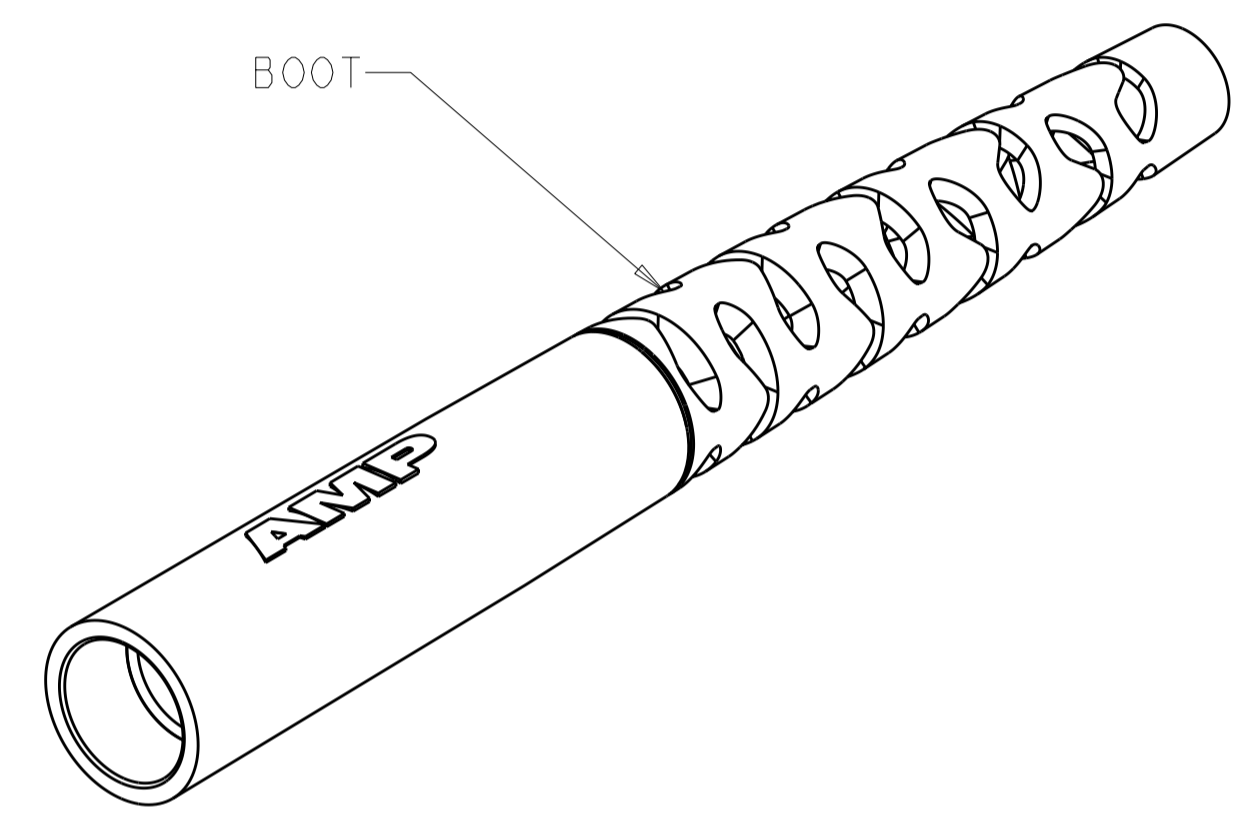
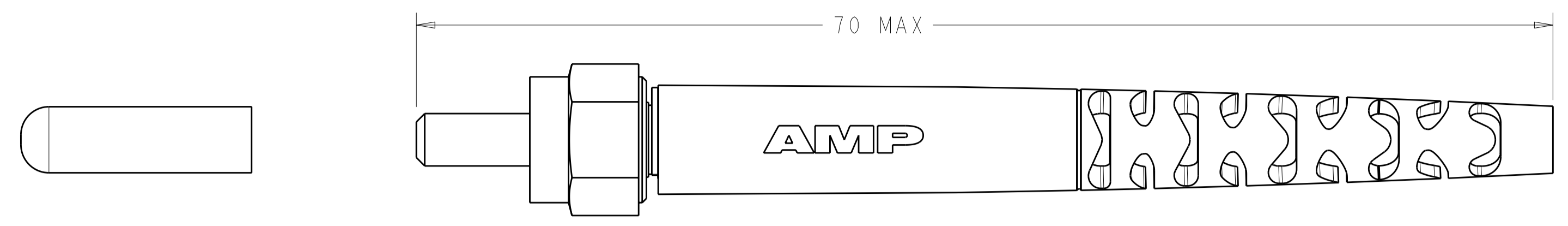


THIS DRAWING IS UNPUBLISHED. RELEASED FOR PUBLICATION 20
 © COPYRIGHT 20 ALL RIGHTS RESERVED.

LOC	DIST	REVISIONS					
CE	00	P	LTR	DESCRIPTION	DATE	DWN	APVD
		CI		REVISE PER ECO-11-005139	29APR2011	RK	HMR



- △ MATERIAL:
- CONNECTOR ASSEMBLY:
- FERRULE: STAINLESS STEEL
- REAR BODY: BRASS, NICKEL PLATED
- COUPLING NUT: BRASS, NICKEL PLATED
- CRIMP EYELET: BRASS, NICKEL PLATED
- BOOT: POLYOLEFIN ELASTOMER, COLOR: BLACK*
- PROTECTIVE CAP: VINYL, COLOR: RED
- *UL94 V-0 RATED AT QUALIFYING THICKNESS.
- 2. COUPLING NUT NORMAL TIGHTENING TORQUE RANGE IS 7.0 TO 10.0 in-lbf. DO NOT EXCEED 20 in-lbf.
- ③ CRIMP SLEEVE AND BOOT NOT SUPPLIED.

③	1.48mm	4-5504566-3
	635um	4-5504566-2
	.042 in	3-5504566-1
	.039 in	3-5504566-0
	641um	2-5504566-8
	336um	1-5504566-4
	231um	5504566-7
	140um	5504566-2
	125um	5504566-1
	FIBER HOLE SIZE	PART NUMBER

THIS DRAWING IS A CONTROLLED DOCUMENT.		DWN B. BRIGGS 16 JUN 2005	STE TE Connectivity
		CHK L. SAUERWEIN 16 JUN 2005	
		APVD S. BUCHTER 16 JUN 2005	
		PRODUCT SPEC	
DIMENSIONS:		NAME CONNECTOR KIT, SMA 905, STAINLESS STEEL FRONT BODY, BRASS REAR BODY, 3.1mm CABLE	
mm	TOLERANCES UNLESS OTHERWISE SPECIFIED:	SIZE CAGE CODE DRAWING NO	
	0 PLC ±	A200779 C-5504566	
	1 PLC ±	RESTRICTED TO	
	2 PLC ±	-	
	3 PLC ±	-	
	4 PLC ±	-	
	ANGLES ±	SCALE 4:1 SHEET OF 1 REV C1	
	FINISH	CUSTOMER DRAWING	

X-ON Electronics

Largest Supplier of Electrical and Electronic Components

Click to view similar products for [Fiber Optic Connectors](#) category:

Click to view products by [TE Connectivity](#) manufacturer:

Other Similar products are found below :

[0004700001](#) [6100-R](#) [6313](#) [F709034706](#) [F709722200](#) [F718183204](#) [F727403500](#) [F727752800](#) [FCXO-12-3BY](#) [FO-SCREW\(M2X6\)](#) [9440F20-27S-190](#) [944-120-6001](#) [944-125-6003](#) [9441F10SL-3S](#) [9446F10SL-4S](#) [953-101-5310-P](#) [954-101-57202B](#) [A0270169](#) [12-9122](#) [12-5702](#) [143025NC](#) [AX101713](#) [AX102420](#) [AX103923](#) [AX104141](#) [AX104193](#) [AX104228](#) [AX104230](#) [AX104562](#) [AX105203-B25](#) [AX105205-S1](#) [EHSC2M](#) [17-300800](#) [181-011-126](#) [BT34IW](#) [HRFCP-HSCJ-1\(61\)](#) [HRFC-R2\(40\)](#) [NKSOPBUY](#) [20500002116](#) [2064996-1](#) [20800001065](#) [2170](#) [9132](#) [2612](#) [2620](#) [9291](#) [9440F18-19S](#) [9440F20-14P](#) [9440F20-14PW](#) [9440W18-1S](#)