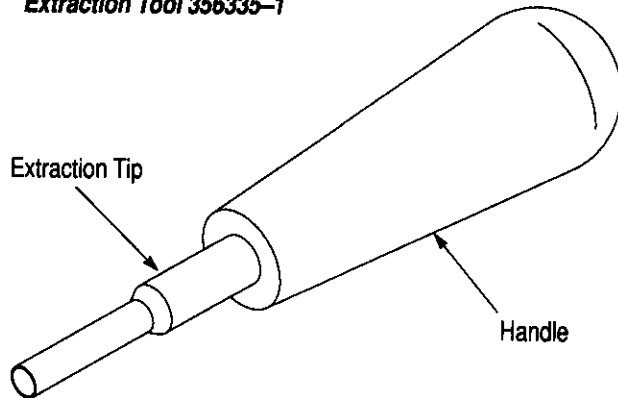


Extraction Tool 356335-1



CONTACT PART NUMBER	HOUSING PART NUMBER		
194032-[]	194069	194180	766123
194189-[]	194070	194182	766124
	194071	194183	

Figure 1

1. INTRODUCTION

AMP* Extraction Tool 356335-1 is designed to extract 3 mm AMPOWER* Multi Pin Plus and AMPOWER Wave Crimp Hybrid pins and sockets from connector housings. See Figure 1 for a list of applicable contact

and housing part numbers. Read this sheet carefully before using the tool.

NOTE Dimensions on this sheet are in millimeters [with inch equivalents in brackets]. Figures and illustrations are for identification only, and are not drawn to scale.

Reasons for reissue are provided in Section 5, REVISION SUMMARY.

2. DESCRIPTION

The extraction tool is designed to enter the contact cavity in front (mating face) of the connector and fit over the pin and socket contacts. The tool tip depresses the retaining springs of the contact, allowing the contact to slide freely from the housing during extraction.

Contacts are removed from the wire-entry face.

3. EXTRACTION PROCEDURES (Figure 2)

1. Grasp the wire in the back and push forward on it, thereby forcing the contact toward the mating face of the housing.
2. Continue to push on the wire. Slide the tip of the extraction tool into the contact cavity and over the contact to be removed, keeping it aligned with the cavity.

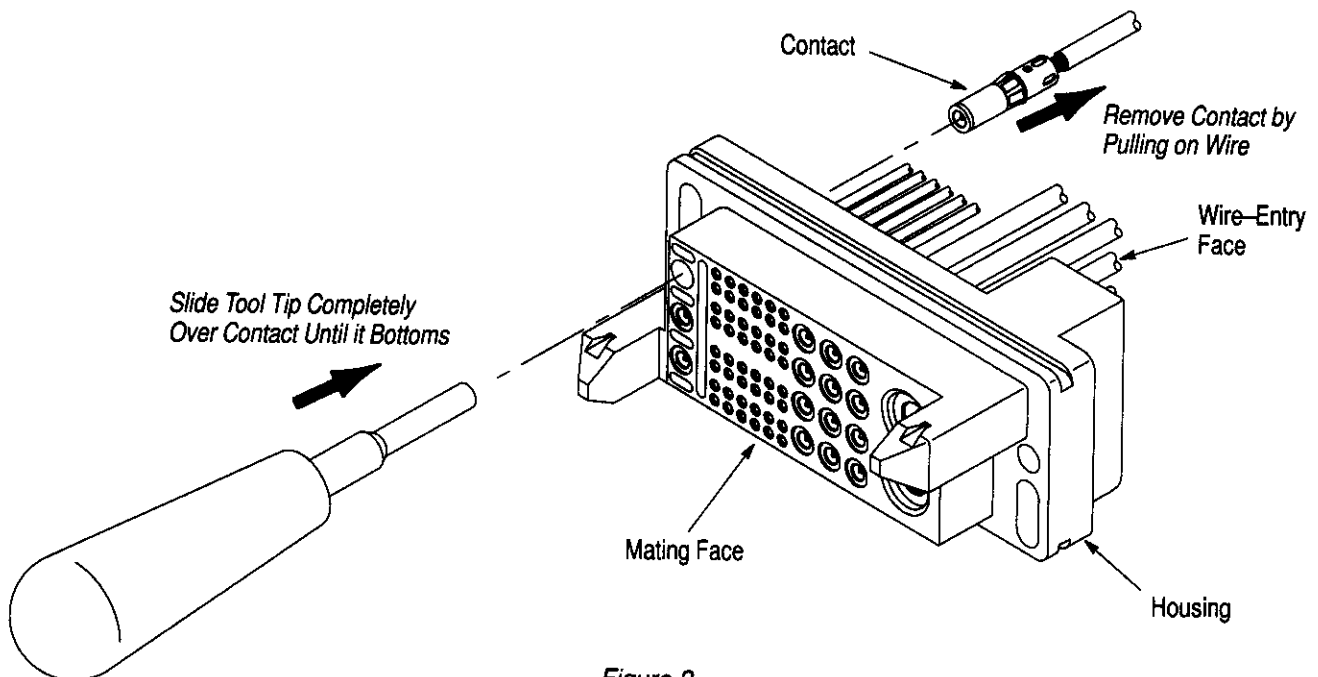


Figure 2

3. While maintaining pressure on the wire, slide the tool tip completely over the contact until it bottoms. The contact may now be extracted by pulling on the wire and removing it from the connector.

CUSTOMER SERVICE (38-35)
AMP INCORPORATED
P.O. BOX 3608
HARRISBURG, PA 17105-3608

4. MAINTENANCE AND INSPECTION

To ensure proper operation, it is recommended that the tool be inspected immediately on its arrival and at regularly scheduled intervals. The tool is not repairable and should be replaced when worn or damaged. It is recommended that the tool be stored in a clean, dry place and cleaned with a soft, lint-free cloth.

Additional tools can be purchased from:

5. REVISION SUMMARY

Since the previous release of this sheet, the following changes were made:

Per EC 0990-0344-97:

- Added and deleted part numbers in Figure 1.
- Added 3 mm to INTRODUCTION to clarify contact size.
- Changed crimp configuration of contact in Figure 2.

X-ON Electronics

Largest Supplier of Electrical and Electronic Components

Click to view similar products for [Extraction, Removal & Insertion Tools](#) category:

Click to view products by [TE Connectivity](#) manufacturer:

Other Similar products are found below :

[M8196914-08](#) [768211-2](#) [809-131](#) [844751-2](#) [8-59558-2](#) [91018-1](#) [12014013](#) [12093647](#) [1-21048-0](#) [R282867020](#) [12093078](#) [1-21048-6](#)
[12121897](#) [DCF.91.405.5LT](#) [1322](#) [15314260](#) [15350698](#) [15350707](#) [15430130](#) [1579018-4](#) [1643916-1](#) [1-679532-0](#) [1976593-3](#) [OUTEXT-0321](#)
[2-1579008-3](#) [2-1579008-4](#) [229694-7](#) [231106-1](#) [241469](#) [91040-3](#) [91040-7](#) [965004-000](#) [965069-000](#) [1738219-1](#) [ET-JL05-16](#) [FG 0300 146](#)
[3000](#) [FIT-6](#) [210S048](#) [2-1579007-9](#) [231879-1](#) [312138-3](#) [RJ11FODE](#) [356-162](#) [M8196914-10](#) [4-1579018-0](#) [430395-001](#) [483249-1](#) [5-](#)
[1579007-2](#) [5-1579007-9](#) [BPR10](#)