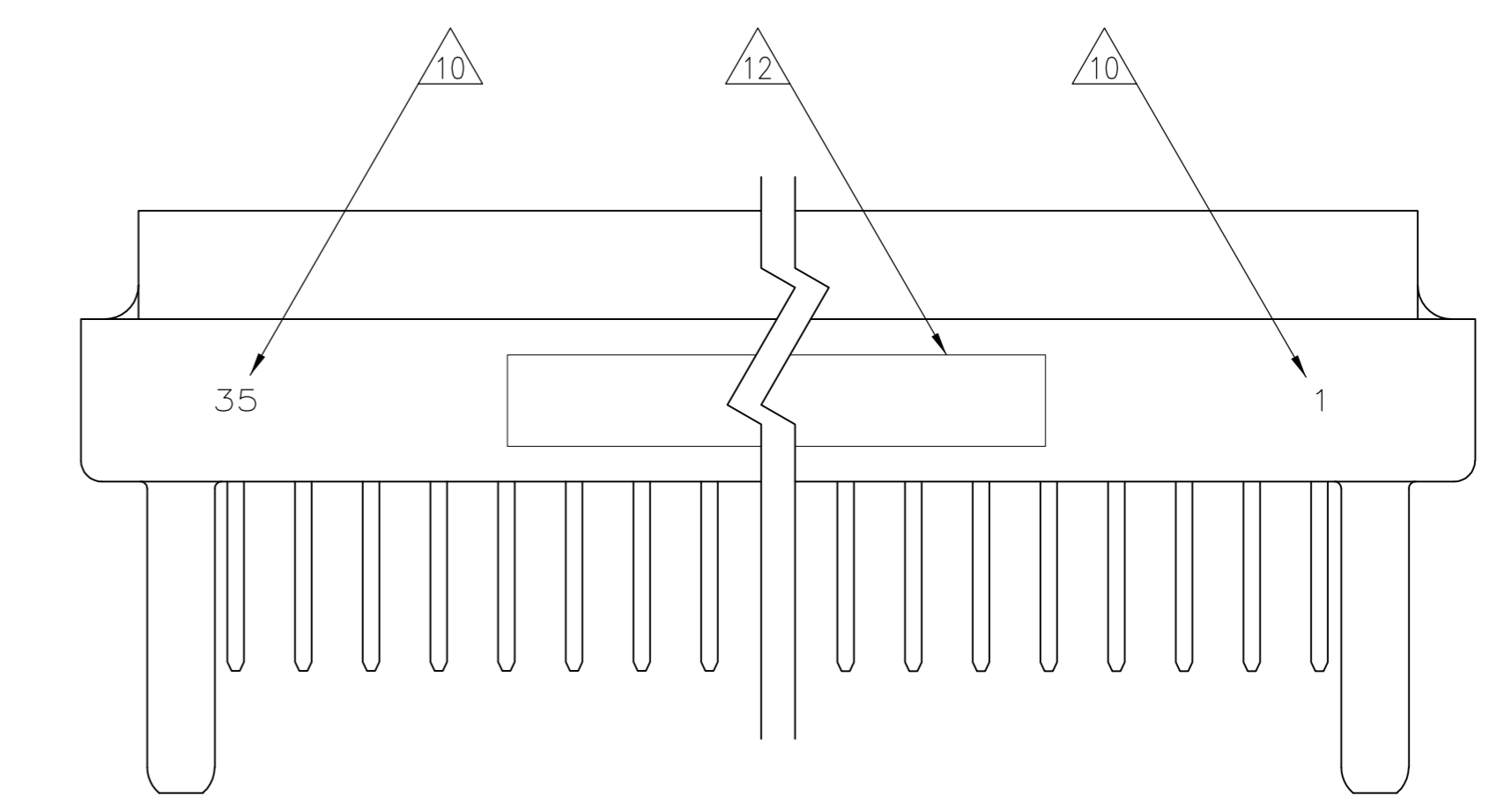
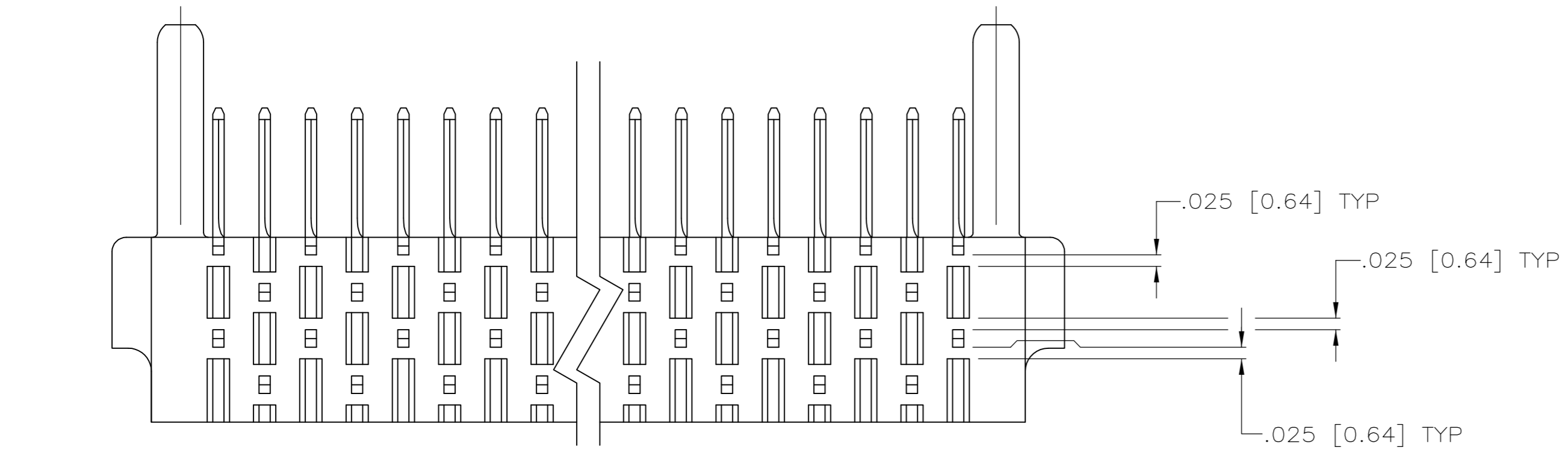
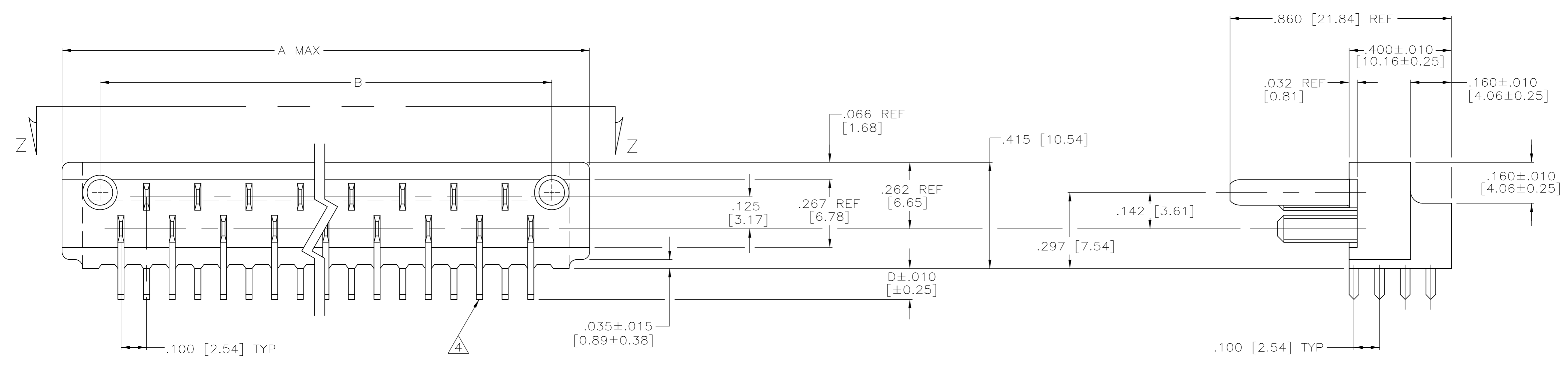


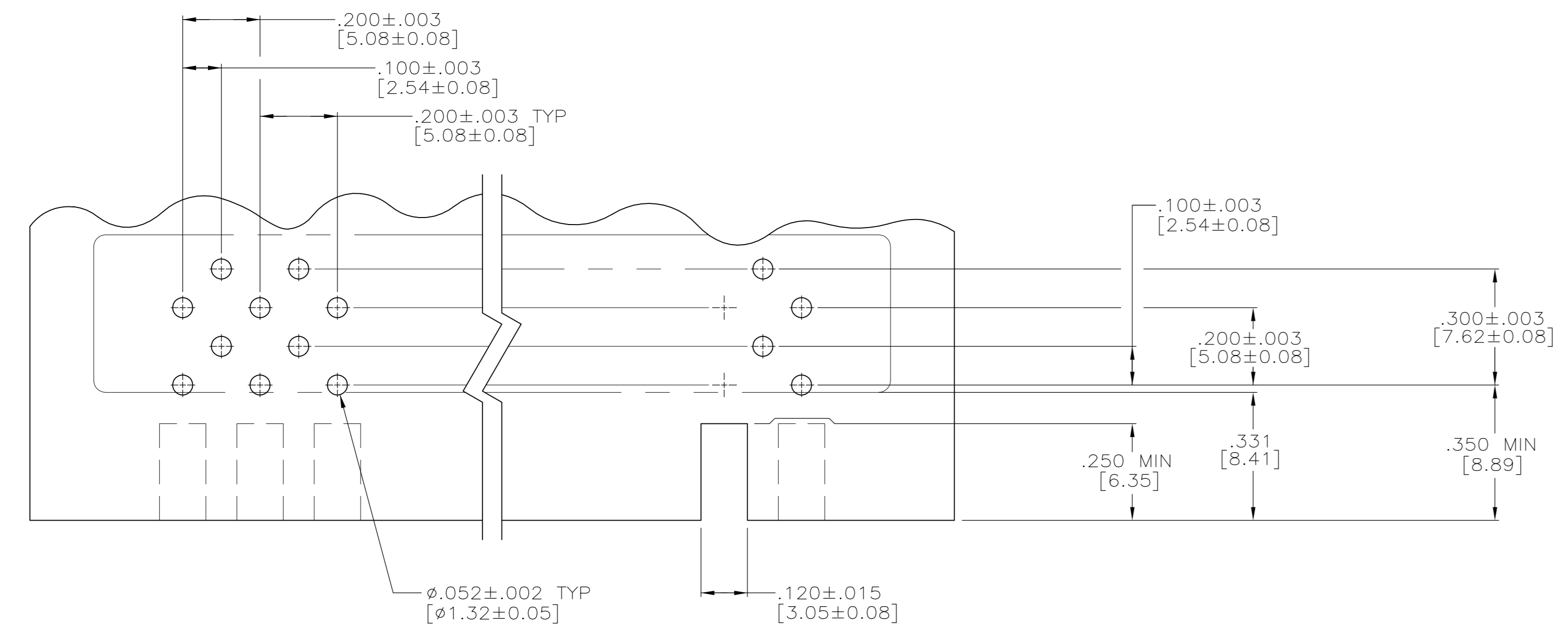
OBSOLETE	1 & 35	.0625	.120	3.564	3.870	35	7	582390	4		
OBSOLETE		.125	.183	4.764	5.070	47	6	582390	6		
OBSOLETE		.125	.183	4.164	4.470	41	6	582390	5		
OBSOLETE		.125	.183	3.564	3.870	35	6	582390	4		
OBSOLETE		.125	.183	2.964	3.270	29	6	582390	3		
OBSOLETE		.125	.183	2.364	2.670	23	6	582390	2		
OBSOLETE		.125	.183	1.764	2.070	17	6	582390	1		
OBSOLETE		.0937	.152	4.764	5.070	47	5	582390	6		
OBSOLETE		.0937	.152	4.164	4.470	41	5	582390	5		
OBSOLETE		.0937	.152	3.564	3.870	35	5	582390	4		
OBSOLETE		.0937	.152	2.964	3.270	29	5	582390	3		
OBSOLETE		.0937	.152	2.364	2.670	23	5	582390	2		
OBSOLETE		.0937	.152	1.764	2.070	17	5	582390	1		
OBSOLETE		.0625	.120	4.764	5.070	47	4	582390	6		
		.0625	.120	4.164	4.470	41	4	582390	5		
		.0625	.120	3.564	3.870	35	4	582390	4		
OBSOLETE		.0625	.120	2.964	3.270	29	4	582390	3		
OBSOLETE		.0625	.120	2.364	2.670	23	4	582390	2		
OBSOLETE		.0625	.120	1.764	2.070	17	4	582390	1		
OBSOLETE		.125	.381	.183	5.363	4.764	5.623	47	3	582390	6
		.125	.265	.183	4.530	4.164	4.790	41	3	582390	5
OBSOLETE		.125	.265	.183	3.930	3.564	4.190	35	3	582390	4
OBSOLETE		.125	.265	.183	3.330	2.964	3.590	29	3	582390	3
OBSOLETE		.125	.265	.183	2.730	2.364	2.990	23	3	582390	2
OBSOLETE		.125	.265	.183	2.130	1.764	2.390	17	3	582390	1
		.0937	.381	.152	5.363	4.764	5.623	47	2	582390	6
OBSOLETE		.0937	.265	.152	4.530	4.164	4.790	41	2	582390	5
		.0937	.265	.152	3.930	3.564	4.190	35	2	582390	4
		.0937	.265	.152	3.330	2.964	3.590	29	2	582390	3
OBSOLETE		.0937	.265	.152	2.730	2.364	2.990	23	2	582390	2
OBSOLETE		.0937	.265	.152	2.130	1.764	2.390	17	2	582390	1
OBSOLETE		.0625	.381	.120	5.363	4.764	5.623	47	1	582390	6
		.0625	.265	.120	4.530	4.164	4.790	41	1	582390	5
		.0625	.265	.120	3.930	3.564	4.190	35	1	582390	4
		.0625	.265	.120	3.330	2.964	3.590	29	1	582390	3
OBSOLETE		.0625	.265	.120	2.730	2.364	2.990	23	1	582390	2
		.0625	.265	.120	2.130	1.764	2.390	17	1	582390	1

RECOMMENDED P.C. BOARD LAYOUT

10 MARKING	P.C. BD. THICKNESS	E	D	C	B	A	NO. OF CONT.	PART NO.	THIS DRAWING IS A CONTROLLED DOCUMENT.	DWN: W. LEUFERT 26-JAN-05	Tyco Electronics Corporation						
									CHK: J.E. WARNER 14-MAR-91	Harrisburg, Pa 17105-3608							
DIMENSIONS: INCHES		TOLERANCES UNLESS OTHERWISE SPECIFIED:		PRODUCT SPEC		APPLICATION SPEC		SIZE		CAGE CODE		DRAWING NO		RESTRICTED TO			
0 PLC ± -		1 PLC ± -		2 PLC ± -		3 PLC ± -		4 PLC ± .005 [0.13]		ANGLES ± -		A1		00779		582390	
MATERIAL		FINISH		WEIGHT		SCALE		SHEET		1 OF 2		REV		P			
5-7						4:1											



VIEW Z-Z



RECOMMENDED P.C. BOARD LAYOUT

- TAB-HOUSING ASSEMBLY MATES WITH AMP P/N 3-582151 SERIES.
- BLADE CENTER LINE TO BE MEASURED FROM THE CENTER LINE FORMED BY THE ALIGNMENT PINS & AS LONG AS THE BLADES FALL WITHIN TOLERANCES INDICATED, THE ALLOWABLE WARPAGE IS INDEPENDENT OF THE BLADES & BECOMES A MEASUREMENT OF THE OUTSIDE SURFACE OF THE TAB-HOUSING & DOES NOT EFFECT THE MATING OF THIS TAB-HOUSING WITH 582151.
- MOUNTING HOLES.
- POST TO BE SOLDER DIPPED. CONN. MUST MEET REQUIREMENTS OF AMP SPEC 109-11-1.
- CONTACT MATL.; GILDING METAL. GOLD OVER NICKEL.
- TOLERANCE NON CUMULATIVE.
- TAB-HOUSING MATL.; DIALLYL PHTHALATE, GLASS FILLED PER MIL-M-14, TYPE S.D.G.-F. COLOR; GREEN.
- CUT OUT FOR KEYING BOSS, LOCATED WHERE REQD. (OPTIONAL)
- FROM EDGE OF P.C. BOARD TO FACE OF TAB-HOUSING.
- FIRST & LAST CONTACT POSITION TO BE MARKED IN AREA SHOWN. SEE TABLE.
- FOR SUPPLEMENTAL SPECIFICATIONS SEE AMP SPEC 108-9009.
- MARK AMP, TE PART NO. & DATE CODE IN THIS APPROX. AREA.

THIS DRAWING IS A CONTROLLED DOCUMENT.		DIN W. LEUFERT 26-JAN-05	Tyco Electronics Corporation Harrisburg, Pa 17105-3608	
DIMENSIONS: INCHES		CHK J.E. WARNER 14-MAR-91	NAME ASSEMBLY, AMP BLADE TAB HOUSING	
TOLERANCES UNLESS OTHERWISE SPECIFIED:		APVD J.E. WARNER 14-MAR-91	PRODUCT SPEC	
0. PLC ± -		APPLICATION SPEC		
1. PLC ± -		SIZE A1		
2. PLC ± -		CAGE CODE 00779		
3. PLC ± .005 [0.13]		DRAWING NO. 582390		
4. PLC ± -		RESTRICTED TO		
ANGLES ± -		WEIGHT		
FINISH		CUSTOMER DRAWING		
SEE NOTES		SCALE 4:1 SHEET 2 OF 2 REV P		

X-ON Electronics

Largest Supplier of Electrical and Electronic Components

Click to view similar products for [Standard Card Edge Connectors](#) category:

Click to view products by [TE Connectivity](#) manufacturer:

Other Similar products are found below :

[6565204-6](#) [PKC-156](#) [1437274-4](#) [147889-1](#) [1489165-4](#) [1-582587-1](#) [1-582589-1](#) [2-6437275-9](#) [284-0102-12100](#) [306022901000000](#) [307-012-502-202](#) [307-024-526-201](#) [307-056-520-300](#) [307-080-526-208](#) [245-062-520-350](#) [287-0032-12101](#) [306-028-525-102](#) [306-240-318](#) [307-036-502-202](#) [307-036-521-301](#) [307-072-526-202](#) [345-060-559-303](#) [368-004-520-201](#) [392-008-559-201](#) [534671-1](#) [5-530501-5](#) [341-240-317](#) [345-029-520-300](#) [345-030-500-301](#) [345-044-500-300](#) [345-220-058](#) [346-240-318](#) [357-030-526-201](#) [387-012-523-300](#) [395-044-520-300](#) [395-100-524-300](#) [50-12B-10](#) [50-6SN-5](#) [09-07-2032](#) [10035388-106LF](#) [10035388-802LF](#) [10122859-009LF](#) [530555-1](#) [EBT156-15A2X](#) [2007209-1](#) [5-678046-1](#) [1766200-1](#) [650231-6](#) [650289-1](#) [73726-0005](#)