

P	LTR	DESCRIPTION	DATE	DWN	APVD
A		GTP ECN-23-225331	08AUG2023	SM	RB
A1		LABEL UPDATED	01FEB2024	SS	AOW

TECHNICAL DATA

ENVIRONMENTAL CHARACTERISTICS:
 TEMPERATURE RANGE.....-40°C TO +85°C
 SEALING.....IP67 / ISO 20653
 VIBRATION.....4.12GRMS / 10-2000Hz
 SHOCK G-LEVEL......6G/11msec (NO MICRO CUTS)
50G/11msec (NO PHYSICAL DAMAGE)
 WEIGHT.....~175g / 0.38 POUND

ELECTRICAL CHARACTERISTICS:
 MIN. ISULATION RESISTANCE, INITIAL.....100MOHM
 DIELECTRIC WITHSTANDING VOLTAGE.....2800VAC -1min
 MAX. CONTACT DROP DURING RESISTIVE LOAD.....150mV
 DUTY RATING.....250A-

OVERLOAD (CARRYING).....500A-180sec
1000A-30sec

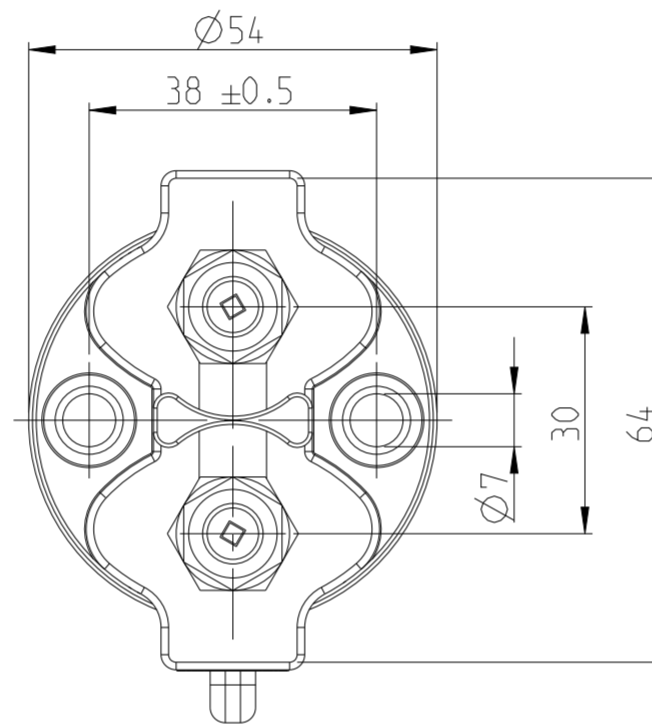
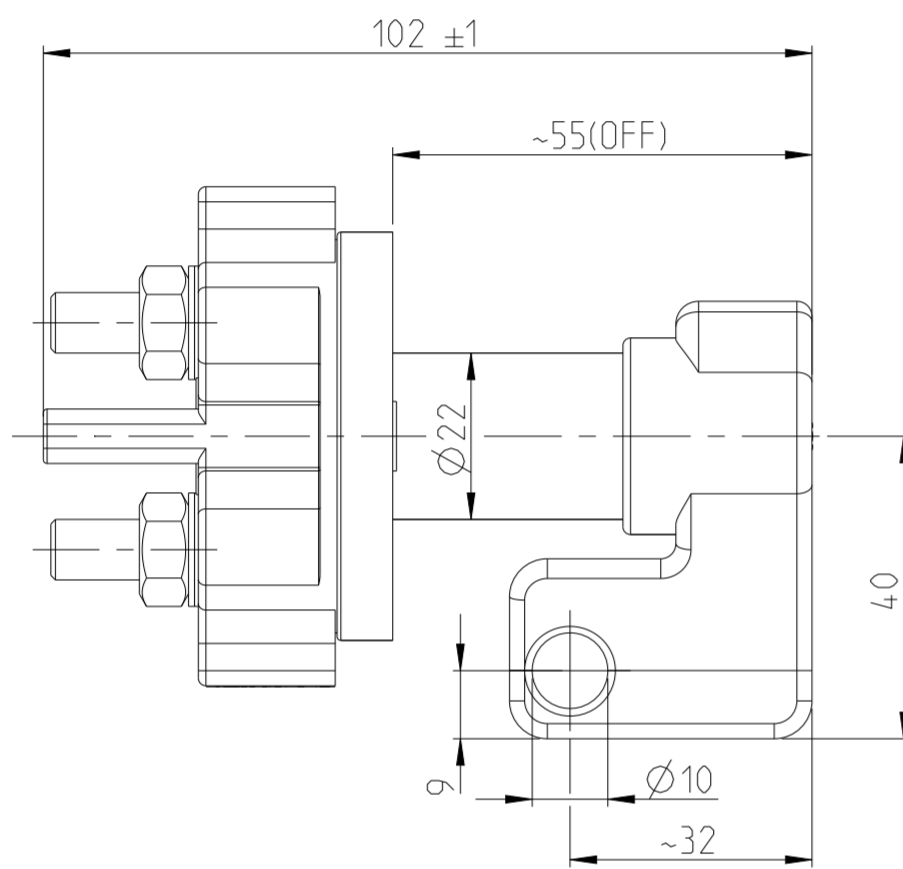
SWITCHING CYCLES POSSIBLE:
 MECHANICAL (MECHANICAL NO ELECTRICAL LOAD)..... 10000 CYCLES
 910VDC/1A..... 5000 CYCLES
 1.5s ON (SWITCHED ON WITH LOAD) AND 30s OFF (SWITCHED OFF WITHOUT LOAD)

80VDC / 200A..... 100 CYCLES
 80VDC / 300A..... 10 CYCLES
 910VDC / 200A..... 1 CYCLE
 SWITCH MUST BE REPLACED AFTERWARDS!
 OTHER VOLTAGE/AMPERAGE COMBINATIONS HAVE NOT BEEN TESTED.

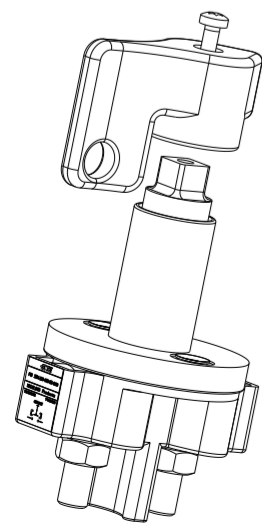
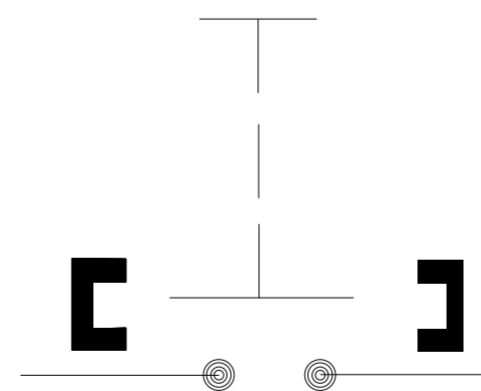
MAX VOLTAGE 1000VDC

OPERATING ALTITUDE.....-610 TO +3600 METERS
 SWITCHING ALTITUDE (ON/OFF).....MAX. +1500 METERS

GENERAL CHARACTERISTICS:
 CASE MATERIAL.....PA GF BLACK
 SWITCH LEVER MATERIAL.....PA GF ORANGE RAL 2003
 WIRE SECTION (AT NOMINAL LOAD).....MIN. 70 mm²
 SWITCH LEVER.....NOT REMOVEABLE
 MAX TORQUE (MAIN CONTACTS).....12-13Nm
 MAX. OPERATING TORQUE SWITCH LEVER.....1Nm



CIRCUIT



ISO 1:2

NOTES
Bemerkungen

- 1 TE-CONNECTIVITY ORDER-NUMBER
- 2 ATTENTION: NOT SWITCHABLE UNDER FULL LOAD!
- 3 DESGN OF THE SWITCH IS ACCORDING TO DIN EN 60664-1 (ASSUMED MAX. RATED IMPULSE VOLTAGE 4kV)

THIS DRAWING IS A CONTROLLED DOCUMENT.		DWN K. SEFGER 30NOV2020	K1167328 / 1 A1 BATTERY DISCONNECTOR Batterietrennschalter		175	1
DIMENSIONS: mm		CHK A.O. WALZ 15JUN2023	TE ORDER_NO.		REV.	ITEM NO.
TOLERANCES UNLESS OTHERWISE SPECIFIED: DIN ISO 2867 cL		APVD U. GRINDEMANN 28JUL2023	DESCRIPTION		WEIGHT (g)	
0 PLC ± 1 PLC ± 2 PLC ± 3 PLC ± 4 PLC ±		PRODUCT SPEC	NAME		RESTRICTED TO	
MATERIAL		APPLICATION SPEC	BATTERY DISCONNECTOR Batterietrennschalter		-	
ANGLES ± FINISH		WEIGHT	SIZE	CAGE CODE	DRAWING NO.	
		CUSTOMER DRAWING	A2	00779	C-35H-210-051-0R-900	
		SCALE	1:1	SHEET	1 OF 1	REV A1

X-ON Electronics

Largest Supplier of Electrical and Electronic Components

Click to view similar products for [Disconnect Switches](#) category:

Click to view products by [TE Connectivity](#) manufacturer:

Other Similar products are found below :

[08094500](#) [35-210-051-R-900](#) [35-301](#) [35-314-131-R-901](#) [35H-210-000-OR-900](#) [35H-210-051-OR-900](#) [35H-411-0100-OR2100001](#) [35H-511-0100-OR2100001](#) [35H-511-0100-OR210-902](#) [3LD2013-1TL51](#) [3LD2022-0TK11](#) [3LD2022-1TL11](#) [3LD2030-0TK11](#) [3LD20541TP51](#) [3LD20640TB510US2](#) [3LD20641GP510US2](#) [3LD2103-0TK51](#) [3LD2103-1TP51](#) [3LD2154-0TK51](#) [3LD21641GP510US2](#) [3LD2203-0TK51](#) [3LD2203-1TL51](#) [3LD22171TL11](#) [3LD2230-0TK11](#) [3LD2250-0TK11](#) [3LD2254-0TK51](#) [3LD22640TB510US2](#) [3LD22641GP510US2](#) [3LD2418-0TK11](#) [3LD2504-0TK51](#) [3LD2514-0TK51](#) [3LD2530-0TK11](#) [3LD2714-0TK51](#) [3LD3054-0TL51](#) [3LD3254-0TK51](#) [3LD3254-0TL51](#) [3LD3448-0TL51](#) [3LD52000TK11](#) [3LD58200TK11](#) [75912](#) [75920](#) [75920-05](#) [75921-10](#) [880062](#) [BD1-1A1](#) [BD1-1A1/CAP](#) [BD1-1A2](#) [BDA10-RA](#) [BDB10-RA](#) [CCP2-1-30CC](#)