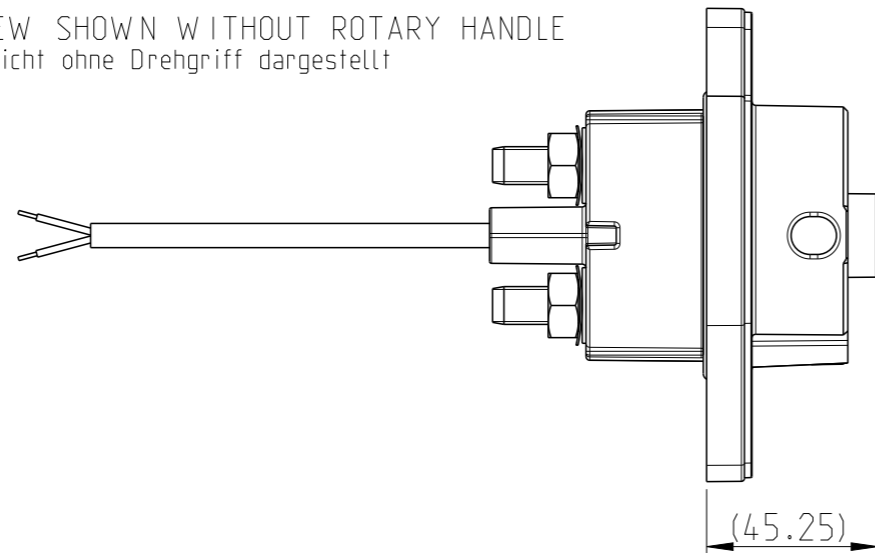


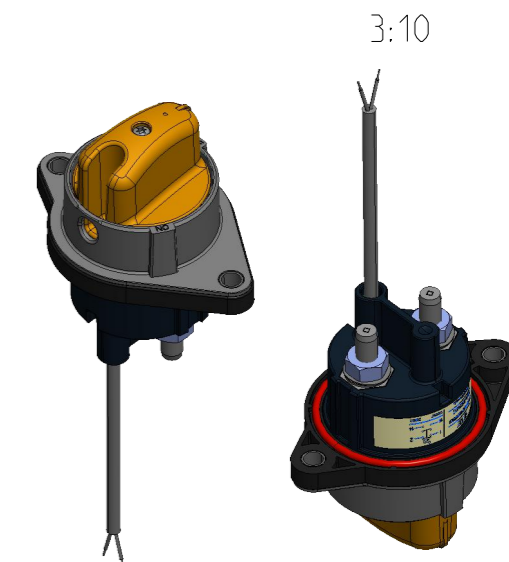
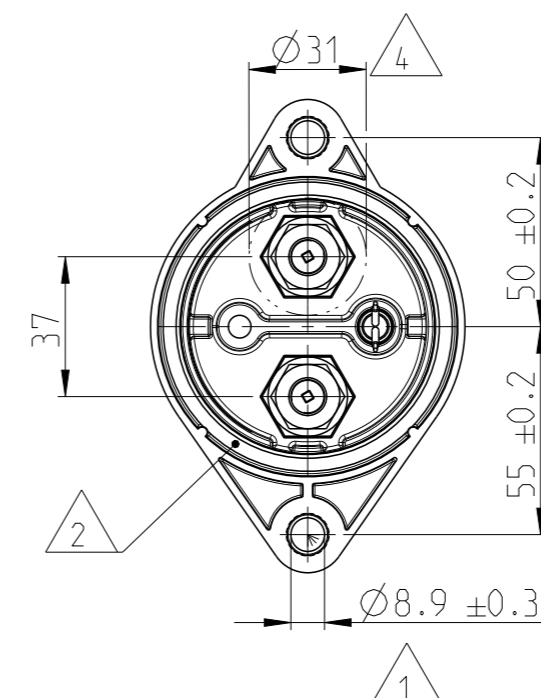
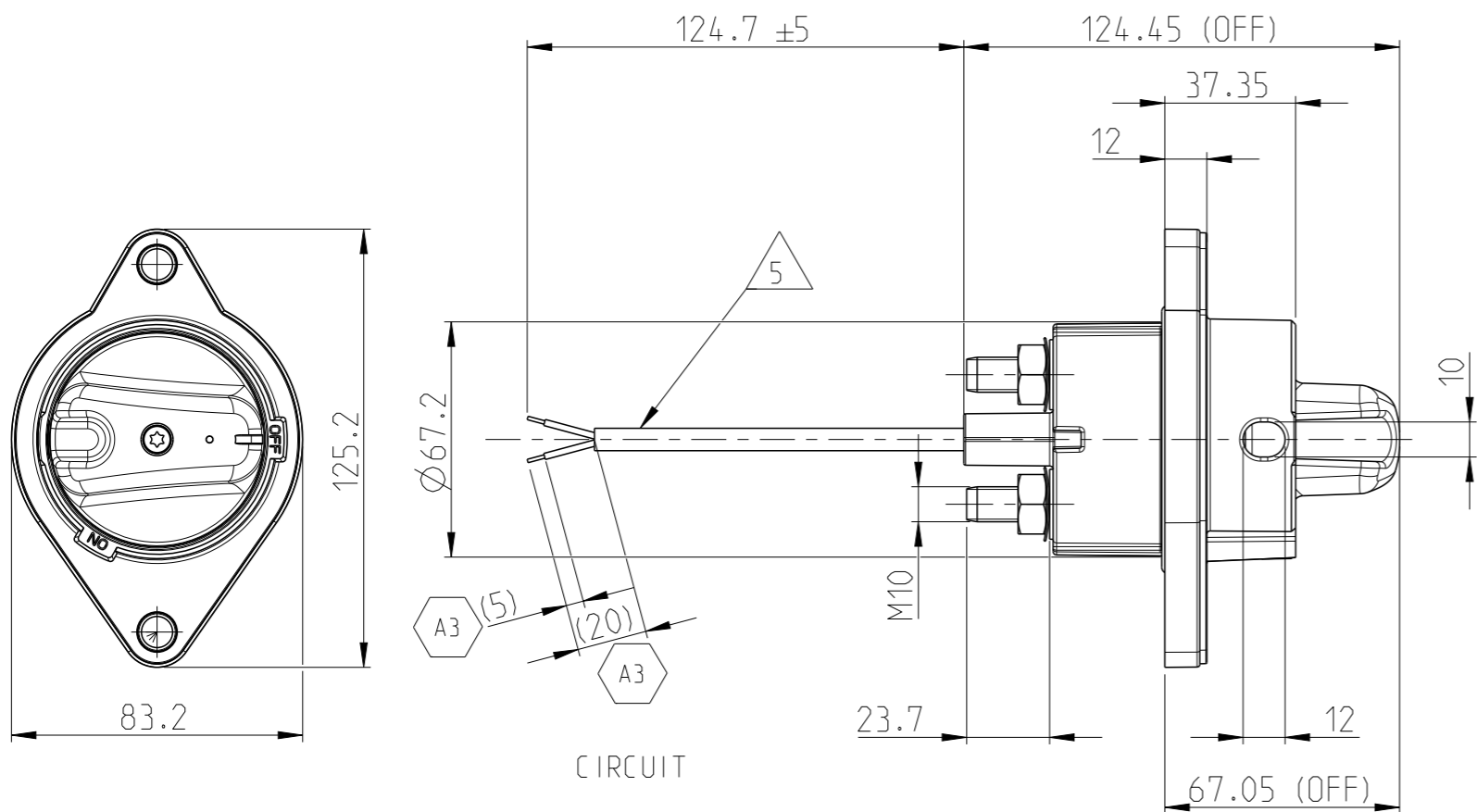
| P | LTR | DESCRIPTION | DATE | DWN | APVD |
|---|-----|---------------|-----------|-----|------|
| | A | NEW DRAWING | 23MAY2022 | AF | JH |
| | A1 | ECN-23-218637 | 22JUN2023 | AF | JH |
| | A2 | ECN-23-229558 | 30AUG2023 | AF | JH |
| | A3 | ECN-23-235704 | 18OCT2023 | AF | JH |

VIEW SHOWN WITHOUT ROTARY HANDLE
Ansicht ohne Drehgriff dargestellt



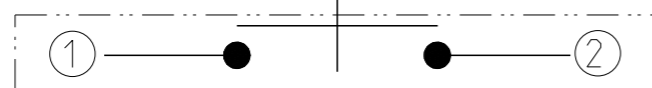
NOTES
Bemerkungen

- 1 TE-CONNECTIVITY ORDER-NUMBER
TE-Connectivity Bestellnummer
- 2 CHECK THE FIT OF THE O-RING BEFORE ASSEMBLY
Vor der Montage die korrekte Position des O-Rings kontrollieren
- 3 DO NOT SWITCH UNDER LOAD!
Nicht unter Last schalten!
- 4 MAXIMUM SPACE FOR THE CABLE LUG
Maximaler Freiraum für den Kabelschuh
- A3 5 HELUKABEL SiHF 2x0,75mm². OUTER DIAMETER 6,4mm. ART. NR. 23001
Helukabel SiHF 2x0,75mm². Außendurchmesser 6,4mm. Art. Nr. 23001

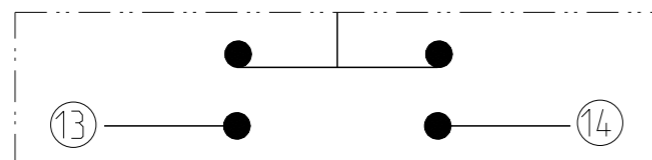


CIRCUIT

MAIN CONTACTS



AUXILIARY CONTACTS



HVIL

THIS DRAWING IS A CONTROLLED DOCUMENT.

| DIMENSIONS: | TOLERANCES UNLESS OTHERWISE SPECIFIED: |
|-------------|--|
| mm | DIN ISO 2768 cL |
| | 0 PLC ± |
| | 1 PLC ± |
| | 2 PLC ± |
| | 3 PLC ± |
| | 4 PLC ± |
| | ANGLES ± |
| MATERIAL | FINISH |
| - | - |

| | |
|------------------|-----------|
| DWN | 26APR2022 |
| A. FRITZ | |
| CHK | 04NOV2022 |
| A. O. WALZ | |
| APVD | 10NOV2022 |
| J. HOFFMANN | |
| PRODUCT SPEC | 108-94883 |
| APPLICATION SPEC | 114-94778 |
| WEIGHT | - |
| CUSTOMER DRAWING | |

| | | | | | | |
|--|-----------|------------------------|---------------|-------------------------|---------|--------|
| K5000038 | | A | 1 | BATTERY DISCONNECTOR HV | 435 | 1 |
| TE ORDER-NO. | REV. | QTY. | DESCRIPTION | WEIGHT [g] | ITEM NO | |
| | | | | | | |
| NAME HIGH VOLTAGE BATTERY DISCONNECTOR Hochvolt Batterietrennschalter | | | | | | |
| SIZE | CAGE CODE | DRAWING NO | RESTRICTED TO | | | |
| A3 | 00779 | 35H-511-0100-OR2100001 | - | | | |
| SCALE 1:2 | | | | SHEET 1 OF 1 | | REV A3 |

X-ON Electronics

Largest Supplier of Electrical and Electronic Components

Click to view similar products for [Disconnect Switches](#) category:

Click to view products by [TE Connectivity](#) manufacturer:

Other Similar products are found below :

[08094500](#) [35-210-051-R-900](#) [35-301](#) [35-314-131-R-901](#) [35H-210-000-OR-900](#) [35H-210-051-OR-900](#) [35H-411-0100-OR2100001](#) [35H-511-0100-OR2100001](#) [35H-511-0100-OR210-902](#) [3LD2013-1TL51](#) [3LD2022-0TK11](#) [3LD2022-1TL11](#) [3LD2030-0TK11](#) [3LD20541TP51](#) [3LD20640TB510US2](#) [3LD20641GP510US2](#) [3LD2103-0TK51](#) [3LD2103-1TP51](#) [3LD2154-0TK51](#) [3LD21641GP510US2](#) [3LD2203-0TK51](#) [3LD2203-1TL51](#) [3LD22171TL11](#) [3LD2230-0TK11](#) [3LD2250-0TK11](#) [3LD2254-0TK51](#) [3LD22640TB510US2](#) [3LD22641GP510US2](#) [3LD2418-0TK11](#) [3LD2504-0TK51](#) [3LD2514-0TK51](#) [3LD2530-0TK11](#) [3LD2714-0TK51](#) [3LD3054-0TL51](#) [3LD3254-0TK51](#) [3LD3254-0TL51](#) [3LD3448-0TL51](#) [3LD52000TK11](#) [3LD58200TK11](#) [75912](#) [75920](#) [75920-05](#) [75921-10](#) [880062](#) [BD1-1A1](#) [BD1-1A1/CAP](#) [BD1-1A2](#) [BDA10-RA](#) [BDB10-RA](#) [CCP2-1-30CC](#)