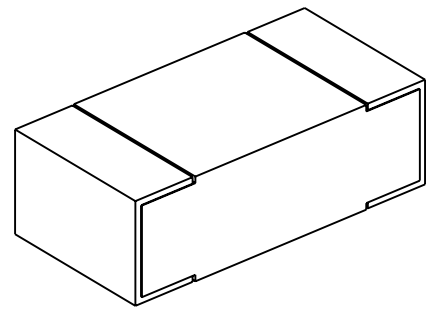


|     |      |           |     |             |           |     |      |
|-----|------|-----------|-----|-------------|-----------|-----|------|
| LOC | DIST | REVISIONS |     |             |           |     |      |
| E   | B    | P         | LTR | DESCRIPTION | DATE      | DWN | APVD |
|     |      |           | BA  | NEW RELEASE | 14-NOV-08 | SM  | St.P |

FOR FURTHER INFORMATION SEE DATA SHEET FOR  
3640 SERIES-HIGH FREQUENCY INDUCTORS SMD



RoHS Compliant



2008

RELEASED FOR PUBLICATION

THIS DRAWING IS UNPUBLISHED.

BY TYCO ELECTRONICS CORPORATION. ALL RIGHTS RESERVED.



|  |                  |           |  |           |             |               |
|--|------------------|-----------|--|-----------|-------------|---------------|
| DIMENSIONS:<br>mm                      | DWN              | 14-NOV-08 | MATERIAL   | -         | FINISH      | -             |
|  | CHK              | 14-NOV-08 | Tyco Electronics Corporation<br>Dorcan, Swindon, SN3 5HH |           |             |               |
| TOLERANCES UNLESS OTHERWISE SPECIFIED: | APVD             | 14-NOV-08 |  |           |             |               |
| 0 PLC $\pm 0.2$                        | STEPHEN.P        |           | NAME<br>HIGH FREQUENCY INDUCTORS SMD<br>SERIES 3640 0402 |           |             |               |
| 1 PLC $\pm 0.1$                        | PRODUCT SPEC     | -         |  |           |             |               |
| 2 PLC $\pm$                            | APPLICATION SPEC | -         | SIZE   | CAGE CODE | DRAWING NO  | RESTRICTED TO |
| 3 PLC $\pm$                            |                  |           | A 4  | 00779     | © = 1624108 | -             |
| 4 PLC $\pm$                            | WEIGHT           | -         | CUSTOMER DRAWING   |           |             |               |
| ANGLES $\pm 5^\circ$                   |                  |           | SCALE  | 50:1      | SHEET       | 1 OF 1        |
|  |                  |           | REV BA   |           |             |               |

## X-ON Electronics

Largest Supplier of Electrical and Electronic Components

*Click to view similar products for [Fixed Inductors](#) category:*

*Click to view products by [TE Connectivity](#) manufacturer:*

Other Similar products are found below :

[CR43NP-680KC](#) [CR54NP-820KC](#) [CR54NP-8R5MC](#) [CTX32CT-100](#) [70F224AI](#) [MGDQ4-00004-P](#) [MHL1ECTTP18NJ](#) [MHL1JCTTD12NJ](#)  
[PE-51506NL](#) [PE-53601NL](#) [PE-53602NL](#) [PE-53630NL](#) [PE-53824SNLT](#) [PE-92100NL](#) [PG0434.801NLT](#) [PG0936.113NLT](#) [9310-16](#) [PM06-2N7](#) [PM06-39NJ](#) [A01TK](#) [1206CS-471XJ](#) [HC2-2R2TR](#) [HC2LP-R47-R](#) [HC3-2R2-R](#) [1206CS-151XG](#) [RCH664NP-140L](#) [RCH664NP-4R7M](#)  
[RCH8011NP-221L](#) [RCP1317NP-332L](#) [RCP1317NP-391L](#) [RCR1010NP-470M](#) [RCR110DNP-331L](#) [DH2280-4R7M](#) [DS1608C-106](#) [ASPI-4020HI-R10M-T](#) [B10TJ](#) [B82477P4333M](#) [B82498B3101J000](#) [B82498B3680J000](#) [ELJ-RE27NJF2](#) [1812CS-153XJ](#) [1812CS-183XJ](#) [1812CS-223XJ](#) [1812LS-104XJ](#) [1812LS-105XJ](#) [1812LS-124XJ](#) [1812LS-154XJ](#) [1812LS-223XJ](#) [1812LS-224XJ](#) [1812LS-563XJ](#)