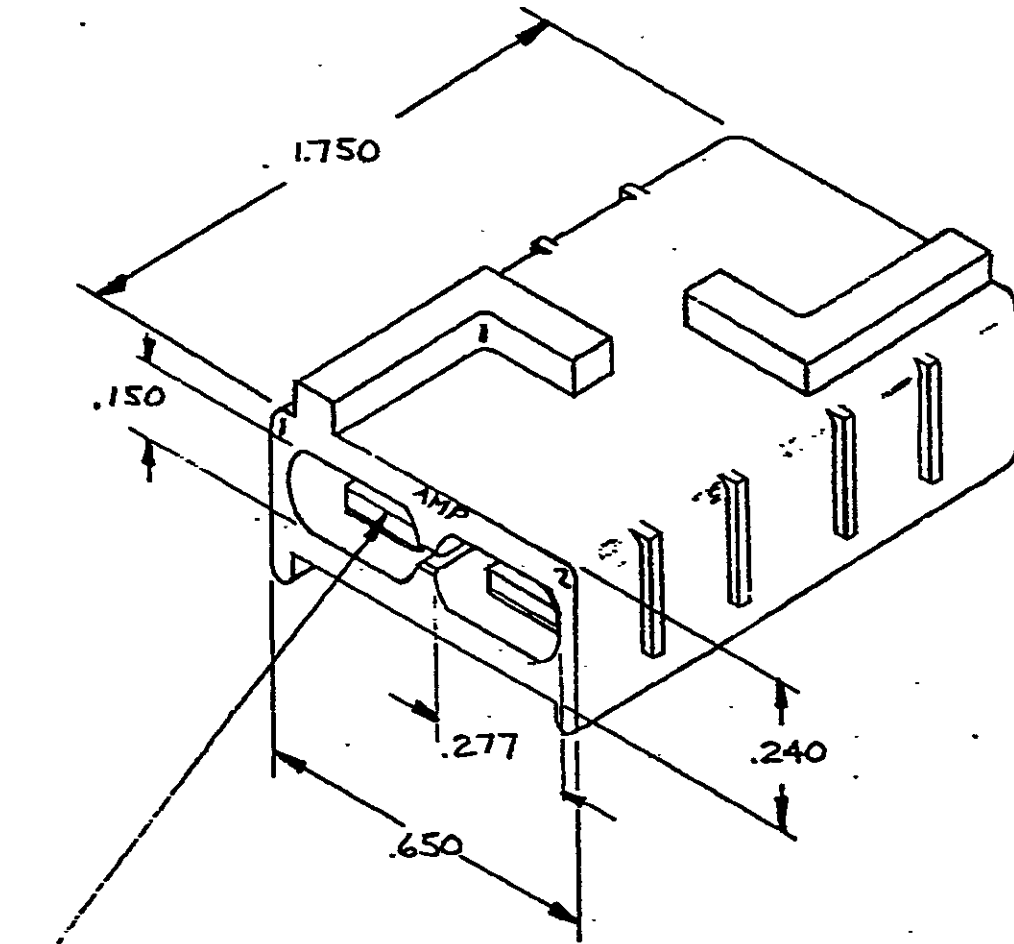


DRAWING MADE IN AMERICAN PROJECTION

NUMBER 360025

360025-1 WAS P72-7343-1

360025-1



"187" SERIES TAB - (4 PLACES)
.020 THICK

| PART NO. | COLOR | TEMP RATING |
|----------|---------|-------------|
| 360025-1 | NATURAL | 105°C |
| 360025-2 | BLACK | 150°C |

DIMENSIONS IN INCHES. DO NOT SCALE PRINT.

Unpublished copy not to be reproduced nor published without written permission of AMP Incorporated.

© 1973 BY AMP INCORPORATED. ALL RIGHTS RESERVED. AMP PRODUCTS COVERED BY PATENTS AND/OR PATENTS PENDING.

CUSTOMER COPY REFERENCE ONLY

MATERIAL AND FINISH



AMP INCORPORATED
HARRISBURG, PENNA.

| | | | |
|-----|------------------|--------|----------------|
| C | REV/0720-0269-93 | LO ME | 6/93 |
| B | ADDED P/B | A-4126 | BY/DATE 1/4/79 |
| A | REVISED | A-2701 | LE/DATE 2-2-78 |
| LTR | REVISION RECORD | ECN | DATE |

WIRE — RANGE — INSULATION

CLASS — 4 —

TYPE — 170 MAX

TOLERANCE EXCEPT AS NOTED ± .015 ± 1° 0'

SCALE —

LOC **G** NO **A** 360025 REV **C**

DATE 7-4-73 DE LK ESPENSHADE
CHK APP 7-29-73

NAME "187" SERIES CABLE MOUNTED COMMONING BLOCK ASSEMBLY

X-ON Electronics

Largest Supplier of Electrical and Electronic Components

Click to view similar products for [Terminals](#) category:

Click to view products by [TE Connectivity](#) manufacturer:

Other Similar products are found below :

[00-054007-01074-6](#) [00-054007-70206-1](#) [00-054007-70210-8](#) [00-054007-70217-7](#) [00-054007-70226-9](#) [00-054007-70228-3](#) [00-054007-70248-1](#) [00-054007-70256-6](#) [00-054007-70301-3](#) [00-054007-70316-7](#) [0-0320562-0](#) [00-054007-49560-4](#) [00-054007-70209-2](#) [00-054007-70225-2](#) [00-054007-70227-6](#) [00-054007-70231-3](#) [00-054007-70241-2](#) [00-054007-70242-9](#) [00-054007-70244-3](#) [00-054007-70246-7](#) [00-054007-70263-4](#) [00-054007-70288-7](#) [00-054007-70290-0](#) [00-054007-70300-6](#) [00-054007-70304-4](#) [01-2065-1-0216](#) [01-2900-1-04412](#) [00581P0075](#) [600TS-10](#) [60205-1](#) [604200-1](#) [605601-1](#) [60598-1-CUT-TAPE](#) [61314-6-C](#) [61810-3](#) [61-S](#) [61-SN](#) [626-0194](#) [62-NBM-A](#) [62-SN](#) [62-SP](#) [63-S](#) [640179-1](#) [M55155/059I03](#) [M55155/079C01](#) [M55155/099H02](#) [M55155/109H01](#) [M55155/109H02](#) [M55155/12XH05](#) [M55155/16XH02](#)