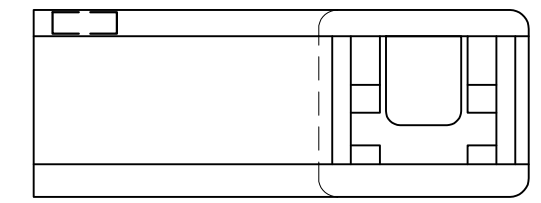
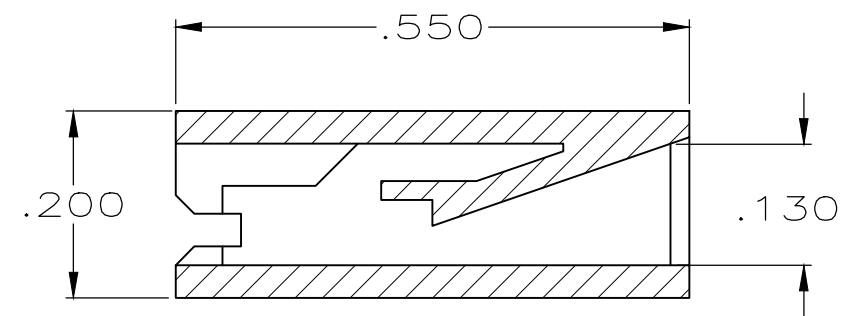
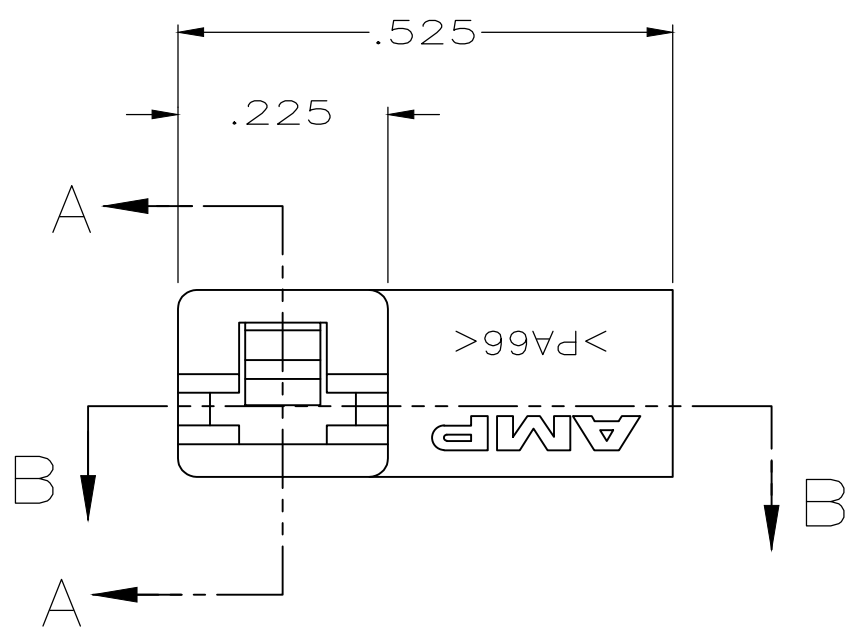
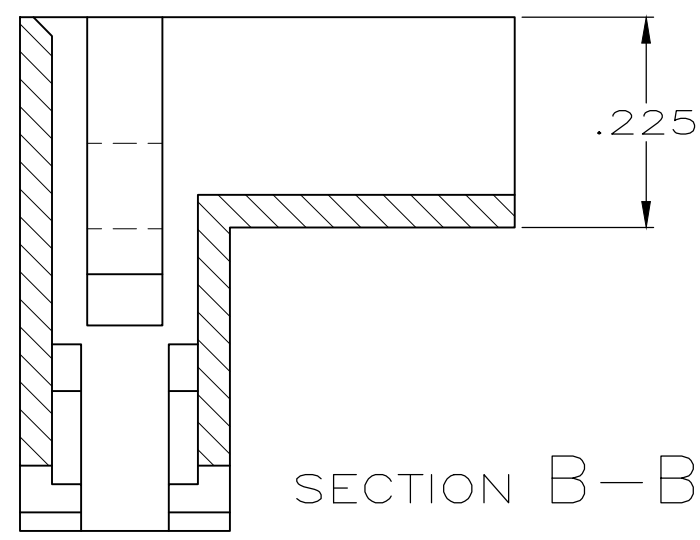


DRAWING MADE IN THIRD ANGLE PROJECTION

THIS DRAWING IS UNPUBLISHED. RELEASED FOR PUBLICATION ,19 .  
 © COPYRIGHT 19 BY AMP INCORPORATED. ALL INTERNATIONAL RIGHTS RESERVED.

LOC	DIST	P	F	REVISIONS			
ZONE	LTR	DESCRIPTION	DATE	APPD			
AF	50			D1	REVISED PER ECR-19-009702	26AUG2019	BDA/DS



- 1 TO BE USED WITH TERMINAL #61070.
- 2 THIS PRODUCT HAS NOT COMPLETED VALIDATION TESTING AGENCY CERTIFICATION PENDING
- 3 PRELIMINARY PART

MATERIAL	PART NO
NYLON V0	360040-2
NYLON V2	360040-1

DO NOT SCALE PRINT. UNLESS SPECIFIED DIMENSIONS ARE IN INCHES. TOLERANCES ON: 2 PLC DEC ± - 3 PLC DEC ± .015 ANGLES ± -		DR 2/4/91 JR RUTH	<b>TE</b> TE Connectivity	
MATERIAL 6/6 NYLON		CHK 2/4/91 P FORTNEY		
FINISH NATURAL		APPD 2/4/91 C MEYERS	NAME HOUSING, FASTON™ .110 SERIES	
MATERIAL 6/6 NYLON		APPD 2/4/91 D REINER	SIZE B	CAGE CODE 00779
FINISH NATURAL		PRODUCT SPEC -	DRAWING NO 360040	
FINISH NATURAL		APPLICATION SPEC -	SCALE 5:1	SHEET 1 OF 1
FINISH NATURAL		WEIGHT -	SHEET 1 OF 1	

## X-ON Electronics

Largest Supplier of Electrical and Electronic Components

*Click to view similar products for [Terminals](#) category:*

*Click to view products by [TE Connectivity](#) manufacturer:*

Other Similar products are found below :

[00-054007-01074-6](#) [00-054007-70206-1](#) [00-054007-70210-8](#) [00-054007-70217-7](#) [00-054007-70226-9](#) [00-054007-70228-3](#) [00-054007-70248-1](#) [00-054007-70256-6](#) [00-054007-70301-3](#) [00-054007-70316-7](#) [0-0320562-0](#) [00-054007-49560-4](#) [00-054007-70209-2](#) [00-054007-70225-2](#) [00-054007-70227-6](#) [00-054007-70231-3](#) [00-054007-70241-2](#) [00-054007-70242-9](#) [00-054007-70244-3](#) [00-054007-70246-7](#) [00-054007-70263-4](#) [00-054007-70288-7](#) [00-054007-70290-0](#) [00-054007-70300-6](#) [00-054007-70304-4](#) [01-2065-1-0216](#) [01-2900-1-04412](#) [00581P0075](#) [600TS-10](#) [60205-1](#) [604200-1](#) [605601-1](#) [60598-1-CUT-TAPE](#) [61314-6-C](#) [61810-3](#) [61-S](#) [61-SN](#) [626-0194](#) [62-NBM-A](#) [62-SN](#) [62-SP](#) [63-S](#) [640179-1](#) [M55155/059I03](#) [M55155/079C01](#) [M55155/099H02](#) [M55155/109H01](#) [M55155/109H02](#) [M55155/12XH05](#) [M55155/16XH02](#)