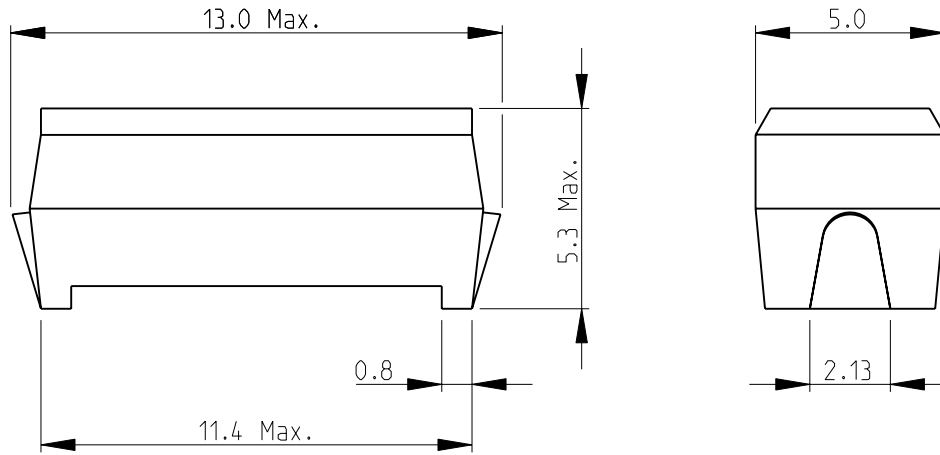


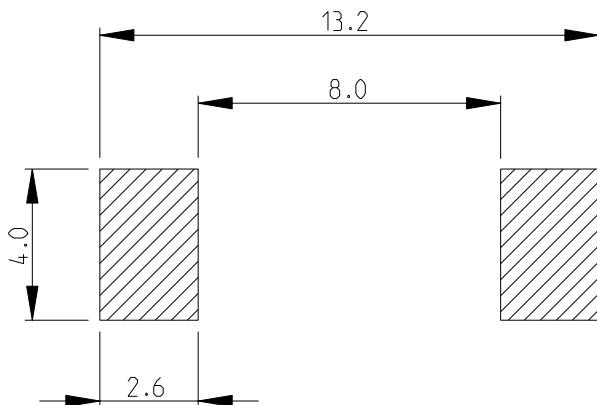
| LOC | DIST | REVISIONS   |                           |           |           |
|-----|------|-------------|---------------------------|-----------|-----------|
| P   | LTR  | DESCRIPTION | DATE                      | DWN       | APVD      |
| E   | B    | BA1         | REVISED PER ECO-11-005150 | 28MAR2011 | RK<br>HMR |
|     |      |             |                           |           |           |
|     |      |             |                           |           |           |



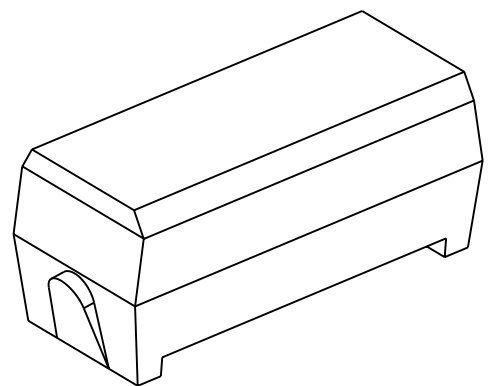
1 PACKAGING: SUPPLIED TAPED AND REELED ON 13" REELS IN QUANTITIES OF 1500 PIECES

2 FOR FURTHER INFORMATION SEE DATA SHEET FOR 3615 SERIES-HIGH CURRENT INDUCTOR SMD

RECOMMENDED LAND PATTERN



RoHS Compliant



2008


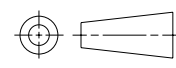
RELEASED FOR PUBLICATION

ALL RIGHTS RESERVED.

THIS DRAWING IS UNPUBLISHED.

BY -

© COPYRIGHT 2008

|   |                  |           |  |           |              |               |
|---|------------------|-----------|--|-----------|--------------|---------------|
| DIMENSIONS:<br>mm   | DWN              | 13-NOV-08 | MATERIAL   | FINISH    |              |               |
|   | SUBHASH.M        |           | -  | -         |              |               |
| TOLERANCES UNLESS OTHERWISE SPECIFIED:  | CHK              | 13-NOV-08 |  TE Connectivity |           |              |               |
|   | CHK              |           |  |           |              |               |
| 0 PLC ±0.2<br>1 PLC ±0.1<br>2 PLC ±<br>3 PLC ±<br>4 PLC ±<br>ANGLES ±5°             | APVD             | 13-NOV-08 | NAME<br>HIGH CURRENT INDUCTOR SMD<br>SERIES 3615   |           |              |               |
|   | STEPHEN.P        |           |  |           |              |               |
|  | PRODUCT SPEC     |           | SIZE   | CAGE CODE | DRAWING NO   | RESTRICTED TO |
|   | APPLICATION SPEC |           | A 4  | 00779     | ©- 1624097   | -             |
| WEIGHT 0.7g max.  |                  |           | SCALE 5:1  |           | SHEET 1 OF 1 | REV BA1       |
| CUSTOMER DRAWING  |                  |           |  |           |              |               |

## X-ON Electronics

Largest Supplier of Electrical and Electronic Components

*Click to view similar products for [Fixed Inductors](#) category:*

*Click to view products by [TE Connectivity](#) manufacturer:*

Other Similar products are found below :

[CR43NP-680KC](#) [CR54NP-820KC](#) [CR54NP-8R5MC](#) [CTX32CT-100](#) [70F224AI](#) [MGDQ4-00004-P](#) [MHL1ECTTP18NJ](#) [MHL1JCTTD12NJ](#)  
[PE-51506NL](#) [PE-53601NL](#) [PE-53602NL](#) [PE-53630NL](#) [PE-53824SNLT](#) [PE-92100NL](#) [PG0434.801NLT](#) [PG0936.113NLT](#) [9310-16](#) [PM06-2N7](#) [PM06-39NJ](#) [A01TK](#) [1206CS-471XJ](#) [HC2-2R2TR](#) [HC2LP-R47-R](#) [HC3-2R2-R](#) [1206CS-151XG](#) [RCH664NP-140L](#) [RCH664NP-4R7M](#)  
[RCH8011NP-221L](#) [RCP1317NP-332L](#) [RCP1317NP-391L](#) [RCR1010NP-470M](#) [RCR110DNP-331L](#) [DH2280-4R7M](#) [DS1608C-106](#) [ASPI-4020HI-R10M-T](#) [B10TJ](#) [B82477P4333M](#) [B82498B3101J000](#) [B82498B3680J000](#) [ELJ-RE27NJF2](#) [1812CS-153XJ](#) [1812CS-183XJ](#) [1812CS-223XJ](#) [1812LS-104XJ](#) [1812LS-105XJ](#) [1812LS-124XJ](#) [1812LS-154XJ](#) [1812LS-223XJ](#) [1812LS-224XJ](#) [1812LS-563XJ](#)