

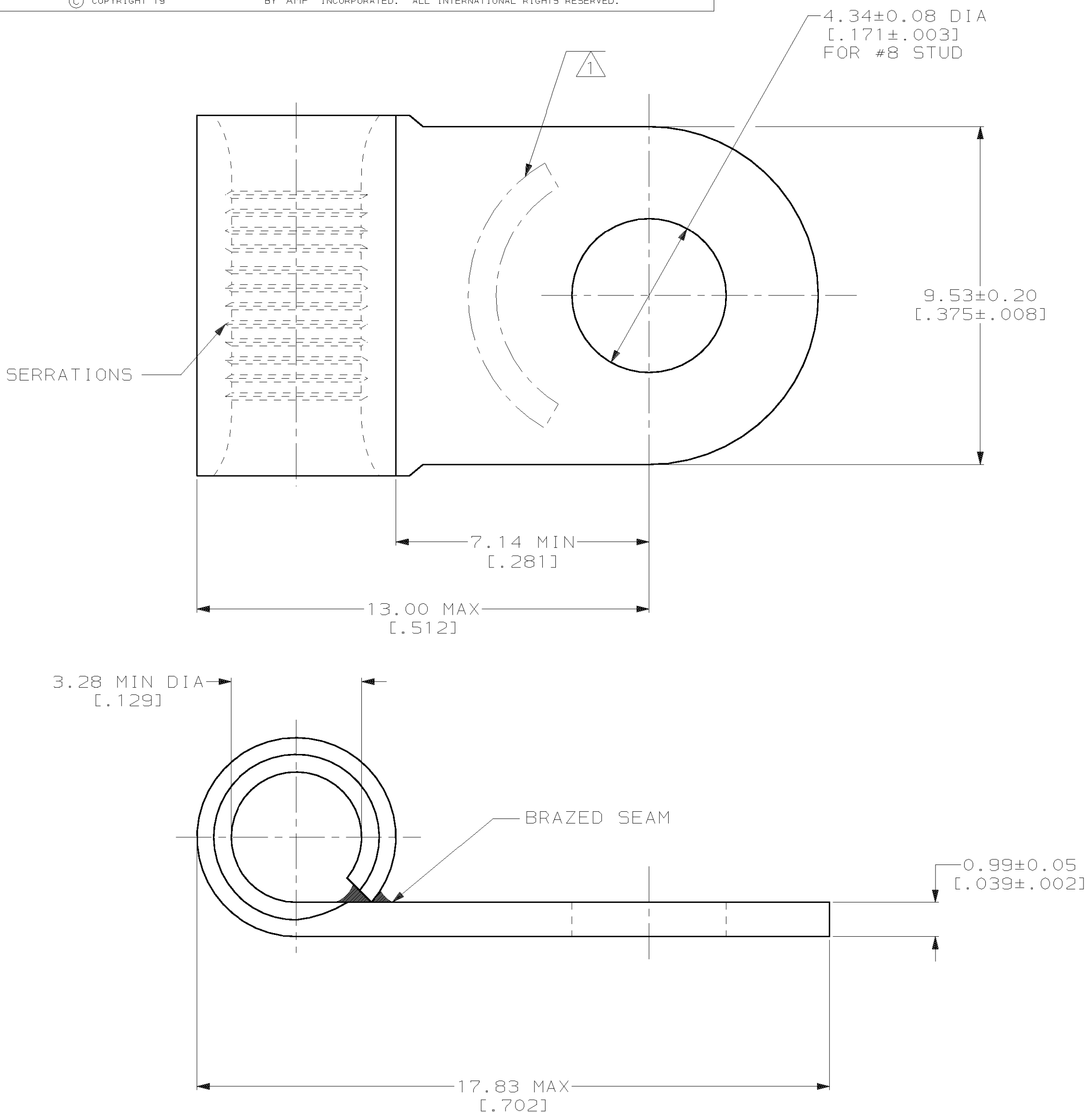
THIS DRAWING IS UNPUBLISHED. RELEASED FOR PUBLICATION
 © COPYRIGHT 19 BY AMP INCORPORATED. ALL INTERNATIONAL RIGHTS RESERVED.

| LOC | DIST | P | F | ZONE | LTR | DESCRIPTION | DATE | APPD |
|-----|------|---|---|------|-----|----------------------|---------|-------|
| G | 14 | | | | G | REL PER 0G3A-0075-01 | 28JAN01 | JR/MS |

METRIC
 DIMENSIONS LISTED IN mm [INCHES]

| | |
|--|-------------------------------------|
| AMP WIRE RANGE | UL E13288 Listed |
| 12-10 AWG SOLID OR STRANDED | 12-10 AWG STRANDED PN 36270 ONLY |
| CS LR7189 Certified | MILITARY P/N AND CLASS |
| 12-10 AWG SOLID OR STRANDED PN 36270 ONLY | NOT APPLICABLE |

△ STAMP AMP 12-10* APPROX AS SHOWN



| | | |
|---------------------------|---|-----------|
| 343°C | NICKEL PLATE 0.00762[.000300] MIN THK PER QQ-N-290 | 1-36270-1 |
| 170°C | TIN PLATE 0.00254[.000100] MIN THK PER ASTM B 545 | 36270 |
| MAX OPERATING TEMPERATURE | FINISH | PART NO |

AMP INCORPORATED
CUSTOMER SERVICE SYSTEMS

| | |
|--|--|
| FOR ADDITIONAL PRODUCT INFORMATION OR COPIES OF DRAWINGS AND TECHNICAL DOCUMENTS | PRODUCT INFORMATION CENTER 1-800-522-6752 |
| FOR APPLICATION TOOLING INFORMATION | TOOLING ASSISTANCE CENTER 1-800-722-1111 |
| FOR ORDER ENTRY | 1-800-526-5142 |

MAX RECOMMENDED OPERATING TEMPERATURE:
SEE TABLE

VOLTAGE RATING:
NOT APPLICABLE

WIRE CROSS SECTIONAL AREA RANGE:
2.62-6.64mm² [5,180-13,100] CIR MILS
SOLID OR STRANDED

THIS DRAWING IS A CONTROLLED DOCUMENT FOR AMP INCORPORATED. IT IS SUBJECT TO CHANGE AND THE CONTROLLING ENGINEERING ORGANIZATION SHOULD BE CONTACTED FOR THE LATEST REVISION.

DO NOT SCALE PRINT. UNLESS SPECIFIED DIMENSIONS IN mm [INCHES]— TOLERANCES ON :
 2 PLC DEC ± -
 3 PLC DEC ± -
 ANGLES ± -

MATERIAL
COPPER PER ASTM B-152 ANNEALED

FINISH
SEE TABLE

DR 4-5-93
TA BRINKMAN

CHK 4-5-93
DA PATTERSON

APPD 4-5-93
DE MILLER

APPD 4-5-93
JL MECKLEY

PRODUCT SPEC
-

APPLICATION SPEC
-

WEIGHT
-

AMP AMP Incorporated
 Harrisburg, PA 17105-3608

NAME
TERMINAL, RING TONGUE, FLAG, SOLISTRAND™

SIZE **C** CAGE CODE **00779** DRAWING NO **C-36270**

SCALE 10:1 SHEET 1 OF 1

X-ON Electronics

Largest Supplier of Electrical and Electronic Components

Click to view similar products for [Terminals](#) category:

Click to view products by [TE Connectivity](#) manufacturer:

Other Similar products are found below :

[00-054007-01074-6](#) [00-054007-70206-1](#) [00-054007-70210-8](#) [00-054007-70217-7](#) [00-054007-70226-9](#) [00-054007-70228-3](#) [00-054007-70248-1](#) [00-054007-70256-6](#) [00-054007-70301-3](#) [00-054007-70316-7](#) [00-054007-49560-4](#) [00-054007-70209-2](#) [00-054007-70225-2](#) [00-054007-70227-6](#) [00-054007-70231-3](#) [00-054007-70241-2](#) [00-054007-70242-9](#) [00-054007-70244-3](#) [00-054007-70246-7](#) [00-054007-70263-4](#) [00-054007-70288-7](#) [00-054007-70290-0](#) [00-054007-70300-6](#) [00-054007-70304-4](#) [01-2065-1-0216](#) [01-2900-1-04412](#) [00581P0075](#) [600TS-10](#) [60205-1](#) [604200-1](#) [605601-1](#) [60598-1-CUT-TAPE](#) [61314-6-C](#) [61810-3](#) [61-S](#) [61-SN](#) [626-0194](#) [62-NBM-A](#) [62-SN](#) [62-SP](#) [63-S](#) [640179-1](#) [M55155/059I03](#) [M55155/079C01](#) [M55155/099H02](#) [M55155/109H01](#) [M55155/109H02](#) [M55155/12XH05](#) [M55155/16XH02](#) [M55155/29-5S](#)